

Single Reduction
Worm Gear Reducers

Double Reduction
Worm - Worm Gear Reducers

Double Reduction
Helical - Worm Gear Reducers

WASHGUARD® Reducers
and GEAR-MOTOR™

Ratio Multipliers

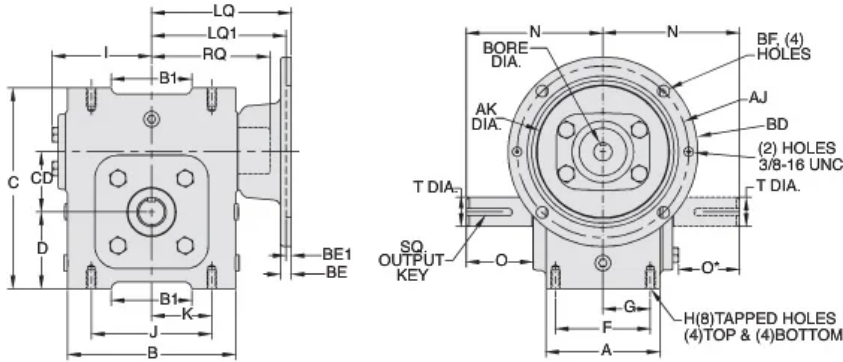
Accessories and
Additional Capabilities

ELECTRA-GEAR

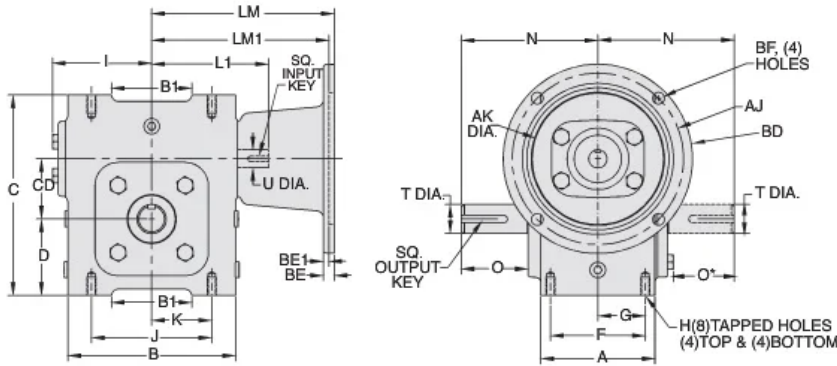
EL Series Dimensions

Styles: BMQ, BM, B

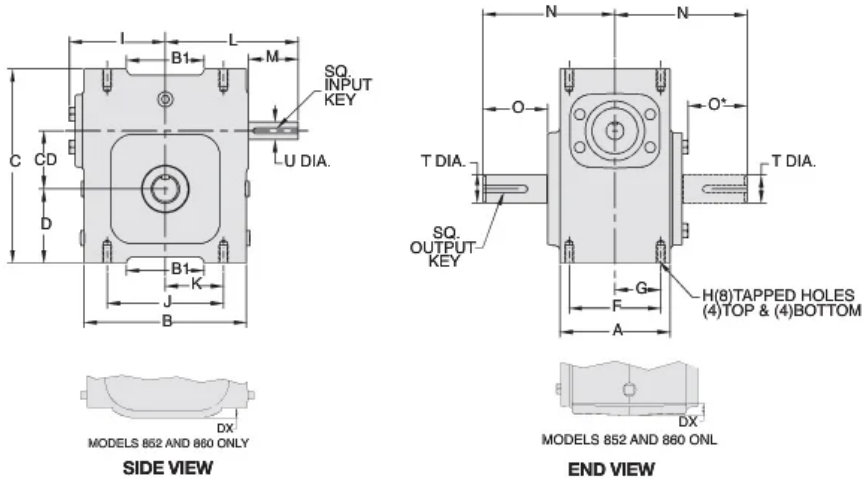
Style BMQ



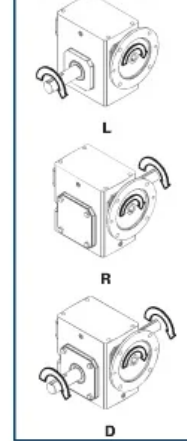
Style BM



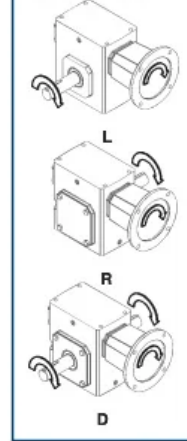
Style B



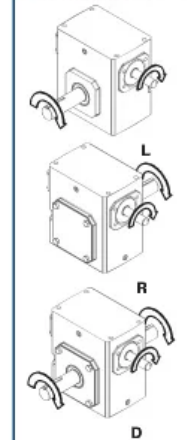
ASSEMBLIES



ASSEMBLIES



ASSEMBLIES



REVERSE ALL ARROWS FOR OPPOSITE INPUT SHAFT ROTATION. CONTACT FACTORY FOR OTHER MOUNTINGS OR ASSEMBLY POSITIONS.



ELECTRA-GEAR

EL Series Dimensions

Styles: BMQ, BM, B

Single Reduction
Worm Gear Reducers

STYLE BMQ, BM, B DIMENSIONS (Inches)

| Size | A | B | B1 | C | CD | D | DX | F | G | H | | I | J | K | L | M | N | O | D* | T +0.000 -0.0015 | U +0.000 -0.0015 | Input Key (Style B Only) | Input Key (Style BM only) | Output Key |
|-------|------|-------|------|-------|------|------|------|------|------|----------|-------|------|-------|------|-------|------|-------|------|------|------------------------|------------------------|-----------------------------|------------------------------|-------------|
| | | | | | | | | | | Top Size | Depth | | | | | | | | | | | | | |
| EL813 | 2.82 | 3.80 | -- | 4.66 | 1.33 | 1.72 | -- | 2.00 | 1.00 | 5/16-18 | 0.50 | 2.40 | 3.25 | 1.63 | 3.82 | 1.87 | 4.00 | 2.16 | 1.96 | 0.625 | 0.500 | 1/8 x 1.00 | 1/8 x 1.00 | 3/16 x 1.38 |
| EL818 | 3.50 | 4.83 | 2.48 | 5.86 | 1.75 | 2.31 | -- | 2.94 | 1.47 | 5/16-18 | 0.63 | 3.03 | 3.69 | 1.84 | 4.45 | 1.78 | 4.39 | 2.05 | 1.85 | 0.750 | 0.625 | 3/16 x1.38 | 3/16 x .500 | 3/16 x 1.38 |
| EL821 | 3.91 | 5.75 | 2.76 | 6.88 | 2.06 | 2.63 | -- | 3.25 | 1.63 | 3/8-16 | 0.87 | 3.40 | 4.13 | 2.06 | 4.82 | 1.76 | 4.68 | 2.29 | 2.09 | 1.000 | 0.625 | 3/16 x1.38 | 3/16 x .500 | 1/4 x 1.44 |
| EL824 | 4.06 | 5.86 | -- | 6.94 | 2.38 | 2.50 | -- | 2.88 | 1.44 | 3/8-16 | 0.69 | 3.61 | 5.00 | 2.50 | 5.51 | 2.45 | 5.14 | 2.86 | 2.46 | 1.125 | 0.750 | 3/16 x1.63 | 3/16 x .500 | 1/4 x 1.62 |
| EL826 | 4.84 | 7.17 | 4.21 | 8.00 | 2.63 | 3.25 | -- | 3.38 | 1.69 | 3/8-16 | 0.69 | 4.17 | 5.00 | 2.50 | 6.07 | 2.45 | 5.63 | 2.73 | 2.53 | 1.250 | 0.750 | 3/16 x1.63 | 3/16 x .500 | 1/4 x 1.82 |
| EL830 | 5.25 | 8.11 | 4.50 | 8.94 | 3.00 | 3.50 | -- | 4.13 | 2.06 | 1/2-13 | 1.00 | 4.81 | 5.75 | 2.88 | 6.56 | 2.31 | 6.62 | 3.60 | 3.37 | 1.500 | 0.875 | 3/16 x1.63 | 3/16 x .500 | 3/8 x 2.25 |
| EL832 | 5.25 | 8.11 | 4.53 | 10.50 | 3.25 | 4.00 | -- | 4.13 | 2.06 | 1/2-13 | 1.00 | 5.00 | 6.63 | 3.31 | 6.75 | 2.31 | 6.62 | 3.60 | 3.37 | 1.625 | 0.875 | 3/16 x1.63 | 3/16 x .500 | 3/8 x 2.25 |
| EL842 | 6.13 | 9.63 | 5.71 | 11.69 | 4.25 | 4.50 | -- | 3.75 | 1.88 | 5/8-11 | 1.19 | 6.15 | 7.00 | 3.50 | 9.57 | 3.47 | 8.12 | 4.50 | 4.22 | 1.750 | 1.250 | 1/4 x 2.50 | 1/4 x 2.50 | 3/8 x 3.00 |
| EL852 | 7.19 | 11.50 | 7.82 | 12.25 | 5.25 | 4.25 | 0.75 | 5.25 | 2.63 | 3/4-10 | 1.44 | 7.55 | 9.62 | 4.81 | 10.88 | 3.38 | 9.06 | 4.78 | 4.50 | 2.000 | 1.250 | 1/4 x 3.00 | 1/4 x 3.00 | 1/2 x 2.50 |
| EL860 | 7.00 | 13.50 | -- | 14.25 | 6.00 | 5.00 | 1.63 | 5.38 | 2.69 | 7/8-9 | 1.63 | 7.88 | 11.00 | 5.50 | 10.99 | 3.00 | 10.75 | 5.25 | 5.25 | 2.250 | 1.500 | 3/8 x 3.00 | 3/8 x 2.75 | 1/2 x 4.00 |

Double Reduction
Worm - Worm Gear Reducers

Motor Mounting Dimensions

NEMA DIMENSIONS (Inches)

| Size | LM 56C/140TC | LM1 180TC / 210TC | L1 56C/140TC | L1 180TC / 210TC | LQ 56C/140TC | LQ1 180TC / 210TC | RQ 56C/140TC | RQ 180TC / 210TC |
|-------|-----------------|----------------------|-----------------|---------------------|-----------------|----------------------|-----------------|---------------------|
| EL813 | 6.07 | -- | 3.82 | -- | 3.79 | -- | 3.09 | -- |
| EL818 | 5.89 | -- | 3.64 | -- | 4.42 | -- | 3.59 | -- |
| EL821 | 6.26 | -- | 4.00 | -- | 4.79 | -- | 4.06 | -- |
| EL824 | 6.48 | 7.30 | 4.29 | 4.29 | 4.77 | 4.77 | 4.09 | 4.09 |
| EL826 | 7.04 | 7.86 | 4.88 | 4.88 | 5.33 | 5.33 | 4.82 | 4.82 |
| EL830 | 7.67 | 8.31 | 5.38 | 5.38 | 5.97 | 5.97 | 5.32 | 5.32 |
| EL832 | 7.86 | 8.50 | 5.56 | 5.56 | 6.16 | 6.16 | 5.51 | 5.51 |
| EL842 | 11.25 | 12.53 | 9.57 | 9.57 | 6.45 | 6.45 | 6.04 | 6.04 |
| EL852 | 12.65 | 13.93 | 10.88 | 10.88 | 7.85 | 7.85 | 7.35 | 7.35 |
| EL860 | -- | 11.94 | 10.99 | 10.99 | -- | -- | -- | -- |

NEMA DIMENSIONS (Inches)

| Frame | AJ | AK | BD | BE | BE1 | Bore Dia. | Keyway | BF |
|-------|------|------|------|------|------|-----------|-------------|------|
| 56C | 5.88 | 4.50 | 6.50 | 0.38 | N/A | .625 | 3/16 X 3/32 | 0.41 |
| 140TC | 5.88 | 4.50 | 6.50 | 0.38 | N/A | .875 | 3/16 X 3/32 | 0.41 |
| 180TC | 7.25 | 8.50 | 9.00 | N/A | 0.50 | 1.125 | 1/4 X 1/8 | 0.53 |
| 210TC | 7.25 | 8.50 | 9.00 | N/A | 0.50 | 1.375 | 5/16 X 5/32 | 0.53 |

Double Reduction
Helical - Worm Gear Reducers

- * Applies to double output shaft
- ◆ Keyway width by depth
- ※ Solid input shaft and C-faced coupling input reducers have different input shaft length and key.

WARNING For safety, purchaser or user should provide protective guards over shaft extensions and any couplings, sheaves and belts, sprockets and chains, etc., mounted thereon.

INTEGRAL GEARMOTOR INPUTS AVAILABLE

— Contact Factory for price and availability.

EL SERIES MOUNTING DIMENSIONS

- EL Series mounting dimensions are the same as the original ELECTRA-GEAR product with an option to match the industry standard dimensions of GR Series.
- See page 52 for GR Series dimensions.

ELECTRA-GEAR INTERCHANGE GUIDE

| Original Style | New Style |
|----------------|--------------|
| MSC or MLSC | BMQ |
| MC or MLC | BM |
| M or ML | B |
| M + "KV" Kit | B + "KV" Kit |

Convert Style B to motorized coupling input using kits shown on page 278.

WASHGUARD® Reducers
and GEAR-MOTOR™

Ratio Multipliers

Accessories and
Additional Capabilities