

100%
LED
COMPATIBLE

STACO
ENERGY[®]
PRODUCTS CO.

UNISTAR SCLI924

Single Phase

350 W - 21.0 kW

Online Emergency Lighting Inverter

Protects unwanted power outages and electrical disturbances. It continually maintains efficient AC Emergency Power to operate all emergency lighting fixtures at "full-light" output, providing superior dependability and security to commercial/industrial environments in a small footprint.

- Monitoring software always on guard.
- Display monitor keeps you in control 24/7.
- Dependable PWM technology for unsurpassed reliability.
- Economical for the lowest overall cost for your light safety, with an Energy Star Rating.
- Temperature compensating technology that controls batteries for the longer battery life.
- Sealed maintenance free batteries.
- Full light output for 90 minutes.
- Self-diagnostics for a safe and secure lighted environment.
- Pure sine wave output for all types of lamps.
- Backup solutions for multiple applications such as:
 - indoor and outdoor emergency lighting, exits, cash registers, computers, strategic electronics and more!
- 10 Year pro-rated battery warranty.
- 5 Year main transformer warranty.
- Meets federal, state and local codes:
 - UL924, NFPA 101, NFPA 70, NEC and OSHA.
- Cities of Chicago and New York Approved.
- Complies with the Buy American Act.



www.stacoenergy.com

Your Tailored Power Solutions Provider™

SCLI924 Models

Model Number	Rating	Input Voltage	Description	Dimensions H" x W" x D"	Weight. (lbs.)
Model "S"					
SCLI-S-350-90	350W	120, 208, 240, 277, 480	350W, with 90 Minutes Battery BackUp - NEMA 1	26 x 24 x 16	340
SCLI-S-525-90	525W	120, 208, 240, 277, 480	525W, with 90 Minutes Battery BackUp - NEMA 1	26 x 24 x 16	340
SCLI-S-700-90	700W	120, 208, 240, 277, 480	700W, with 90 Minutes Battery BackUp - NEMA 1	26 x 24 x 16	370
SCLI-S-875-90	875W	120, 208, 240, 277, 480	875W, with 90 Minutes Battery BackUp - NEMA 1	26 x 24 x 16	370
SCLI-S-1.05-90	1050W	120, 208, 240, 277, 480	1.05kW, with 90 Minutes Battery BackUp - NEMA 1	26 x 24 x 16	440
SCLI-S-1.4-90	1400W	120, 208, 240, 277, 480	1.4kW, with 90 Minutes Battery BackUp - NEMA 1	26 x 24 x 16	460
SCLI-S-2.0-90	2000W	120, 208, 240, 277, 480	2kW, with 90 Minutes Battery BackUp - NEMA 1	26 x 24 x 16	600
Model "E"					
SCLI-E-2.4-90	2.4kW	120, 208, 240, 277, 480	2.4kW, with 90 Minutes Battery BackUp - NEMA 1	44 x 26 x 26	700
SCLI-E-2.6-90	2.6kW	120, 208, 240, 277, 480	2.6kW, with 90 Minutes Battery BackUp - NEMA 1	44 x 26 x 26	700
SCLI-E-3.0-90	3.0kW	120, 208, 240, 277, 480	3kW, with 90 Minutes Battery BackUp - NEMA 1	44 x 26 x 26	800
SCLI-E-3.4-90	3.4kW	120, 208, 240, 277, 480	3.4kW, with 90 Minutes Battery BackUp - NEMA 1	44 x 26 x 26	800
SCLI-E-3.8-90	3.8kW	120, 208, 240, 277, 480	3.8kW, with 90 Minutes Battery BackUp - NEMA 1	44 x 26 x 26	800
SCLI-E-4.2-90	4.2kW	120, 208, 240, 277, 480	4.2kW, with 90 Minutes Battery BackUp - NEMA 1	44 x 26 x 26	920
Model "EX"					
SCLI-EX-4.7-90	4.7kW	120, 208, 240, 277, 480	4.7kW, with 90 Minutes Battery BackUp - NEMA 1	71 x 42 x 22.5	1,200
SCLI-EX-5.25-90	5.25kW	120, 208, 240, 277, 480	5.25kW, with 90 Minutes Battery BackUp - NEMA 1	71 x 42 x 22.5	1,200
SCLI-EX-7.0-90	7.0kW	120, 208, 240, 277, 480	7kW, with 90 Minutes Battery BackUp - NEMA 1	71 x 42 x 22.5	1,450
SCLI-EX-8.0-90	8.0kW	120, 208, 240, 277, 480	8kW, with 90 Minutes Battery BackUp - NEMA 1	71 x 42 x 22.5	1,450
SCLI-EX-10.0-90	10.0kW	120, 208, 240, 277, 480	10kW, with 90 Minutes Battery BackUp - NEMA 1	71 x 42 x 22.5	18,20
SCLI-EX-12.0-90	12.0kW	120, 208, 240, 277, 480	12kW, with 90 Minutes Battery BackUp - NEMA 1	71 x 42 x 22.5	2,210
SCLI-EX-14.0-90	14.0kW	120, 208, 240, 277, 480	14kW, with 90 Minutes Battery BackUp - NEMA 1	71 x 42 x 22.5	2,550
SCLI-EX-18.0-90	18.0kW	120, 208, 240, 277, 480	18kW, with 90 Minutes Battery BackUp - NEMA 1	71 x 42 x 22.5	3,750
SCLI-EX-21.0-90	21.0kW	120, 208, 240, 277, 480	21kW, with 90 Minutes Battery BackUp - NEMA 1 (2 Cabinets)	E 71 x 42 x 22.5 B 71 x 42 x 22.5	4,375

Options

NOF: This feature allows for customizing output circuit breakers for power needs only in cases of emergency (i.e. exiting lighting or evacuation power). In the event of an AC power outage, the fixtures, lamps and/or loads connected to the emergency circuit(s) will immediately begin operating at full-light output.

NOH: Outputs are basically the same as the Normally Off Circuit (NOF) option. Both are excellent options when the customization need is to provide power only in cases of emergency (i.e. exiting lighting or evacuation power). The difference between the two is that the NOH feature allows the emergency circuit (up to 10 minutes) to remain energized after the utility power is re-stored. This means that in the event of an AC power outage, the fixtures, lamps and/or loads connected to the emergency circuit (s) will immediately begin operating at full-light output for a maximum of 90 minutes. When utility power is restored, the emergency circuit (s) will stay energized for up to 10 minutes (depending on user setting). At the end of the pre-set time, the normally-off circuit (s) will shut off OCB—Output Circuit Breaker(s).

OCB: Standard output circuit breaker(s) for separating and controlling the load connected to the ELI.

EPO: Provides the user the ability to instantly turn the UPS off without having to throw the breakers. The EPO option is primarily used as a personnel safety feature that will shut off all power to the ELI output and load. When pressed the input utility power is still on the terminal block, but the microprocessor turns the inverter and rectifier off.

EMB: Manual Bypass Switch: A manual make before break inter-

nal bypass switch is provided to isolate the ELI inverter output, static bypass and connected load directly to the utility.

RMP: Enables the user to remotely monitor the ELI. Through the use of relays, the RMP allows the user to know if the ELI is operating on the input utility power, battery or if the ELI's output is "On" or "Off".

SNMP: Internet standard protocol for managing devices on IP networks." Devices that typically support SNMP include routers, switches, servers, workstations, printers, modem racks, and more. It is used mostly in network Management systems to monitor network-attached devices for conditions that warrant administrative attention.

The SNMP will be able to send emails to interested parties when a problem with the power supply occurs. The SNMP will host a java webpage that shows all the relevant voltages, currents, powers, energies, times, alarms, associated with the power supply. The operator will also be able to remotely operate the power supply as if they are standing in front of it pushing buttons.

FCC: The ELI is capable of providing optional relay contacts. The contacts will be a form "C" contact and will change state to indicate the operating status. The contacts will be rated at 2.0 A (125 VAC / 30 VDC).

CAB: The ELI and any accessory cabinet(s) are available with a NEMA type enclosure (NEMA 12, 3R, 4X) to include AC cooling.

SRB/SRM/WMB: Brackets for securing units in seismic areas.

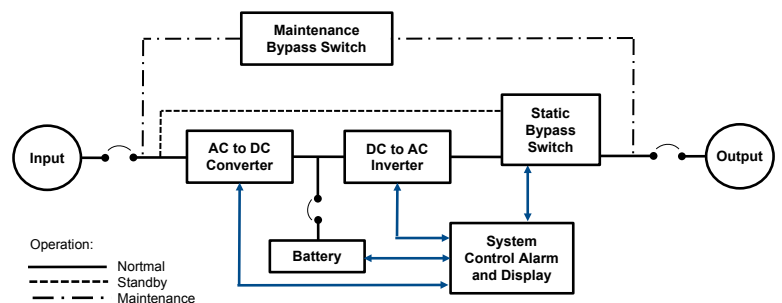
Specifications

Power Levels	Description/Specification		
Model "S" (Watts)	350W, 525W, 700W, 750W, 875W, 1050W, 1400W, 2000W		
Model "E" (kW)	2.4kW, 2.6kW, 3.0kW, 3.4kW, 3.8kW, 4.2kW		
Model "EX" (kW)	4.7kW, 5.25kW, 7.0kW, 8.0kW, 10.0kW, 12.0kW, 14.0kW, 18.0kW, 21.0kW		
Connections	Hardwire		
Input Voltage	Refer to Voltage Selection Table Below		
Input Voltage Range	+10% -15%		
Output Voltage	120, 277, 120/240 or 120/277 VAC		
Output Voltage Regulation	±2% for all loads and battery discharge mode		
Output Frequency Range	60 Hz, ±1%		
Output Wave Form	Sine-wave <5% @ 100% linear load		
Crest Factor	2.5:1 typical		
Input Protection	Input Main Circuit Breaker		
Output Protection	Output Main Circuit Breaker		
Surge Protection	Protects itself and the load against surges as defined in ANSI/IEEE C62.45 category A and B		
Battery	Sealed maintenance-free (AGM) lead calcium		
Recharge Current	Conforms to UL924 standards		
External Battery	Provision for hardware connection of external battery cabinets or DC source		
Efficiency	≥92% at 100% linear load		
Audible Noise	<45dB measured on Response Curve "A"		
Safety Agencies	Listed to UL standard 924		
Operating Temperature	0° to 40°C (32° to 104°F)		
Storage Temperature	-20° to 60°C (-4° to 140°F)		
Humidity	5 - 95%, Non-condensing		
Monitoring	LED Displays Alarms and Diagnostics		
Dimensions			
Model	"S"	"E"	"EX"
H" x W" x D"	26 x 24 x 16	44 x 26 x 26	71 x 42 x 22.5

Input / Output Selections

Part Number	Description (Included in Price)
Voltage In/Out	
120/120	Input 120Vac, Output 120Vac
120/277	Input 120Vac, Output 277Vac
120/480	Input 120Vac, Output 480Vac
120/120-240	Input 120Vac, Output 120/240Vac
120/120-277	Input 120Vac, Output 120/277Vac
208/120	Input 208Vac, Output 120Vac
208/277	Input 208Vac, Output 277Vac
208/480	Input 208Vac, Output 480Vac
208/120-240	Input 208Vac, Output 120/240Vac
208/120-277	Input 208Vac, Output 120/277Vac
240/120	Input 240Vac, Output 120Vac
240/277	Input 240Vac, Output 277Vac
240/480	Input 240Vac, Output 480Vac
240/120-240	Input 240Vac, Output 120/240Vac
240/120-277	Input 240Vac, Output 120/277Vac

Part Number	Description (Included in Price)
Voltage In/Out	
277/120	Input 277Vac, Output 120Vac,
277/277	Input 277Vac, Output 277Vac
277/480	Input 277Vac, Output 480Vac
277/120-240	Input 277Vac, Output 120/240Vac
277/120-277	Input 277Vac, Output 120/277Vac
480/120	Input 120Vac, Output 120Vac
480/277	Input 480Vac, Output 277Vac
480/480	Input 480Vac, Output 480Vac
480/120-240	Input 480Vac, Output 120/240Vac
480/120-277	Input 480Vac, Output 120/277Vac



Staco Service Field Service Program

Staco specializes in providing choice and flexibility by developing tailored solutions for preventive and remedial maintenance services, as well as emergency repairs for all of our products. Staco Service is built upon a nationwide network of highly trained and motivated customer support engineers and technicians who can provide professional services and care throughout the life of your equipment.

- **Start-Ups**
- **Preventive Maintenance**
- **Spare Parts**
- **Battery Analysis/Refresh/Replacement**
- **On-Site Training**
- **Time & Material Services**
- **ServiStar: Providing security beyond our standard warranty**

Why Staco Energy Products?

Because we are your tailored power solutions provider!

Unique application design demands, harsh environment concerns, the need to meet non-standard physical space requirements—providing the “not so usual” is what we do best. From leading edge uninterruptible power supplies, power conditioners, power factor and harmonic correction equipment, to the world’s most stable voltage control systems, we have the technology you need to protect and manage your business, and the knowledge to make it work for you.

Since 1937, customers worldwide have relied on Staco Energy as their tailored solutions provider, to solve a wide range of electrical power problems. Headquartered in Dayton, Ohio, Staco Energy Products is a wholly owned subsidiary of Components Corporation of America, located in Dallas, Texas.



For more information and pricing contact:



Thad Everson
(608)999-0039

teverson@facilitygateway.com

Frank Horner
(608)692-9236

fhorner@facilitygateway.com



Your Tailored Power Solutions Provider™