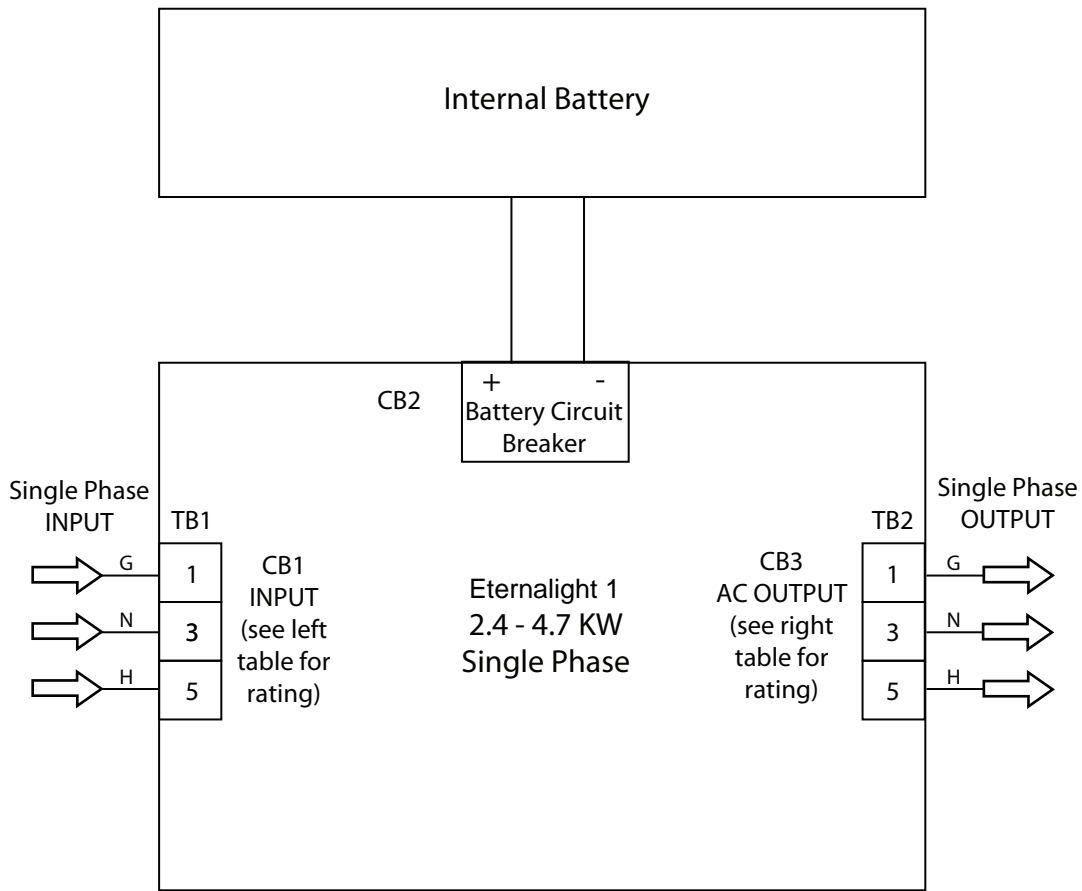


KW	Input Voltage	Utility Feed Amps
2.4	120	35
	208	20.2
	240	17.5
	277	15.2
	480	8.75
2.6	120	38
	208	22
	240	19
	277	16.5
	480	9.5
3.0	120	43.8
	208	25.3
	240	22
	277	19
	480	10.9
3.4	120	49.6
	208	28.6
	240	24.8
	277	21.5
	480	12.4
3.8	120	55.4
	208	32
	240	27.7
	277	24
	480	13.9
4.2	120	61.3
	208	35.4
	240	30.7
	277	26.6
	480	15.3
4.7	120	68.6
	208	39.6
	240	34.3
	277	29.7
	480	17.1



KW	Output Voltage	Max Output Amps
2.4	120	20
	277	8.7
	480	5
	120/240	20/10
	120/277	20/8.7
2.6	120	21.7
	277	9.4
	480	5.4
	120/240	21.7/10.8
	120/277	21.7/9.4
3.0	120	25
	277	10.8
	480	6.3
	120/240	25/12.5
	120/277	25/10.8
3.4	120	28.4
	277	12.3
	480	7.1
	120/240	28.4/14.2
	120/277	28.4/12.3
3.8	120	31.7
	277	13.7
	480	7.9
	120/240	31.7/15.9
	120/277	31.7/13.7
4.2	120	35
	277	15.2
	480	8.8
	120/240	35/17.5
	120/277	35/15.2
4.7	120	39.2
	277	17
	480	9.8
	120/240	39.2/19.6
	120/277	39.2/17

* Consult Factory for other wattages

REV NR	DESCRIPTION	ECO	DATE	WIRE LISTS
	Thad Everson (608)999-0039 teverson@facilitygateway.com	Frank Horner (608)692-9236 fhorner@facilitygateway.com	3/29/10	See note Bottom Left Corner of Doc.

Title Fortress 1: 2.4 - 4.7 KW Single Phase Integration Drawing		
Size: 11 x 8.5	Doc No. 091-1019-01	Revision: NR
Date: 3/29/2010	Time: 4:29:31 PM	Sheet 1 of 1
File: 091-1019-01		

