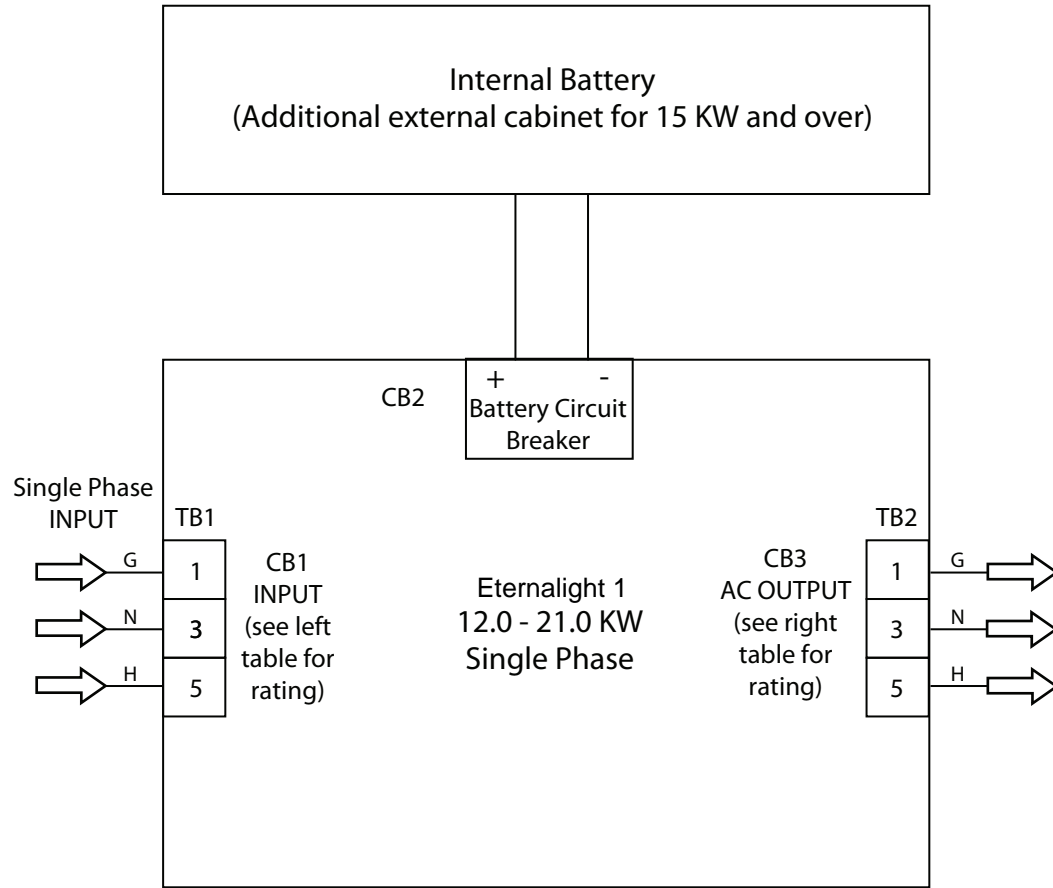


KW	Input Voltage	Utility Feed Amps
12.0	120	175
	208	101
	240	87.5
	277	76
	480	43.8
14.0	120	204.2
	208	118
	240	102
	277	88.5
	480	51
18.0	120	262.5
	208	151.5
	240	131.3
	277	113.8
21.0	120	306.3
	208	176.7
	240	153
	277	132.7
480	76.6	



KW	Output Voltage	Max Output Amps
12.0	120	100
	277	43.4
	480	25
	120/240	100/50
	120/277	100/43.4
14.0	120	116.7
	277	50.6
	480	29.2
	120/240	116.7/58.4
	120/277	116.7/50.6
18.0	120	150
	277	65
	480	37.5
	120/240	150/75
21.0	120	175
	277	75.8
	480	43.8
	120/240	175/87.5
120/277	175/75.8	

* Consult Factory for other wattages

REV NR	DESCRIPTION	ECO	DATE	WIRE LISTS
	Thad Everson (608)999-0039 teverson@facilitygateway.com		3/29/10	See note Bottom Left Corner of Doc.
	Frank Horner (608)692-9236 fhorner@facilitygateway.com			

Title Fortress 1: 12.0 - 21.0 KW Single Phase Integration Drawing		
Size: 11 x 8.5	Doc No. 091-1021-01	Revision: NR
Date: 3/29/2010	Time: 4:29:31 PM	Sheet 1 of 1
File: 091-1021-01		

