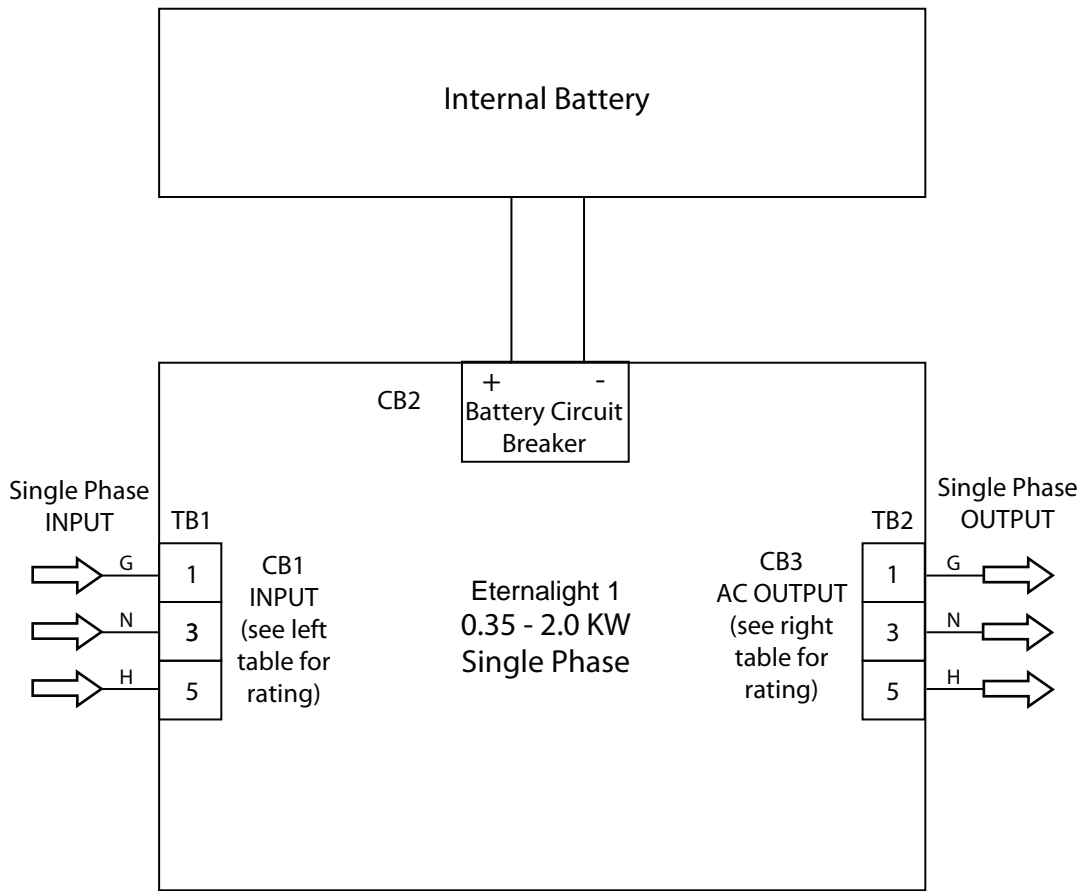


KW	Input Voltage	Utility Feed Amps
0.35	120	5
	208	3
	240	2.6
	277	2.2
	480	1.3
0.525	120	7.7
	208	4.4
	240	3.8
	277	3.3
	480	1.9
0.7	120	10.2
	208	5.9
	240	5.1
	277	4.4
	480	2.6
0.875	120	12.8
	208	7.4
	240	6.4
	277	5.5
	480	3.2
1.05	120	15.3
	208	8.8
	240	7.7
	277	6.6
	480	3.8
1.4	120	20.4
	208	11.8
	240	10.2
	277	8.8
	480	5.1
2.0	120	29.2
	208	16.8
	240	14.6
	277	12.6
	480	7.3



KW	Output Voltage	Max Output Amps
0.35	120	2.9
	277	1.3
	480	0.7
	120/240	2.9/1.5
	120/277	2.9/1.3
0.525	120	4.4
	277	1.9
	480	1.1
	120/240	4.4/2.2
	120/277	4.4/1.9
0.7	120	5.8
	277	2.5
	480	1.5
	120/240	5.8/2.9
	120/277	5.8/2.5
0.875	120	7.3
	277	3.2
	480	1.8
	120/240	7.3/3.6
	120/277	7.3/3.2
1.05	120	8.8
	277	3.8
	480	2.2
	120/240	8.8/4.4
	120/277	8.8/3.8
1.4	120	11.7
	277	5.1
	480	2.9
	120/240	11.7/5.8
	120/277	11.7/5.1
2.0	120	16.7
	277	7.2
	480	4.2
	120/240	16.7/8.3
	120/277	16.7/7.2

\* Consult Factory for other wattages

REV NR	DESCRIPTION	ECO	DATE	WIRE LISTS
	Thad Everson (608)999-0039 teverson@facilitygateway.com	Frank Horner (608)692-9236 fhorner@facilitygateway.com	3/29/10	See note Bottom Left Corner of Doc.

Title <b>Fortress 1: 0.35-2.0 KW Single Phase Integration Drawing</b>		
Size: 11 x 8.5	Doc No. <b>091-1018-01</b>	Revision: NR
Date: 3/29/2010	Time: 4:29:31 PM	Sheet 1 of 1
File: 091-1018-01		

