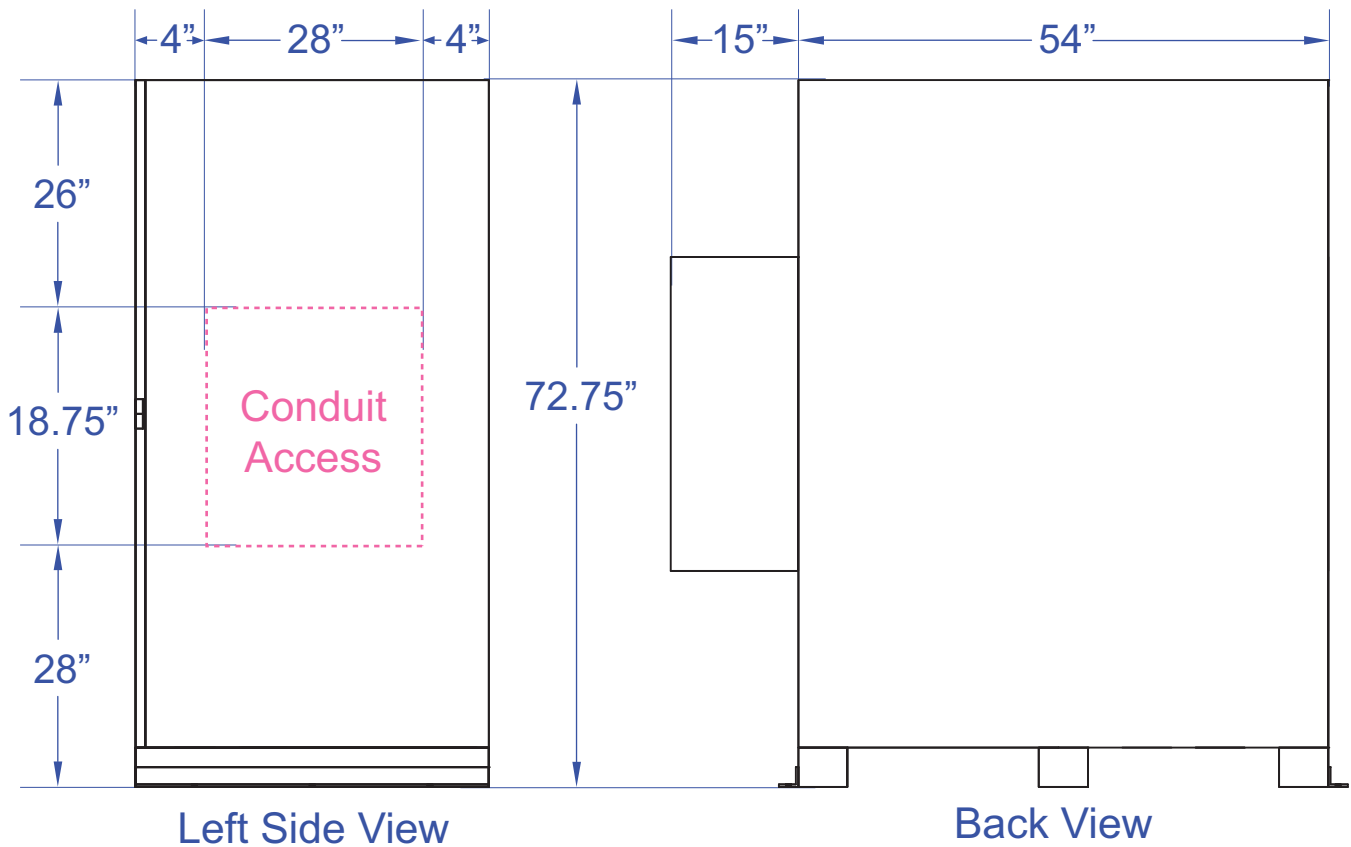
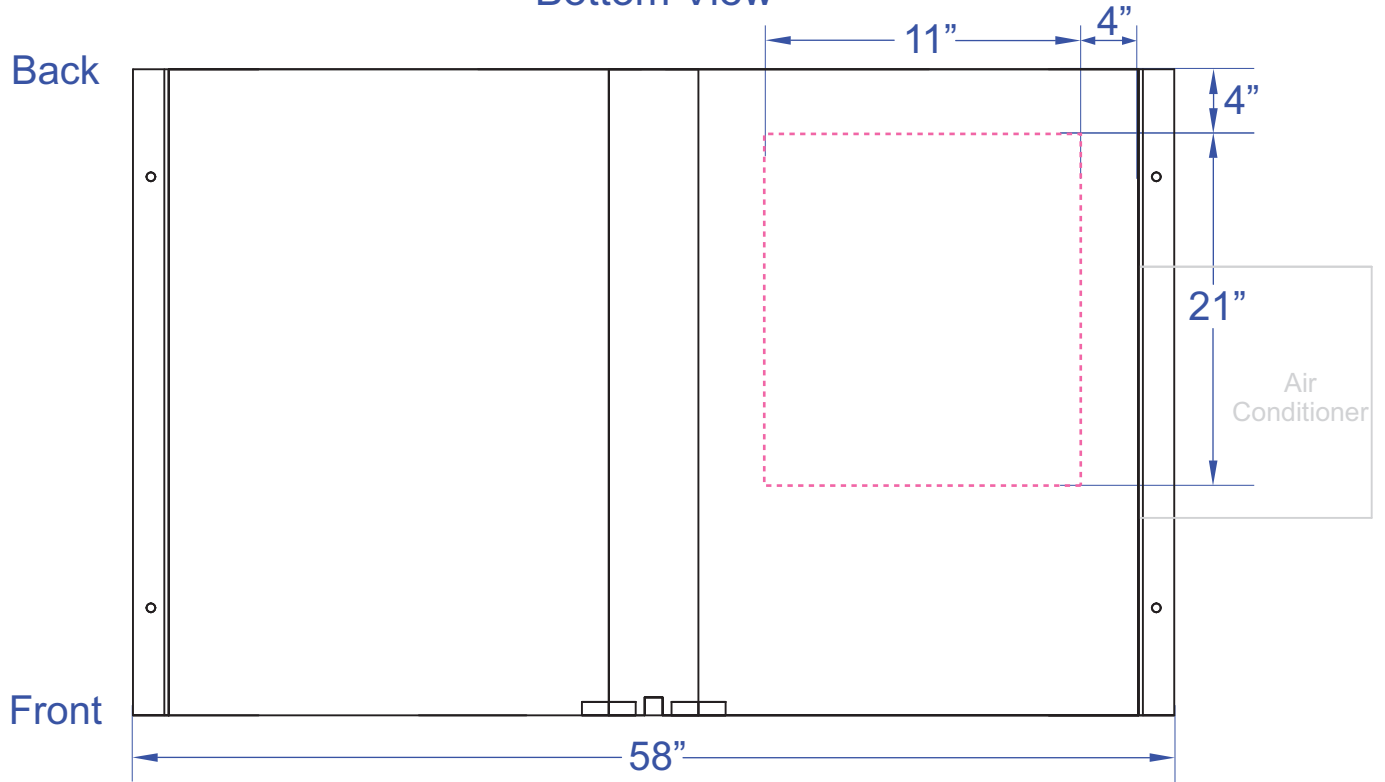


# Bottom View



Per code requirements please leave 3" on each side of the cabinet including the back, and a 3 foot clearance in front.

Notice: This drawing contains confidential and proprietary data originated. All design, manufacturing, reproduction, use and sale rights are expressly reserved. The recipient agrees by accepting this document, not to supply or disclose and information regarding it to any unauthorized person, or to incorporate this data into any other design or use thereof. All patent rights are expressly reserved.

<p>NEMA 4X and 12 Conduit Dimensions</p>	<p>Drawing # 070-0015-01</p>	<p><b>Thad Everson</b> (608)999-0039 <a href="mailto:teverson@facilitygateway.com">teverson@facilitygateway.com</a></p>	<p><b>Frank Horner</b> (608)692-9236 <a href="mailto:fhorne@facilitygateway.com">fhorne@facilitygateway.com</a></p>	<p>Revision Level <b>NR</b></p>
	<p>Drawing by: H.A. Berger</p>			<p>Sheet 1 of 1</p>