

# Straight

## INFORMATION:

**A: Width (inches/mm):**

*\*When providing catch cloth width, measure the outside of the conveyor frame width. We recommend a 2" sag, please make sure to add your desired sag to the frame width.*

---

**B: Length (inches/mm):**

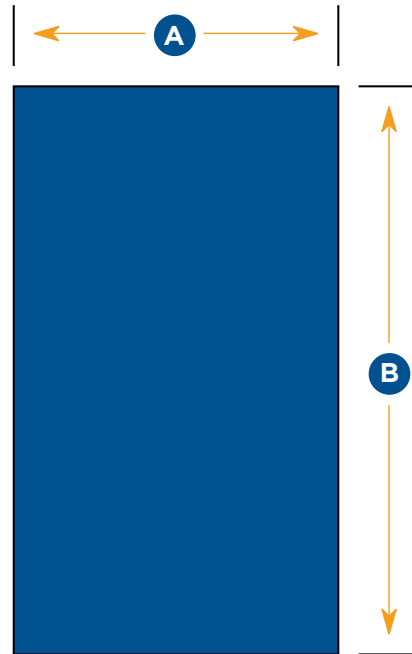
---

**Grommet Spacing (inches/mm):**

*Grommets on length of both sides.*

---

Zipper:  Yes  No



## COMMENTS:

**Siftex Equipment Co., Inc.**

52D Connecticut Avenue, South Windsor, CT 06074 USA

**Email:** [customerservice@Siftex.com](mailto:customerservice@Siftex.com)

**Phone:** 800-274-3839 | 860-289-8779

**Fax:** 860-289-8744

Siftex is focused on helping you spend less time with downtime by providing the innovative products, personal attention, superior customer service and on-time deliveries you expect.

# 90 Degree Turn

## INFORMATION:

**A: Width (inches/mm):**

*\*When providing catch cloth width, measure the outside of the conveyor frame width. We recommend a 2" sag, please make sure to add your desired sag to the frame width.*

---

**B: Inside Circumference (inches/mm) OR**

**C: Outside Circumference (inches/mm):**

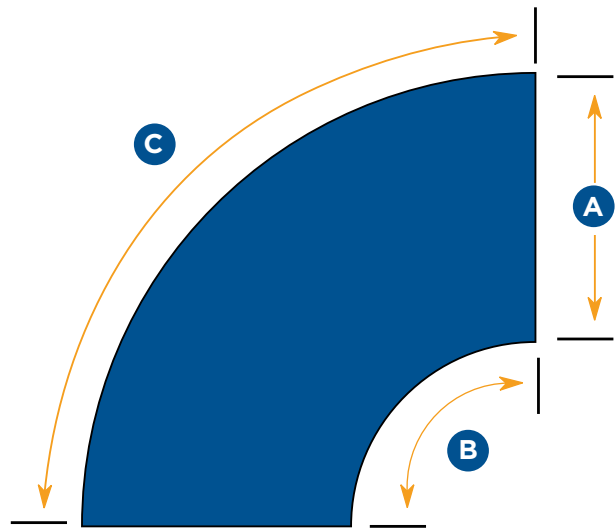
---

**Grommet Spacing (inches/mm):**

*Grommets on the IC and OC of turn.*

---

Zipper:  Yes  No



## COMMENTS:

**Siftex Equipment Co., Inc.**

52D Connecticut Avenue, South Windsor, CT 06074 USA

**Email:** [customerservice@Siftex.com](mailto:customerservice@Siftex.com)

**Phone:** 800-274-3839 | 860-289-8779

**Fax:** 860-289-8744

Siftex is focused on helping you spend less time with downtime by providing the innovative products, personal attention, superior customer service and on-time deliveries you expect.

# 45 Degree Turn

## INFORMATION:

**A: Width (inches/mm):**

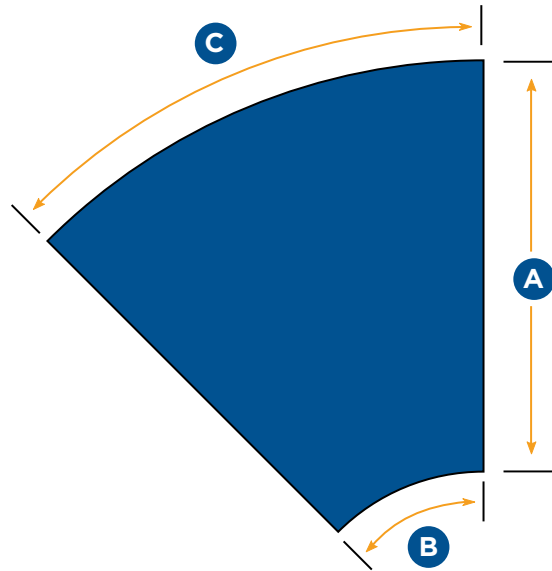
*\*When providing catch cloth width, measure the outside of the conveyor frame width. We recommend a 2" sag, please make sure to add your desired sag to the frame width.*

**B: Inside Circumference (inches/mm) OR  
C: Outside Circumference (inches/mm):**

**Grommet Spacing (inches/mm):**

*Grommets on the IC and OC of turn.*

Zipper:  Yes  No



## COMMENTS:

**Siftex Equipment Co., Inc.**

52D Connecticut Avenue, South Windsor, CT 06074 USA

**Email:** [customerservice@Siftex.com](mailto:customerservice@Siftex.com)

**Phone:** 800-274-3839 | 860-289-8779

**Fax:** 860-289-8744

Siftex is focused on helping you spend less time with downtime by providing the innovative products, personal attention, superior customer service and on-time deliveries you expect.

# 180 Degree Turn

## INFORMATION:

**A: Width (inches/mm):**

*\*When providing catch cloth width, measure the outside of the conveyor frame width. We recommend a 2" sag, please make sure to add your desired sag to the frame width.*

---

**B: Inside Circumference (inches/mm) OR  
C: Outside Circumference (inches/mm):**

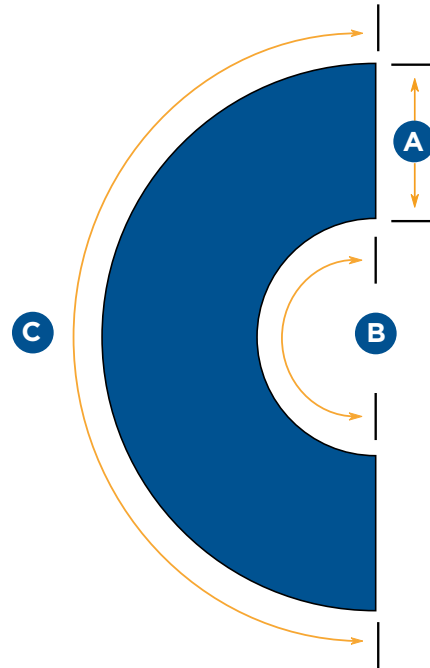
---

**Grommet Spacing (inches/mm):**

*Grommets on the IC and OC of turn.*

---

Zipper:  Yes  No



## COMMENTS:

# Funnel

## INFORMATION:

**A: Width (inches/mm):**

*\*When providing catch cloth width, measure the outside of the conveyor frame width. We recommend a 2" sag, please make sure to add your desired sag to the frame width.*

**B: Depth (inches/mm):**

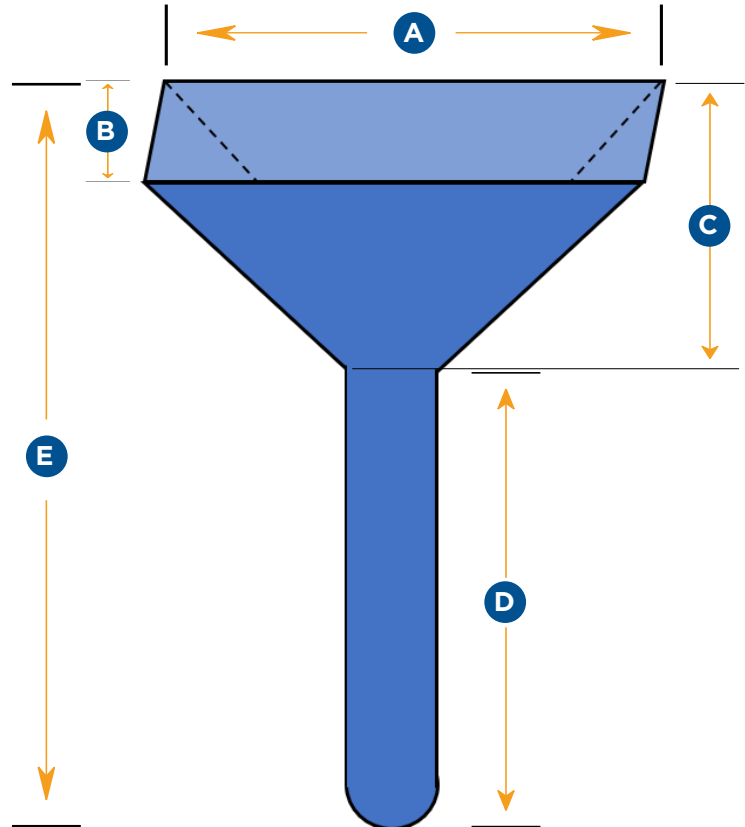
**C: Funnel/Box Length (inches/mm):**

**D: Inlet Length (inches/mm):**

**E: Overall Length (inches/mm):**

**Grommet Spacing (inches/mm):**

*Grommets on length of both sides.*



Zipper:  Yes  No

## COMMENTS:

# Box

## INFORMATION:

**A: Width (inches/mm):**

*\*When providing catch cloth width, measure the outside of the conveyor frame width. We recommend a 2" sag, please make sure to add your desired sag to the frame width.*

**B: Depth (inches/mm):**

**C: Length (inches/mm):**

**D: Depth (inches/mm):**

**E: Width (inches/mm):**

**F: Width (inches/mm):**

**G: Width (inches/mm):**

**Grommet Spacing (inches/mm):**

*Grommets on length of both sides.*

Zipper:  Yes  No

## COMMENTS:

