

# Funnel

## INFORMATION:

**A: Width (inches/mm):**

*\*When providing catch cloth width, measure the outside of the conveyor frame width. We recommend a 2" sag, please make sure to add your desired sag to the frame width.*

**B: Depth (inches/mm):**

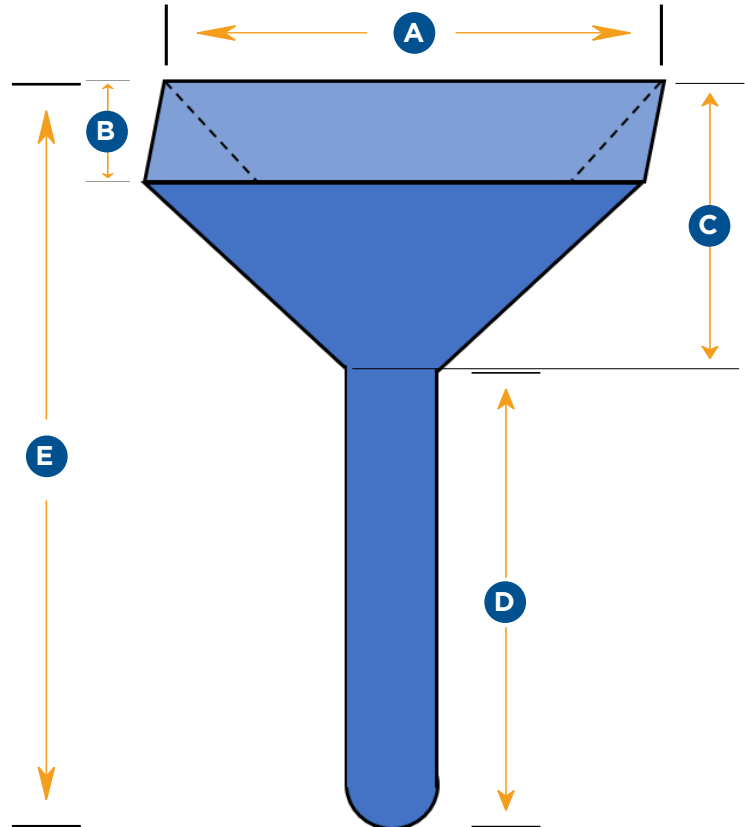
**C: Funnel/Box Length (inches/mm):**

**D: Inlet Length (inches/mm):**

**E: Overall Length (inches/mm):**

**Grommet Spacing (inches/mm):**

*Grommets on length of both sides.*



Zipper:  Yes  No

## COMMENTS: