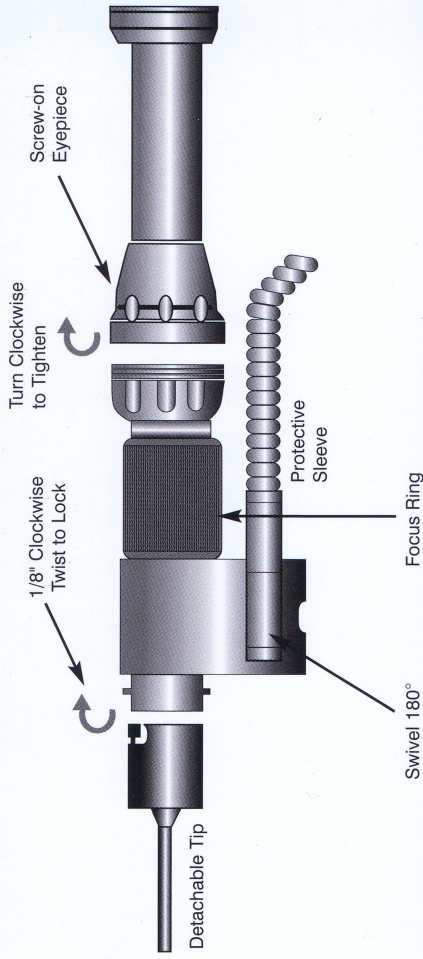
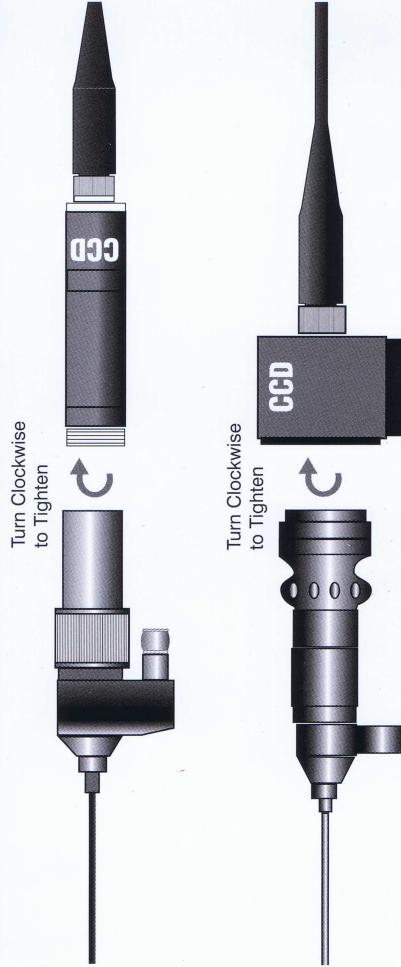


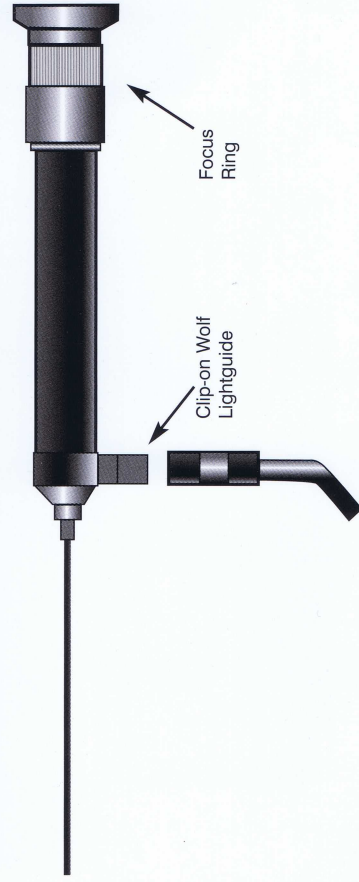
MILLISCOPE II™



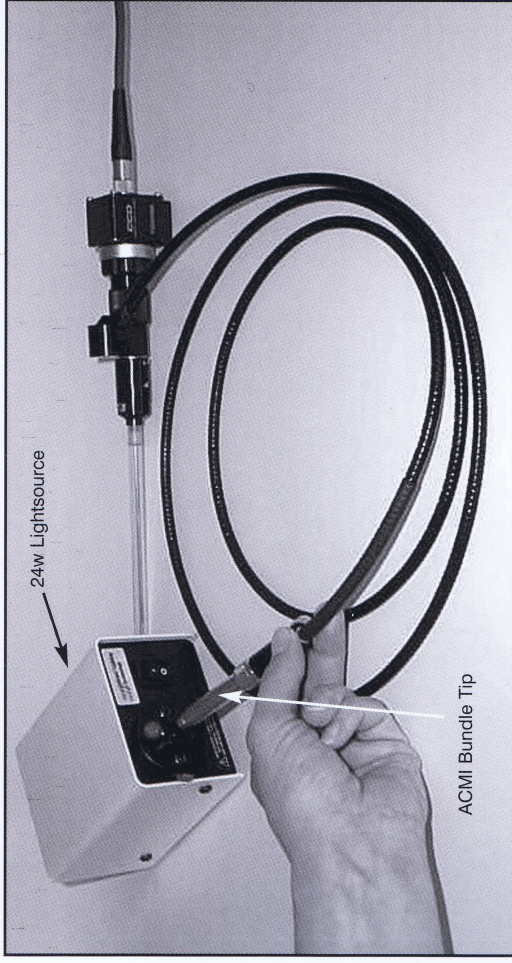
MILLISCOPE DV™ AND MILLIFLEX™



MILLISCOPE™



LIGHTING



Instructions For the Care And Use of Milliscopes

Your Milliscope must be handled carefully!

Do not attempt to force probe or the cables into sharp bends, even if it is a flexible style. Consult a Zibra representative if you need help.

Do not drop, or place items onto the instrument.

Fingerprints and dirt on optical surfaces can seriously degrade performance. Since there are such small lenses in use, cleanliness is very important.

If your unit is a Milliscope II, take care that the internal optical surfaces where the probe is attached are kept clean.

Do not turn the lightsources on and off rapidly. This will shorten the life of the lamp. Wait until fully warm to shut down, and wait until cool to restart.

Keep your scope in the case as much as possible, and use the protective sleeve if possible. This will reduce accidental damage.

Maximum service temperature is 200 F. Probe tips are waterproof for immersion, but may be affected by strong acids or solvents.

Use alcohol and soft clean wipe to clean optical surfaces.

Consider fixturing Milliscope for maximum life.