

# Pivoting Cable Bar Model CBS-200

SECTION	PAGE #
1. GENERAL.....	1
2. INSTALLATION.....	1
3. APPLICATIONS.....	1
4. CUSTOMER SERVICES.....	2
5. SPECIFICATIONS.....	2
6. ORDERING INFORMATION.....	2

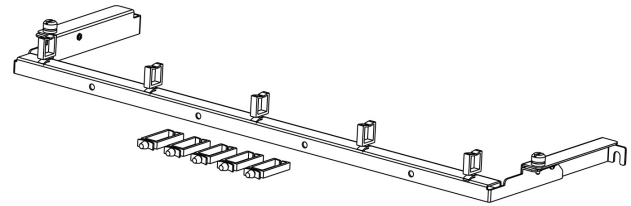


Figure 1. CBS-200

## 1. GENERAL

**1.1** The NAC CBS-200 is a pivoting bar designed for cable management on a 19" rack. The CBS-200 is 5.6". The pivoting bar can swing down 45° to allow clearance for equipment maintenance or service installs without disrupting other services. The bracket comes with holes for cable ties and plastic rings for fiber. Refer to figure 1 and 2 for reference.

**1.2** Whenever this product or document is changed, it will be reflected in this paragraph.

**1.3** The CBS-200 provides the following features and capabilities:

- Zinc plated steel designed for carrier class applications and environments.
- Swings down 45° for clearance to service power supplies, cassettes, SFP's or cables on various equipment.
- Supports and protects both fiber and copper cables.
- Supplied with both short plastic cable clips and taller plastic cable clips for higher density installations.
- Mounting holes slotted for easy installation for both new installation or retro fitting existing installation.
- Saves space by overlaying on equipment mounting brackets.
- Designed to install on any 19" racks.
- Also available is the CBS-100 which is a deeper 3.6" depth.

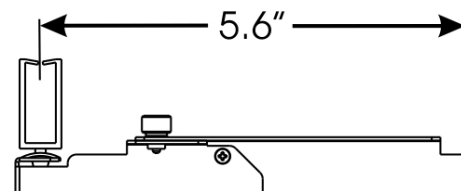


Figure 2. CBS-200 side view

## 2. INSTALLATION

**2.1** Loosen the lower mounting screws on the equipment. Slide the CBS-200 slotted mounting bracket behind the equipment's loosened screws. Retighten the screws.

## 3. APPLICATION

**3.1** To pivot the bar down for clearance to equipment, first loosen the thumbscrews on both sides of the CBS-200 keeping a hand under the bar. Slowly lower the bar down until clearance is obtained. When complete, simply lift the bar and retighten the two thumbscrews. Refer to Figure 3 and 4. for reference.

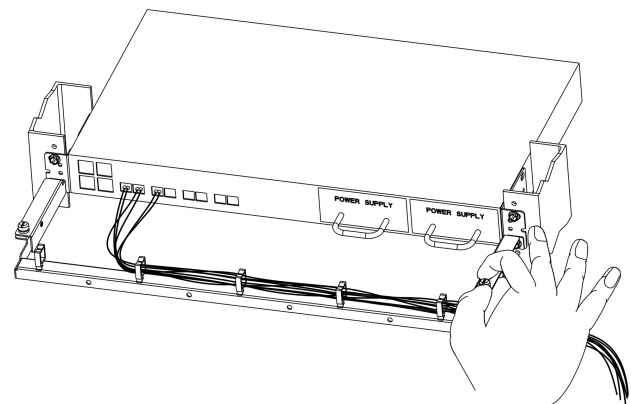
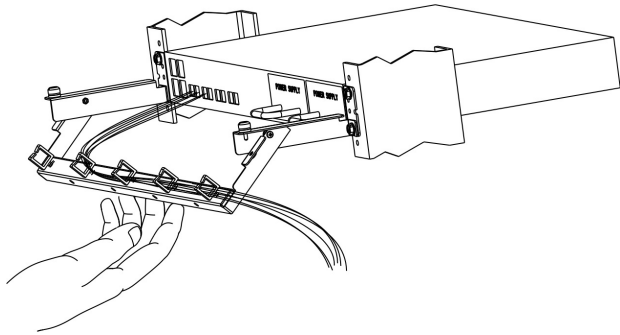
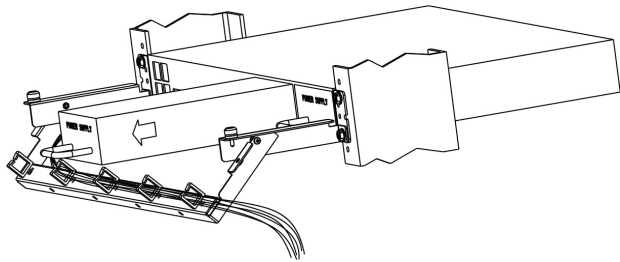


Figure 3. Loosen thumbscrews

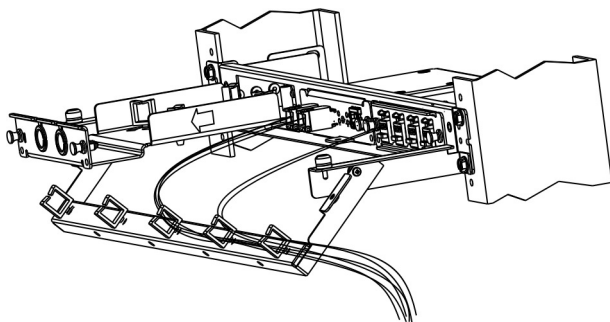


**Figure 4. Swing bar down**

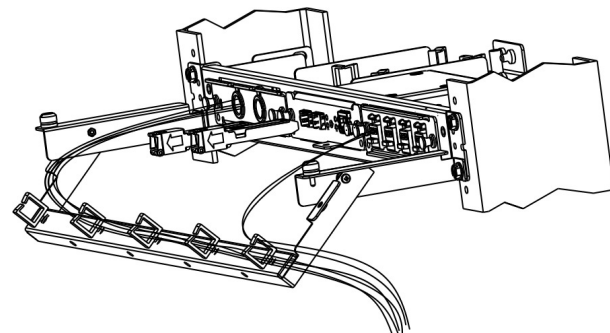
**3.2** For examples of use, Refer to Figure 5, 6, and 7. for reference.



**Figure 5. Full access to remove modules or power supplies.**



**Figure 6. Full access to remove cassettes**



**Figure 7. Full access to remove SFP's**

## 4. CUSTOMER SERVICE

If technical or customer assistance is required, please contact NAC at the following address or phone number:

N A Communications, LLC  
3820 Ohio Ave. Suite 12  
St. Charles, Illinois 60174  
Voice: (630) 513-1299  
[www.gotonac.com](http://www.gotonac.com)

## 5. SPECIFICATIONS

### 5.1 General

Material: Zinc Plated Steel  
Environment CPE/OSP

### 5.2 Physical Specifications

Feature	U.S.	Metric
Weight CBS-100	1.0 pounds	450 g
Weight CBS-200	1.2 pounds	544 g

### 5.3 Environmental Specifications

Feature	U.S.	Metric
Operating Temperature	-40° to 185°F	-40° to 85°C
Humidity	0 to 95% (non-condensing)	

## 6. ORDERING

Product Description	Order Number
Cable Bar for 1U or Greater with Swing Down for Greater Accessibility 3.6" depth	CBS-100
Cable Bar for 1U or Greater with Swing Down for Greater Accessibility 5.6" depth	CBS-200