

Pivoting Cable Bar Model CBS-100

SECTION	PAGE #
1. GENERAL.....	1
2. INSTALLATION.....	1
3. APPLICATIONS.....	1
4. CUSTOMER SERVICES.....	2
5. SPECIFICATIONS.....	2
6. ORDERING INFORMATION.....	2

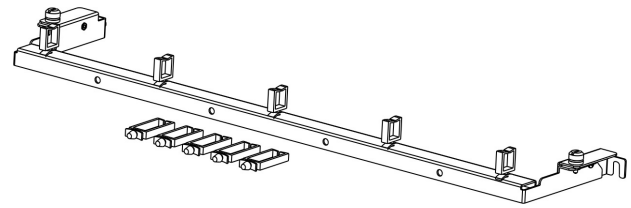


Figure 1. CBS-100

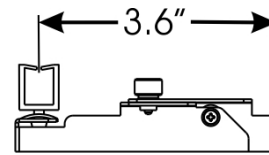


Figure 2. CBS-100 side view

1. GENERAL

1.1 The NAC CBS-100 is a pivoting bar designed for cable management on a 19" rack. The CBS-100 is 3.6". The pivoting bar can swing down 45° to allow clearance for equipment maintenance or service installs without disrupting other services. The bracket comes with holes for cable ties and plastic rings for fiber. Refer to figure 1 and 2 for reference.

1.2 Whenever this product or document is changed, it will be reflected in this paragraph.

1.3 The CBS-100 provides the following features and capabilities:

- Zinc plated steel designed for carrier class applications and environments.
- Swings down 45° for clearance to service power supplies, cassettes, SFP's or cables on various equipment.
- Supports and protects both fiber and copper cables.
- Supplied with both short plastic cable clips and taller plastic cable clips for higher density installations.
- Mounting holes slotted for easy installation for both new installation or retro fitting existing installation.
- Saves space by overlaying on equipment mounting brackets.
- Designed to install on any 19" racks.
- Also available is the CBS-200 which is a deeper 5.6" depth.

2. INSTALLATION

2.1 Loosen the lower mounting screws on the equipment. Slide the CBS-100 slotted mounting bracket behind the equipment's loosened screws. Retighten the screws.

3. APPLICATION

3.1 To pivot the bar down for clearance to equipment, first loosen the thumbscrews on both sides of the CBS-100 keeping a hand under the bar. Slowly lower the bar down until clearance is obtained. When complete, simply lift the bar and retighten the two thumbscrews. Refer to Figure 3 and 4. for reference.

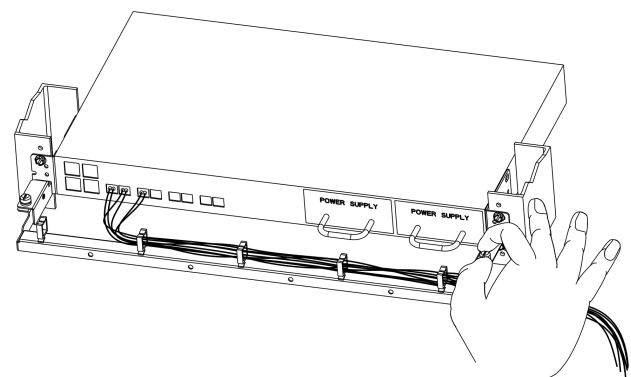


Figure 3. Loosen thumbscrews

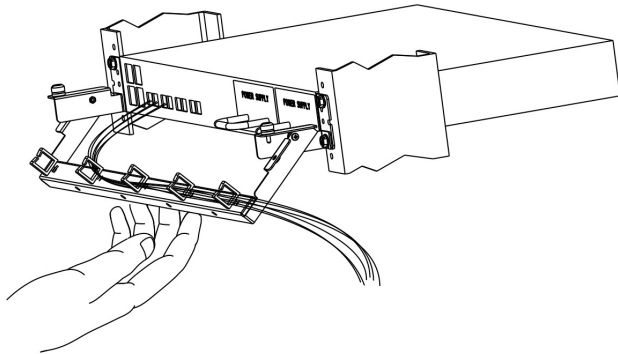


Figure 4. Swing bar down

3.2 For examples of use, Refer to Figure 5, 6, and 7. for reference.

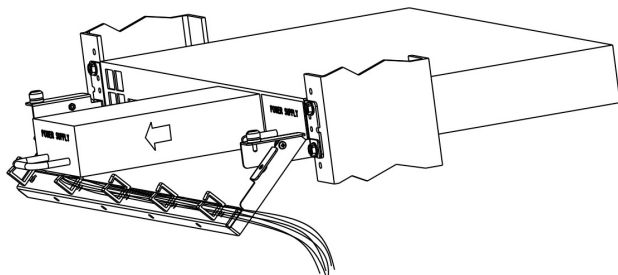


Figure 5. Full access to remove modules or power supplies.

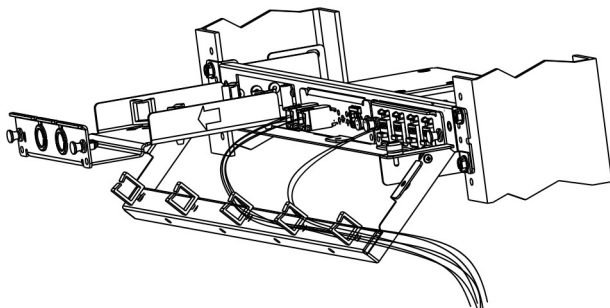


Figure 6. Full access to remove cassettes

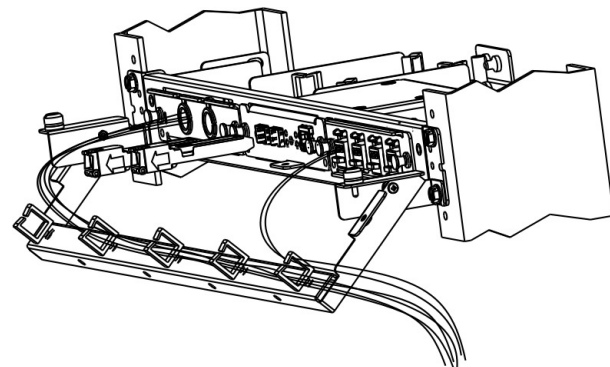


Figure 7. Full access to remove SFP's

4. CUSTOMER SERVICE

If technical or customer assistance is required, please contact NAC at the following address or phone number:

N A Communications, LLC
3820 Ohio Ave. Suite 12
St. Charles, Illinois 60174
Voice: (630) 513-1299
www.gotonac.com

5. SPECIFICATIONS

5.1 General

Material: Zinc Plated Steel
Environment CPE/OSP

5.2 Physical Specifications

Feature	U.S.	Metric
Weight CBS-100	1.0 pounds	450 g
Weight CBS-200	1.2 pounds	544 g

5.3 Environmental Specifications

Feature	U.S.	Metric
Operating Temperature	-40° to 185°F	-40° to 85°C
Humidity	0 to 95% (non-condensing)	

6. ORDERING

Product Description	Order Number
Cable Bar for 1U or Greater with Swing Down for Greater Accessibility 3.6" depth	CBS-100
Cable Bar for 1U or Greater with Swing Down for Greater Accessibility 5.6" depth	CBS-200