

IP Device Server STE400A-485 & STE400A-232

- ◀ 4 × RS232/422/485 to IP Device Server
- ▶ 4 × RS232 to IP Device Server



▲ STE400A-485



▲ STE400A-232

The STE400A are 4-port RS232/422/485 to IP Device Servers that enable the ability to control asynchronous devices located virtually anywhere over a TCP/IP connection. The STE400A have 4 DB9 serial ports and a 10/100 Mbps Ethernet connection on the same side. It connects serial devices such as PLC, alarm sensors and PTZ camera control to IP networks. Applications include industrial/factory automation, public safety and surveillance systems. The STE400A Windows® driver is designed to control the IP Serial Server. The driver installs a virtual COM on Windows® which maps a COM port to the IP address of the IP Serial Server across the network, enabling the Windows® applications to access remote serial devices over Ethernet. IP Device Server can function as a server or client for TCP connection that provides a Serial over Ethernet solution. The application scenarios for the STE400A are direct IP mode, virtual COM mode, or paired mode.

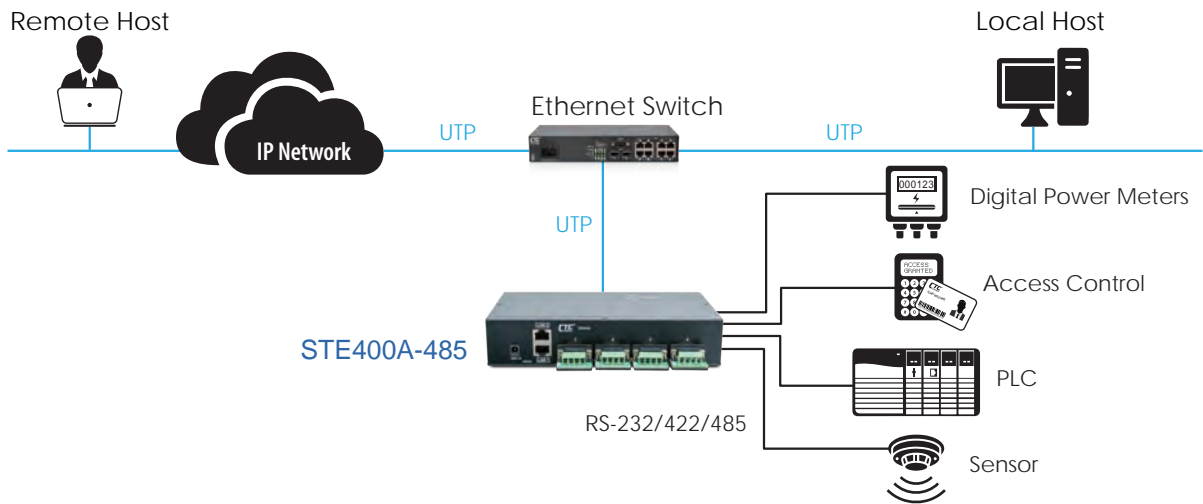
Features

- 10/100Mbps Ethernet port
- 921.6kbps serial interface (software programmable)
- TCP Server, TCP client, Paired or Virtual com modes
- Supports Virtual COM application software
- Easy to use with Windows® utility
- Supports RS232/422/485 Interface with physical DB9M port
- Configuration by web browser, Telnet
- Low power consumption with 12VDC input
- Wall mount

Specifications

General	LED	TP Link/Act, Data TX/RX
	OS supported	Windows XP / 2000 / 2003 / 2008 / VISTA / WIN7 / WIN8 / WIN10
Serial Interface	RS232/422/485	
Serial Connector	DB9M	
Baudrate	50 to 921.6kbps	
Data bits	5, 6, 7, 8	
Stop bits	1, 1.5 for Data bits 5 mode, 1, 2 for data bits 6, 7, 8 mode	
Parity	None, Even, Odd	
Flow Control	None or RTS / CTS, XON/XOFF	
Data Packing Delimiter	1,2	
LAN Interface	RJ-45 connector, IEEE802.3 10/100Base-TX	
Communication Modes	TCP Server, TCP Client, Virtual COM mode, UDP	
Protocols	TCP, UDP, IP, ARP, ICMP, HTTP, DHCP	
Management	Web browser, Firmware upgrade, Telnet	
Security	Password Access	
Power	12VDC external switching power adapter	
Operating Temperature	0 ~ 60°C	
Storage Temperature	-10 ~ 70°C	
Humidity	0 ~ 90% non-condensing	
Panel mount	Yes	
Dimensions	215 × 130 × 44mm (W×D×H)	
Certifications	CE, FCC	
MTBF	65,000 Hours	

Application



Ordering Information

Model Name	Description
STE400A-485	4-port RS232/422/485 serial server with DB9 to 5-pin terminal block and AC power adapter
STE400A-232	4-port RS232 serial server with DB9M port and AC power adapter

Package List

- One device of the series
- 12V DC switching power adapter