

LIV ARMCHAIR



LIV ARMCHAIR



The Liv Armchair is born from the meeting between contemporary gesture and the emotional memory of the past. Its subtle and precise design evokes the lightness of natural forms, as if it had been sculpted by time rather than by hands alone.

The backrest in natural cane, delicately tensioned, is a nod to tradition: it gracefully recalls the past while engaging in dialogue with the transparency and lightness of the present.

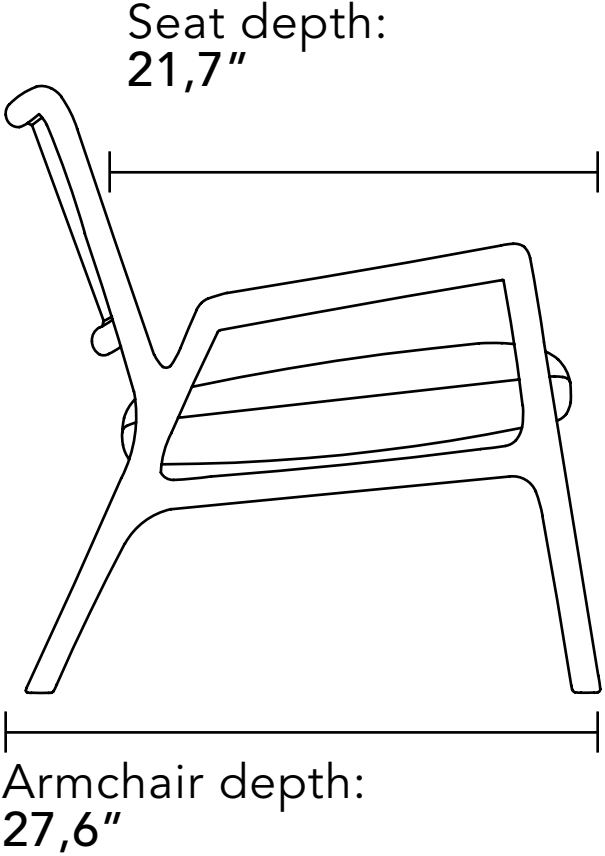
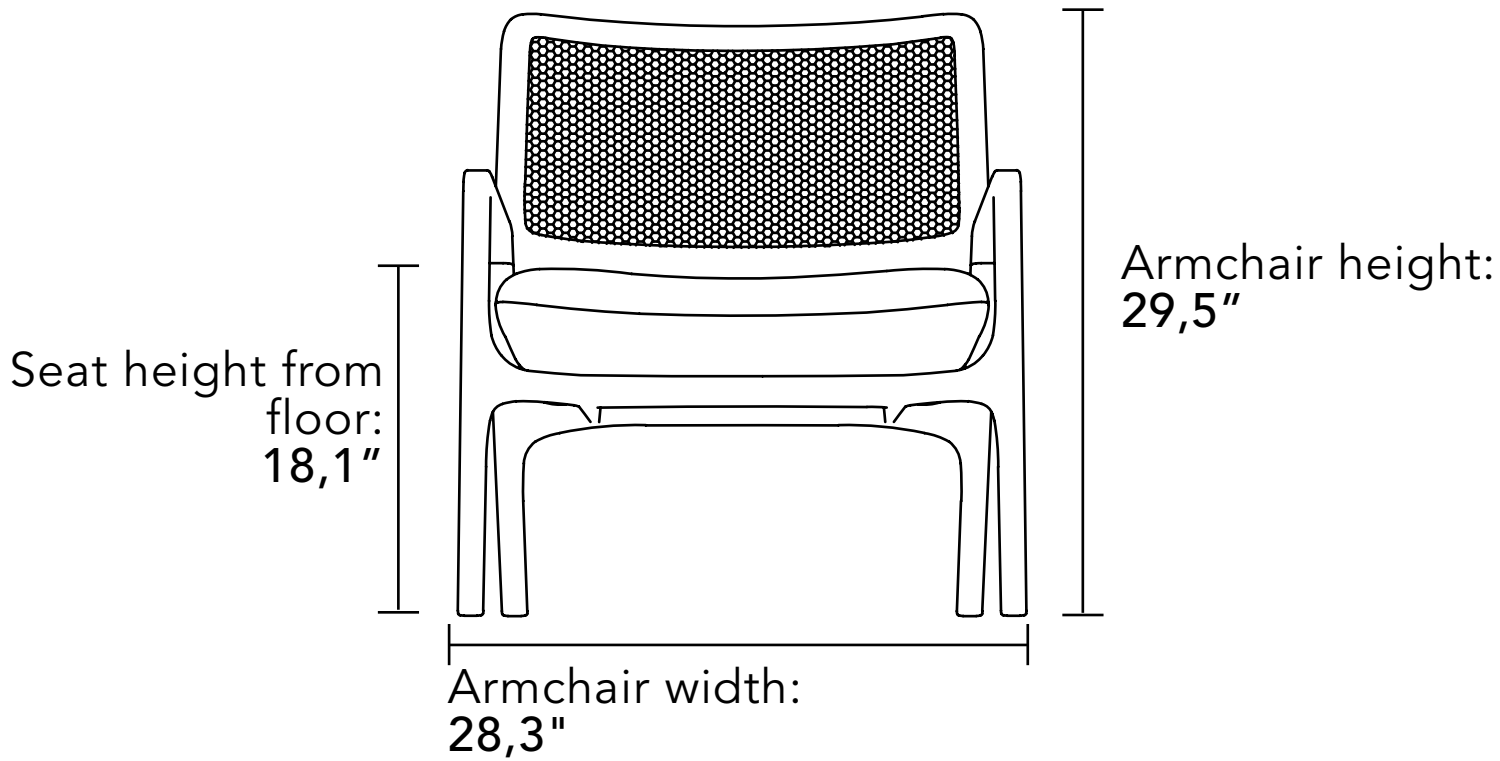
Liv is more than an armchair: it is a presence. Its design invites permanence, contemplation, and pause. An object of enduring character, created to transcend trends and remain relevant, because it is born from something greater than fashion—it is born from the idea of lasting beauty.

SIGNED BY CRYSTIAN FREIBERGER

ARMCHAIR
LIV

GENERAL DIMENSIONS

As this is a handcrafted product, variations in the stated dimensions may occur. Bell'Arte reserves the right to make changes to the product without prior notice.



Glide height	0,8"
Arm height from floor:	25,2"

ARMCHAIR
LIV

INFORMAÇÕES TÉCNICAS

Wood Structure:

Certified reforested wood (multilayer panels), kiln-dried with controlled humidity.

Frame Assembly:

Non-oxidizing staples and special adhesive at all wood joints ensure a firm, durable structure.

Foam:

Certified to ISO 9001 standards, CFC-free.

Comfort System:

Foam.

Seats:

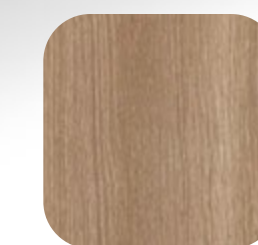
Fixed – foam [density 35 kg/m³] and 120 g polyester fiber batting.

Backrests:

Fixed – natural-straw finish.

Legs:

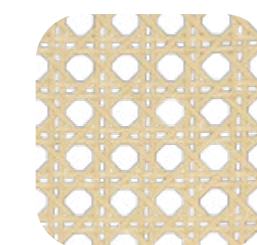
Jequitibá wood and foot 0.79".



Madeira Maciça
Areia



10093



Palha
Natural

ASSEMBLE WITH THE
Creator **MOD**



CHECK THIS PRODUCT
ON THE **SITE**

