

ALBA ARMCHAIR



## ALBA ARMCHAIR



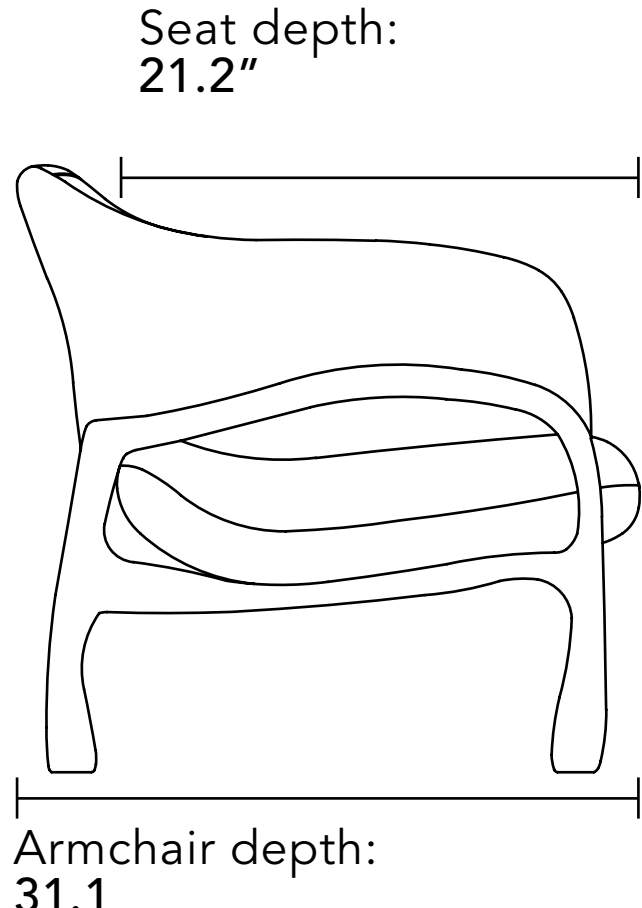
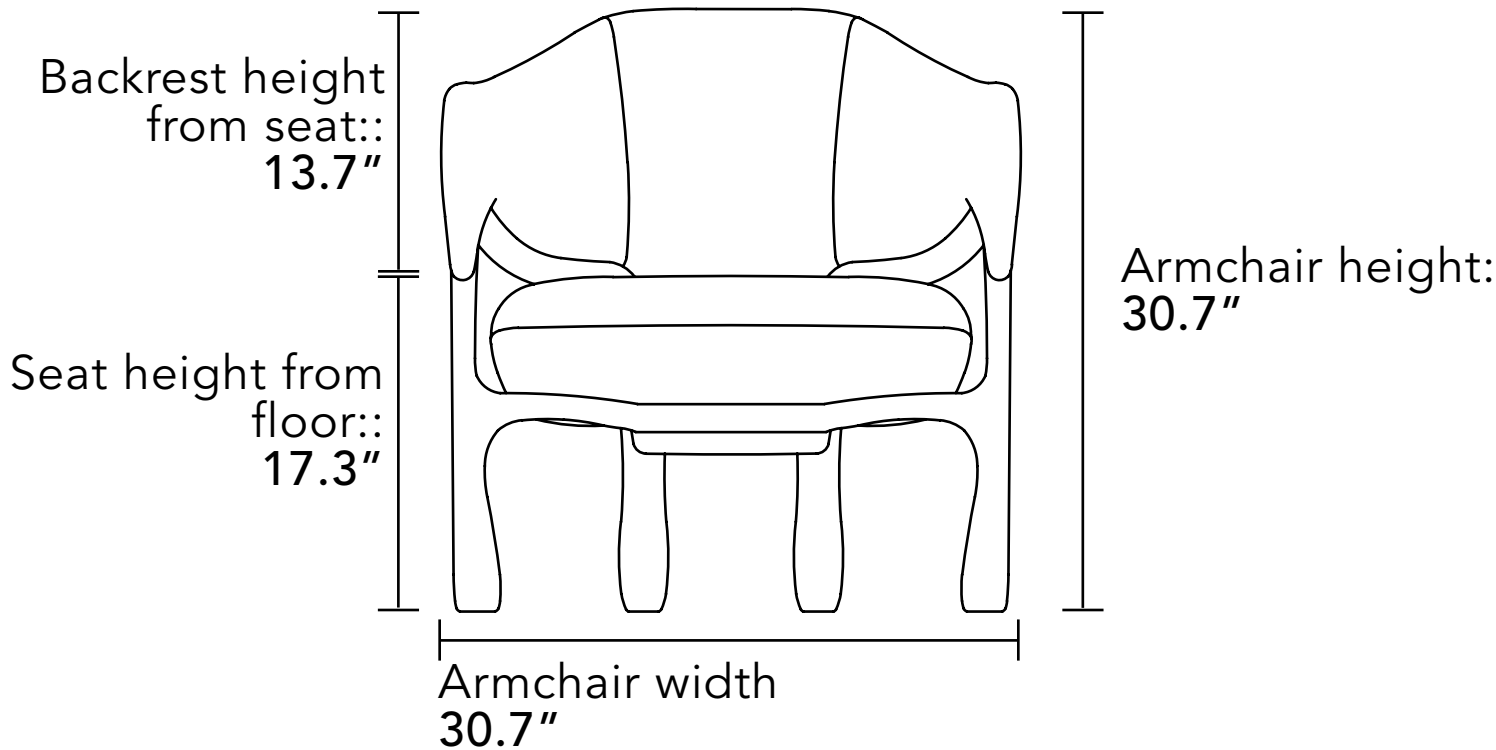
Alba is the moment when everything begins. The soft morning light, the silent growth of roots, the natural gesture that unites form and embrace. With a sculptural solid-wood base, this armchair is born from the earth and rises with lightness, like a new day.

SIGNED BY CRYSTIAN FREIBERGER

ARMCHAIR  
ALBA

MEDIDAS GERAIS

As it is a handcrafted product, variations in the stated measurements may occur. Bell'Arte reserves the right to make modifications to the product without prior notice.



Footplate height 0,7"

## ARMCHAIR ALBA

### TECHNICAL INFORMATION

**Wood Structure:**

Certified reforested wood (multilayer panels), kiln-dried with controlled humidity.

**Frame Assembly:**

Non-oxidizing staples and special adhesive at all wood joints ensure a firm, durable structure.

**Foam:**

Certified to ISO 9001 standards, CFC-free.

**Comfort System:**

Foam.

**Seats:**

Fixed – foam (density 35 kg/m<sup>3</sup>), D20 foam, and 120 g polyester fiber batting.

**Backrests:**

Fixed – Hiper Flex foam (density 29 kg/m<sup>3</sup>), Soft foam (density 35 kg/m<sup>3</sup>), D20 foam, and 120 g polyester fiber batting.

**Legs:**

Tauari wood and 0.79 in metal foot.



8262



Tauari Castanho



ASSEMBLE WITH THE  
Creator **MOD**



CHECK THIS PRODUCT  
ON THE **SITE**

