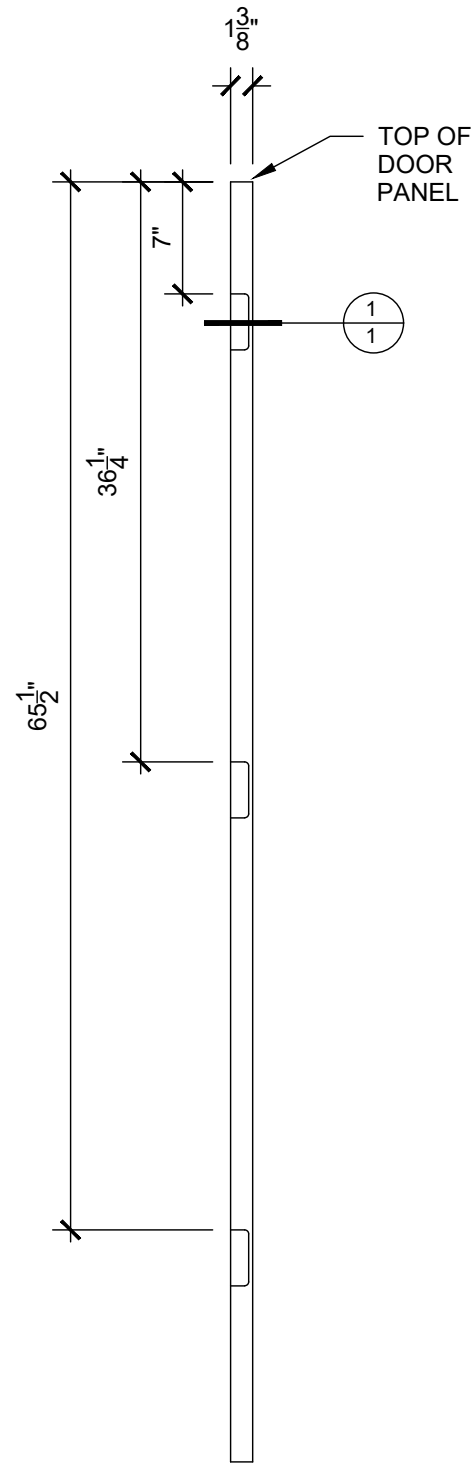
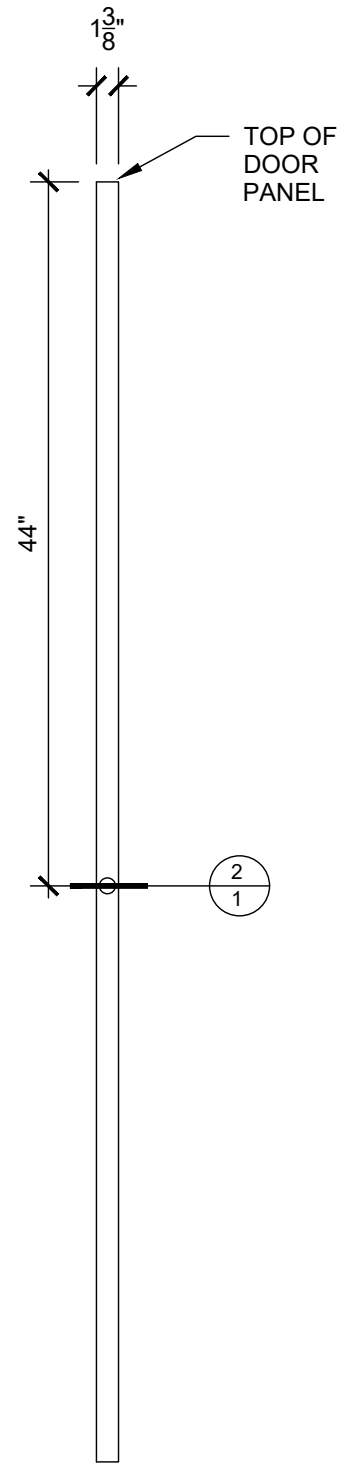


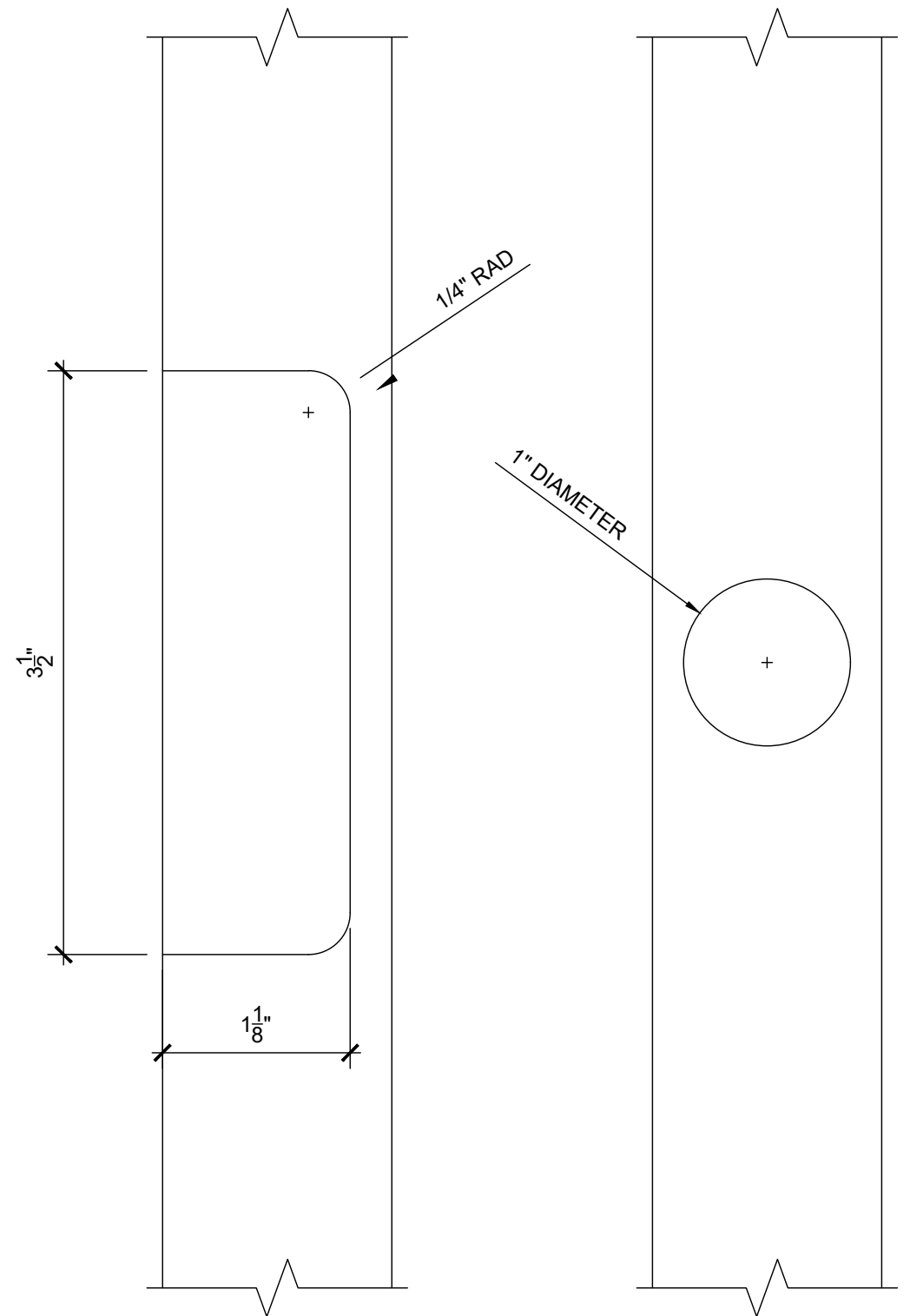
**FACE**  
SCALE: 1"=1'-0"



**HINGE EDGE**  
SCALE: 1"=1'-0"



**LATCH EDGE**  
SCALE: 1"=1'-0"



1 1  
**HINGE DETAIL**  
FULL SCALE

2 1  
**EDGE DETAIL**  
FULL SCALE