



Likuan[®]
HARDWARE INDUSTRIAL CO., LTD.

CONTENTS

03	<i>NP3033CP</i>	<i>NPB3033CP</i>		
04	<i>NCE08N3CP</i>	<i>NCF08N3CP</i>		
05	<i>NCP6033CP-A</i>	<i>NCP6033CP</i>	<i>NCP6033CP-L</i>	
06	<i>NCP7033CP-A</i>	<i>NCP7133CP</i>	<i>NCP7033CP</i>	<i>NCP7033CP-L</i>
07	<i>NCPS883CP</i>	<i>NCPS883CP-L</i>	<i>NCP8883CP</i>	<i>NCP8883CP-L</i>
09	<i>NCP9053CP-A</i>	<i>NCP9053CP</i>	<i>NCP9053CP-L</i>	
10	<i>NCPS803CP</i>	<i>NCPS803CP-L</i>		
11	<i>NCPB13WE</i>	<i>NCPA183CP</i>		
12	<i>NCPC153CP-W</i>	<i>NCPC183CP-W</i>		
13	<i>NCD1N3CP</i>	<i>NHD1N3CP</i>	<i>NHD1NV3CP</i>	
14	<i>NCD2N3CP</i>	<i>NHD2N3CP</i>	<i>NHD2NV3CP</i>	
15	<i>NCD3N3CP</i>	<i>NCD4N3CP</i>	<i>NHD4N3CP</i>	<i>NHD4NV3CP</i>
16	<i>NHCD10CP</i>	<i>NCD8S3BD</i>		
17	<i>NHCD1S3PD</i>	<i>NHAD1S3PD</i>	<i>NSCD1S3PD</i>	
18	<i>NHCD2S3PD</i>	<i>NHAD2S3PD</i>	<i>NSCD2S3PD</i>	
19	<i>NHCD3S3PD</i>	<i>NHAD3S3PD</i>	<i>NSCD3S3PD</i>	
20	<i>NHCD4S3PD</i>	<i>NHAD4S3PD</i>	<i>NSCD4S3PD</i>	
21	<i>NPHCD7CP</i>	<i>NPSCD7CP</i>		
22	<i>NPHCD11CP</i>	<i>NPHAD11CP</i>	<i>NPSCD11CP</i>	
23	<i>NPHCD12CP</i>	<i>NPHAD12CP</i>	<i>NPSCD12CP</i>	
24	<i>NPSCD133CP</i>			
25	<i>NKDPS1212CP-LAB</i>			
26	<i>NKDP1212CP-LAB</i>			
27	<i>NKDP0112CP-LAB</i>			
28	<i>NKDP0212CP-LAB</i>			
29	<i>NKDPS0212CP-AB</i>			
30	<i>NKDP0312CP-LAB</i>	<i>NKD04N12CP-LAB</i>		
31	<i>NKD05BN12CP-AB</i>			
32	<i>NKDP07V12CP-AB</i>			
33	<i>NKD22N12CP-LAB</i>	<i>NKDP2712CP-LAB</i>		
34	<i>NKDP3212CP-LAB</i>	<i>NKDP3512CP-LAB</i>		
35	<i>NKDP3712CP-LAB</i>	<i>NKDP3812CP-LAB</i>	<i>NKDP3912CP-LAB</i>	
36	<i>NKDP4212CP-FCAB</i>	<i>NKDP4212CP-FHAB</i>	<i>NKDP4212CP-FSAB</i>	

37	NKD25N12CP-AB	NKDP2612CP	
38	NKDP3312CP	NKDP3412CP	NKDP3612CP
39	NKD49N12CP-AB		
40	NKD48N12CP-AB		
41	NKD51N12CP-AB		
42	NKDS0212CP-L		
43	NCPV133CP	NCPV203CP	NCPV633GCP
44	NCPV6033CP	NCPV6033CP-A	
45	NCPV633CP	NCPV633CP-A	
46	NCPV7033CP	NCPV7033CP-A	
47	NCPV883CP	NCPV8883CP	
48	NCPV9053CP	NCPV9053CP-A	
49	NCPV893CP	NCPV833CP	NCPV803CP





Certified to NSF/ANSI 61



This faucet is Tested and Certified by NSF International against NSF/ANSI 42, 68 for materials and structural requirements.

NP3033CP

- Available with:
- air gap
 - tubing attached
 - quick connector
 - multiple spouts
 - 2" or 3" shank

Electroplating



Chrome Plated



Antique Brass



Antique Wine



Brushed Nickel



Antique Bronze



Bright Golden

Powder coating



White



Ivory



Gray



Red



Bright Black



Oil Rubbed Bronze



Matt Black



Certified to NSF/ANSI 61

NPB3033CP

- Available with:
- air gap
 - tubing attached
 - quick connector
 - multiple spouts
 - 2" or 3" shank





Certified to
NSF/ANSI 61

NCE08N3CP

NCF08N3CP

Available with:

- *air gap*
- *tubing attached*
- *quick connector*
- *multiple spouts*
- *2" or 3" shank*

Electroplating

	<i>/ Chrome Plated</i>		<i>/ Brushed Nickel</i>
	<i>/ Antique Brass</i>		<i>/ Antique Bronze</i>
	<i>/ Antique Wine</i>		<i>/ Bright Golden</i>



Certified to NSF/ANSI 61



This faucet is Tested and Certified by NSF International against NSF/ANSI 61 for material and structural requirements
COMPONENT

NCP6033CP-A

NCP6033CP

NCP6033CP-L

Available with:

- air gap
- tubing attached
- quick connector
- multiple spouts
- 2" or 3" shank
- LED timer indicator (NCP6033CP-L)

Electroplating

Powder coating

 / Chrome Plated

 / White

 / Antique Brass

 / Ivory

 / Antique Wine

 / Gray

 / Brushed Nickel

 / Red

 / Antique Bronze

 / Bright Black

 / Bright Golden

 / Oil Rubbed Bronze

 / Matt Black

Electroplating

Powder coating

-  / Chrome Plated
-  / Antique Brass
-  / Antique Wine
-  / Brushed Nickel
-  / Antique Bronze
-  / Bright Golden

-  / White
-  / Ivory
-  / Gray
-  / Red
-  / Bright Black
-  / Oil Rubbed Bronze
-  / Matt Black



Certified to
NSF/ANSI 61



This faucet is Tested and Certified by
NSF International against NSF/ANSI
61, 68 for materials and structural
requirements
COMPONENT

NCP7033CP-A

NCP7133CP

NCP7033CP

NCP7033CP-L

Available with:

- *air gap*
- *tubing attached*
- *quick connector*
- *multiple spouts*
- *2" or 3" shank*
- *LED timer indicator (NCP7033CP-L)*



Certified to
NSF/ANSI 61



This faucet is Tested and Certified by
NSF International against NSF/ANSI
62, 68 for materials and structural
requirements.
COMPONENT

NCPS883CP

NCPS883CP-L

NCP8883CP

NCP8883CP-L

Available with:

- *air gap*
- *tubing attached*
- *quick connector*
- *2" or 3" shank*
- *LED timer indicator (NCPS883CP-L | NCP8883CP-L)*
- *Not available for Germany (NCP8883CP | NCP8883CP-L)*





Electroplating

- | | |
|--|---|
|  / <i>Chrome Plated</i> |  / <i>Brushed Nickel</i> |
|  / <i>Antique Brass</i> |  / <i>Antique Bronze</i> |
|  / <i>Antique Wine</i> |  / <i>Bright Golden</i> |

Powder coating

- | | |
|--|--|
|  / <i>White</i> |  / <i>Red</i> |
|  / <i>Ivory</i> |  / <i>Bright Black</i> |
|  / <i>Gray</i> |  / <i>Oil Rubbed Bronze</i> |
| |  / <i>Matt Black</i> |



Certified to NSF/ANSI 61



This faucet is Tested and Certified by NSF International against NSF/ANSI 42, 58 for material and structural requirements.
COMPONENT

Electroplating



Chrome Plated



Antique Brass



Antique Wine



Brushed Nickel



Antique Bronze



Bright Golden

Powder coating



White



Ivory



Gray



Red



Bright Black



Oil Rubbed Bronze



Matt Black

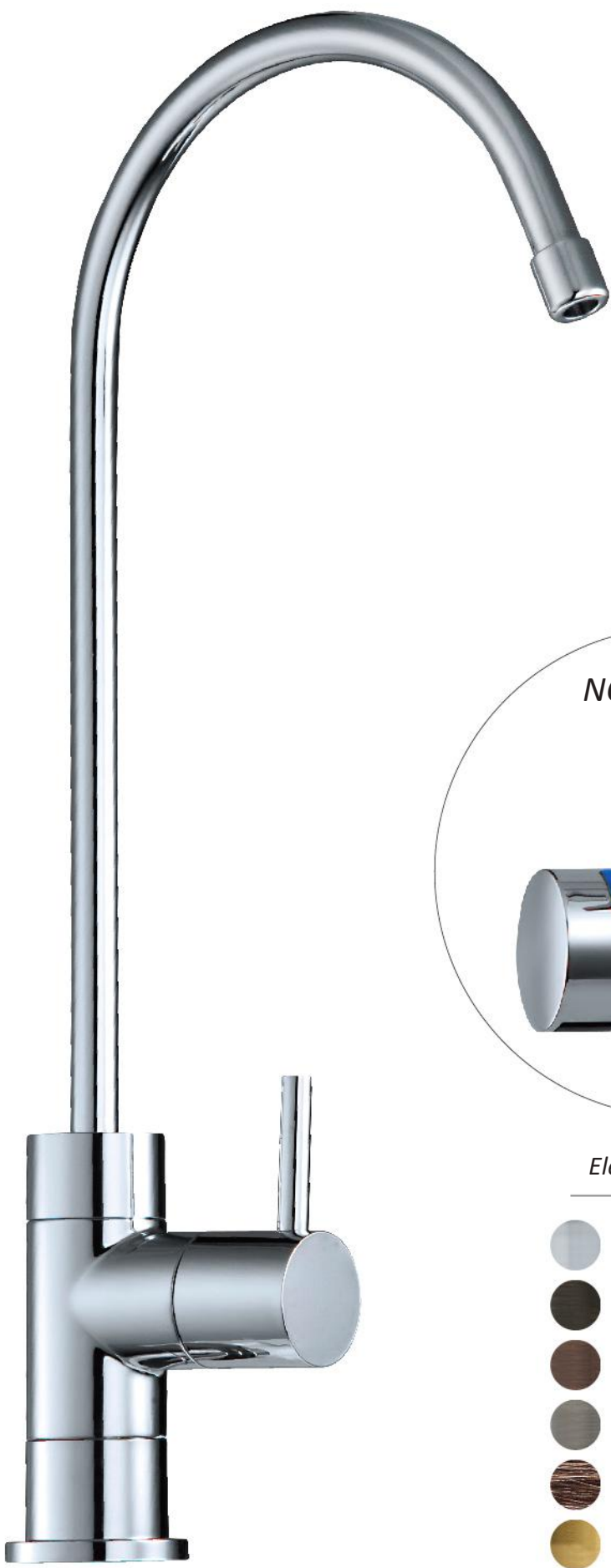
NCP9053CP-A

NCP9053CP

NCP9053CP-L

Available with:

- *air gap*
- *tubing attached*
- *quick connector*
- *multiple spouts*
- *2" or 3" shank*
- *LED timer indicator (NCP9053CP-L)*



Certified to
NSF/ANSI 61



This faucet is Tested and Certified by
NSF International against NSF/ANSI
61, 62 for materials and structural
requirements
COMPONENT

NCPS803CP

NCPS803CP-L

Available with:

- *air gap*
- *tubing attached*
- *quick connector*
- *multiple spouts*
- *2" or 3" shank*
- *45mm big base for US/CA market*
- *LED timer indicator (NCPS803CP-L)*



NCPS803CP-L

Electroplating

Powder coating

-  / *Chrome Plated*
-  / *Antique Brass*
-  / *Antique Wine*
-  / *Brushed Nickel*
-  / *Antique Bronze*
-  / *Bright Golden*

-  / *White*
-  / *Ivory*
-  / *Gray*
-  / *Red*
-  / *Bright Black*
-  / *Oil Rubbed Bronze*
-  / *Matt Black*



Certified to NSF/ANSI 61

Electroplating

-  / Chrome Plated
-  / Antique Brass
-  / Antique Wine
-  / Brushed Nickel
-  / Antique Bronze
-  / Bright Golden

Powder coating

-  / White
-  / Ivory
-  / Gray
-  / Red
-  / Bright Black
-  / Oil Rubbed Bronze
-  / Matt Black



Color

-  / White
-  / Yellow

NCPB13WE

- Available with:*
- air gap
 - tubing attached
 - quick connector
 - 2" or 3" shank
 - white or yellow finished
 - non NSF compliant

NCPA183CP

- Available with:*
- air gap
 - tubing attached
 - quick connector
 - multiple spouts
 - 2" or 3" shank
 - LED timer indicator
 - NSF compliant



Certified to NSF/ANSI 61



Customized Logo

NCPC153CP-W

NCPC183CP-W

Available with:

- tubing attached
- quick connector
- 2" or 3" shank
- LED timer indicator
- chrome plated finish only



Certified to
NSF/ANSI 61

> *NCD1N3CP*

- *cold only*
- *lead-free brass*
- *2", 3" or 4" shank*

> *NHD1N3CP*

- *hot only*
- *lead-free brass*
- *2", 3" or 4" shank*
- *auto-return*

> *NHD1NV3CP*

- *hot only (vented faucet)*
- *lead-free brass*
- *auto-return*
- *teflon/LLDPE*
(3 tubing installed)



Electroplating

-  / *Chrome Plated*
-  / *Antique Brass*
-  / *Antique Wine*
-  / *Brushed Nickel*
-  / *Antique Bronze*
-  / *Bright Golden*



Certified to NSF/ANSI 61

NCD2N3CP

- cold only
- lead-free brass
- 2", 3" or 4" shank

NHD2N3CP

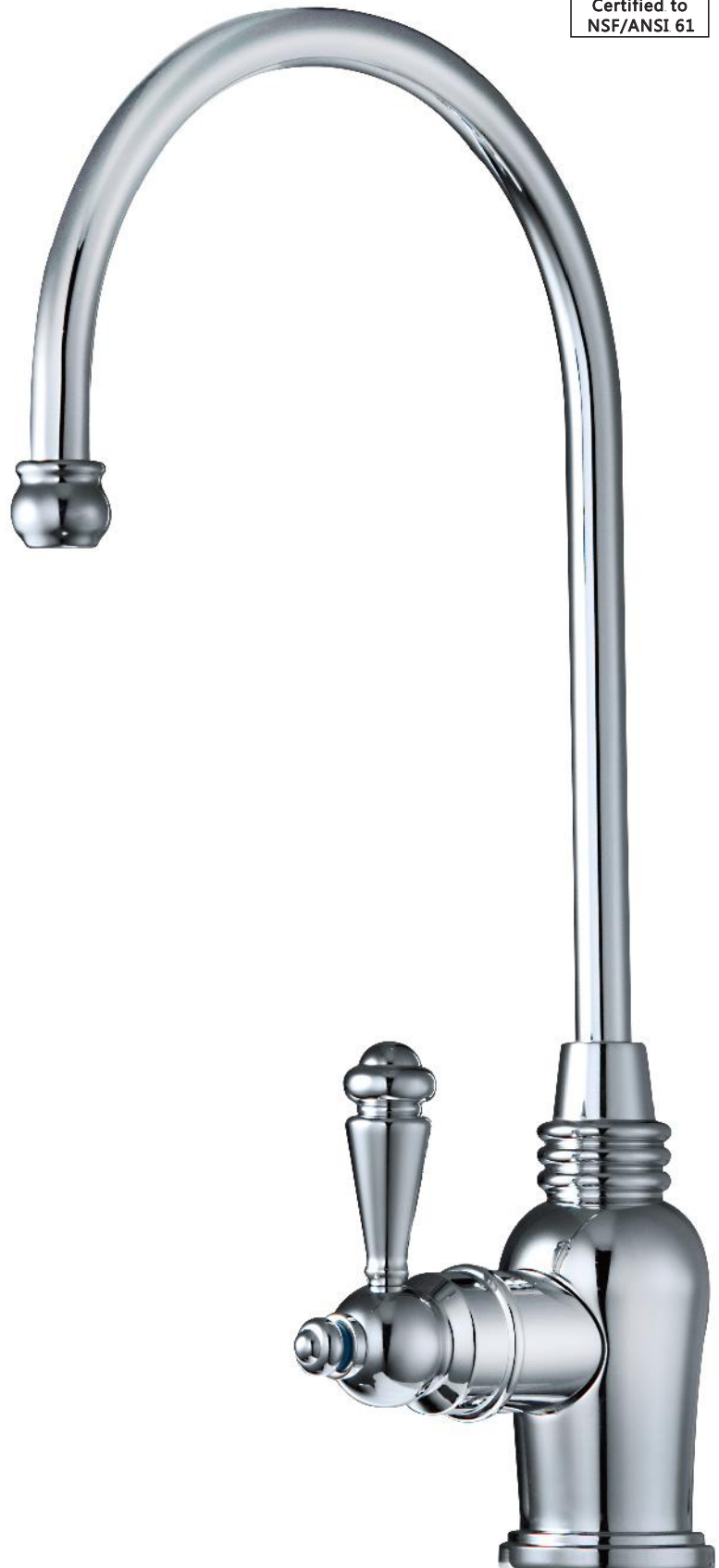
- hot only
- lead-free brass
- 2", 3" or 4" shank
- auto-return

NHD2NV3CP

- hot only (vented faucet)
- lead-free brass
- auto-return
- teflon/LLDPE (3 tubing installed)

Electroplating

-  / Chrome Plated
-  / Antique Brass
-  / Antique Wine
-  / Brushed Nickel
-  / Antique Bronze
-  / Bright Golden



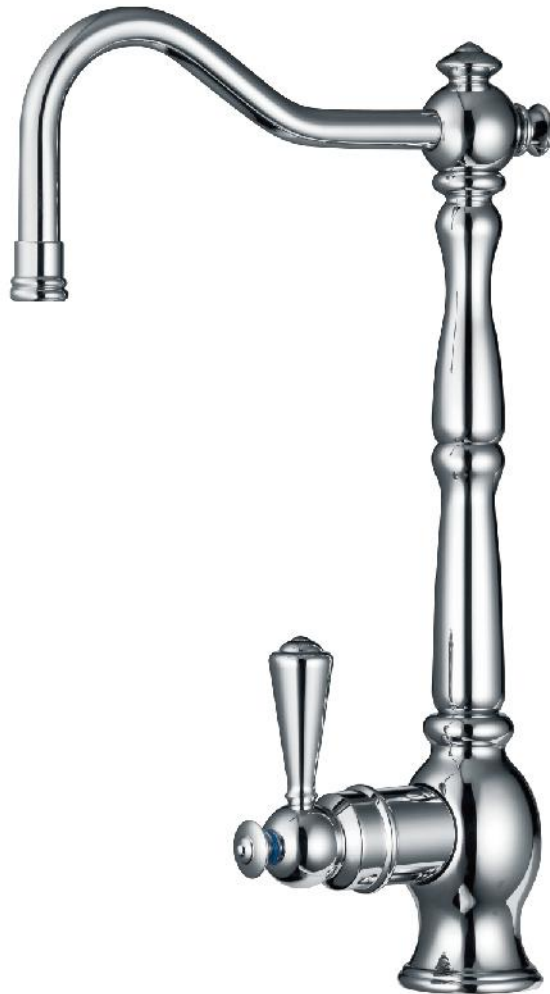


Certified to NSF/ANSI 61



NCD3N3CP

- cold only
- lead-free brass
- 2", 3" or 4" shank



NCD4N3CP

- cold only
- lead-free brass
- 2", 3" or 4" shank

Electroplating

-  / Chrome Plated
-  / Antique Brass
-  / Antique Wine
-  / Brushed Nickel
-  / Antique Bronze
-  / Bright Golden

NHD4N3CP

- hot only
- lead-free brass
- 2", 3" or 4" shank
- auto-return

NHD4NV3CP

- hot only (vented faucet)
- lead-free brass
- auto-return
- teflon/LLDPE
(3 tubing installed)



Certified to
NSF/ANSI 61



NHCD10CP

- hot and cold (vented faucet)
- auto-return built-in hot handle
- 3 tubing installed
- NSF compliant
- WaterMark compliant

NCD8S3BD

- available with air gap
- stainless steel #304
- polished or brushed finish only
- filtered and cold
(single handle w/two directions)
- non NSF compliant
- non WaterMark compliant

Electroplating

- / Chrome Plated
- / Antique Brass
- / Antique Wine
- / Brushed Nickel
- / Antique Bronze
- / Bright Golden



Certified to
NSF/ANSI 61

NHCD1S3PD

- hot and cold (vented faucet)
- stainless steel #304
- polished or brushed finish
- auto-return built-in hot handle
- teflon/LLDPE (3 tubing installed)

NHAD1S3PD

- hot and chilled
- stainless steel #304
- polished or brushed finish
- auto-return built-in hot handle
- teflon/LLDPE (2 tubing installed)

NSCD1S3PD

- sparkling and chilled
- stainless steel #304
- polished or brushed finish
- auto-return built-in sparkling handle
- LLDPE (2 tubing installed)



Certified to
NSF/ANSI 61



NHCD2S3PD

- hot and cold (vented faucet)
- stainless steel #304
- polished or brushed finish
- auto-return built-in hot handle
- teflon/LLDPE
(3 tubing installed)

NHAD2S3PD

- hot and chilled
- stainless steel #304
- polished or brushed finish
- auto-return built-in hot handle
- teflon/LLDPE
(2 tubing installed)

NSCD2S3PD

- sparkling and chilled
- stainless steel #304
- polished or brushed finish
- auto-return built-in sparkling handle
- LLDPE (2 tubing installed)



Certified to
NSF/ANSI 61

NHCD3S3PD

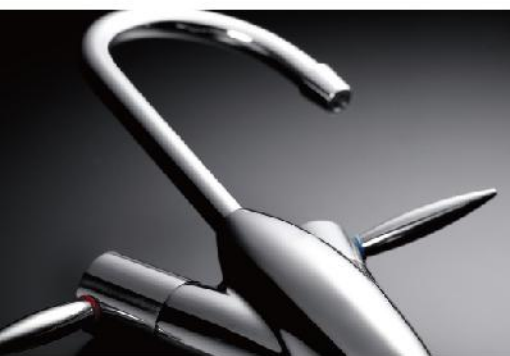
- hot and cold (vented faucet)
- stainless steel #304
- polished or brushed finish
- auto-return built-in hot handle
- teflon/LLDPE
(3 tubing installed)

NHAD3S3PD

- hot and chilled
- stainless steel #304
- polished or brushed finish
- auto-return built-in hot handle
- teflon/LLDPE
(2 tubing installed)

NSCD3S3PD

- sparkling and chilled
- stainless steel #304
- polished or brushed finish
- auto-return built-in sparkling handle
- LLDPE (2 tubing installed)





NSF

Certified to
NSF/ANSI 61

> NHCD4S3PD

- hot and cold (vented faucet)
- stainless steel #304
- polished or brushed finish
- auto-return built-in hot handle
- teflon/LLDPE
(3 tubing installed)

> NHAD4S3PD

- hot and chilled
- stainless steel #304
- polished or brushed finish
- auto-return built-in hot handle
- teflon/LLDPE
(2 tubing installed)

> NSCD4S3PD

- sparkling and chilled
- stainless steel #304
- polished or brushed finish
- auto-return built-in sparkling handle
- LLDPE (2 tubing installed)



Certified to NSF/ANSI 61



NPHCD7CP

- hot and cold
- plastic internal body
- teflon/LLDPE
(2 tubing installed)
- auto-return built-in hot handle

NPSCD7CP

- sparkling and chilled
- plastic internal body
- LLDPE
(2 tubing installed)



Electroplating

-  / Chrome Plated
-  / Antique Brass
-  / Antique Wine
-  / Brushed Nickel
-  / Antique Bronze
-  / Bright Golden

Powder coating

-  / White
-  / Ivory
-  / Gray
-  / Red
-  / Bright Black
-  / Oil Rubbed Bronze
-  / Matt Black



Certified to NSF/ANSI 61



NPHCD11CP

- hot and cold (vented faucet)
- auto-return built-in hot handle
- plastic internal body
- teflon/LLDPE (3 tubing installed)
- NSF compliant
- WaterMark compliant

NPHAD11CP

- hot and chilled
- auto-return built-in hot handle
- plastic internal body
- teflon/LLDPE (2 tubing installed)
- non NSF compliant
- non WaterMark compliant

Electroplating

- / Chrome Plated
- / Antique Brass
- / Antique Wine
- / Brushed Nickel
- / Antique Bronze
- / Bright Golden

Powder coating

- / White
- / Ivory
- / Gray
- / Red
- / Bright Black
- / Oil Rubbed Bronze
- / Matt Black



Certified to NSF/ANSI 61



NPHCD12CP

- hot and cold (vented faucet)
- with safety mechanism & auto return
- plastic internal body
- teflon/LLDPE (3 tubing installed)
- NSF compliant
- WaterMark compliant

NPHAD12CP

- hot and chilled
- with safety mechanism & auto return
- plastic internal body
- teflon/LLDPE (2 tubing installed)
- non NSF compliant
- non WaterMark compliant

NPSCD12CP

- sparkling and chilled
- with safety mechanism & auto return
- plastic internal body
- LLDPE (2 tubing installed)
- non NSF compliant
- non WaterMark compliant

Electroplating

- / Chrome Plated
- / Antique Brass
- / Antique Wine
- / Brushed Nickel
- / Antique Bronze
- / Bright Golden

Powder coating

- / White
- / Ivory
- / Gray
- / Red
- / Bright Black
- / Oil Rubbed Bronze
- / Matt Black



Certified to
NSF/ANSI 61



Electroplating

Powder coating



/ Chrome Plated



/ Antique Brass



/ Antique Wine



/ Brushed Nickel



/ Antique Bronze



/ Bright Golden



/ White



/ Ivory



/ Gray



/ Red



/ Bright Black



/ Oil Rubbed Bronze



/ Matt Black

NPFCD133CP

- *filter and cold*
- *plastic internal body*
- *two separate water paths connection*
- *45mm big base for US/CA market*



Certified to NSF/ANSI 61



Electroplating

Powder coating

-  / *Chrome Plated*
-  / *Antique Brass*
-  / *Antique Wine*
-  / *Brushed Nickel*
-  / *Antique Bronze*
-  / *Bright Golden*

-  / *White*
-  / *Ivory*
-  / *Gray*
-  / *Red*
-  / *Bright Black*
-  / *Oil Rubbed Bronze*
-  / *Matt Black*

NKDPS1212CP-LAB

- *tri-flow faucet hot/cold and filter water with LED timer indicator*
- *options with 3/8" and 1/2" steel-wire-braided connection hoses*
- *the connecting hose is 1.5 feet long, also available in longer models*
- *plastic internal body*
- *non LED timer indicator (NKDPS1212CP-AB)*

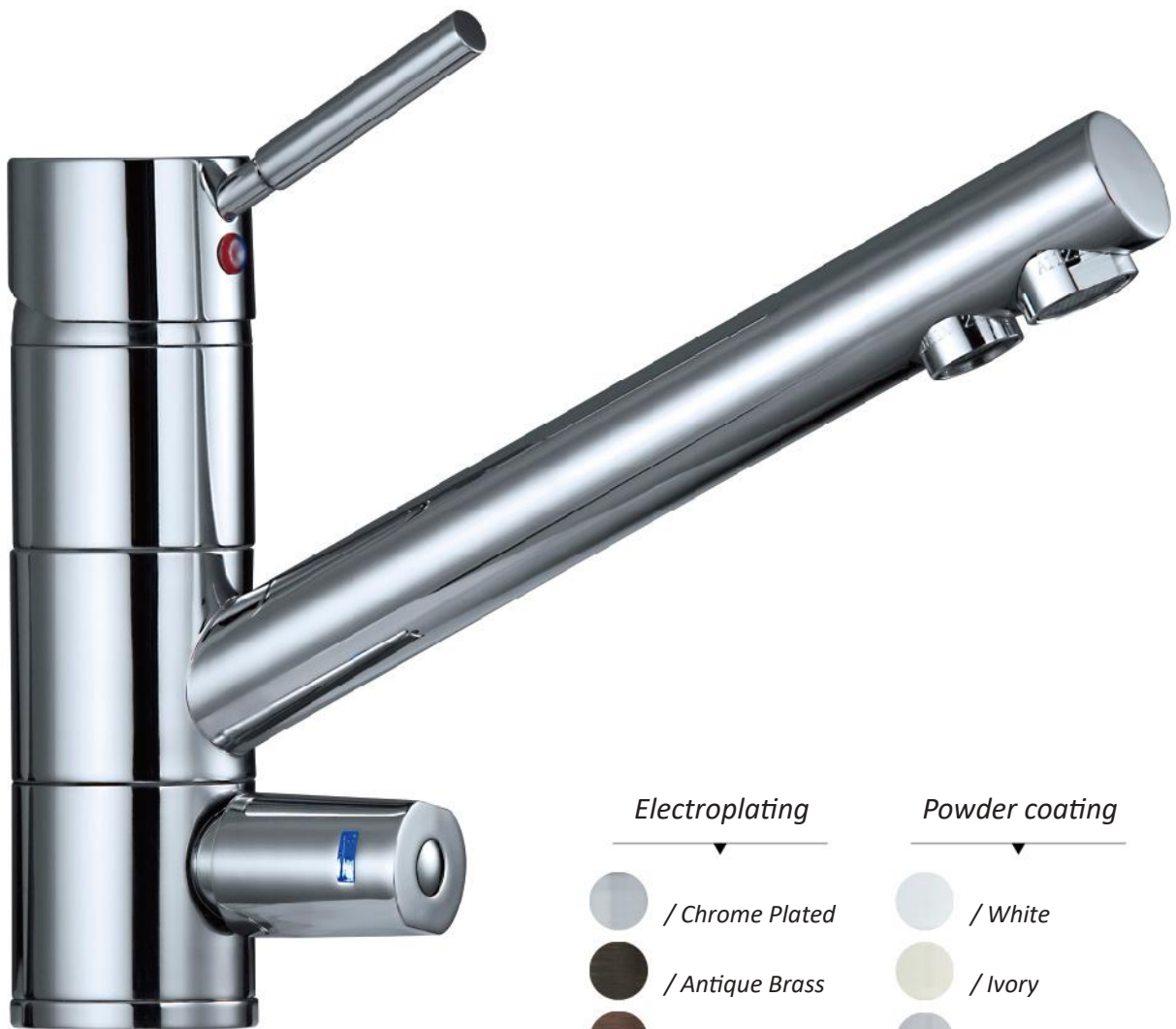


Certified to NSF/ANSI 61



NKDP1212CP-LAB

- tri-flow faucet hot/cold and filter water with LED timer indicator
- options with 3/8" and 1/2" steel-wire-braided connection hoses
- the connecting hose is 1.5 feet long, also available in longer models
- available with solid brass (NKD12N12CP-LAB)
- non LED timer indicator (NKDP1212CP-AB)



Electroplating

- / Chrome Plated
- / Antique Brass
- / Antique Wine
- / Brushed Nickel
- / Antique Bronze
- / Bright Golden

Powder coating

- / White
- / Ivory
- / Gray
- / Red
- / Bright Black
- / Oil Rubbed Bronze
- / Matt Black



Certified to NSF/ANSI 61



Electroplating

Powder coating

-  / *Chrome Plated*
-  / *Antique Brass*
-  / *Antique Wine*
-  / *Brushed Nickel*
-  / *Antique Bronze*
-  / *Bright Golden*

-  / *White*
-  / *Ivory*
-  / *Gray*
-  / *Red*
-  / *Bright Black*
-  / *Oil Rubbed Bronze*
-  / *Matt Black*

NKDP0112CP-LAB

- *tri-flow faucet hot/cold and filter water with LED timer indicator*
- *options with 3/8" and 1/2" steel-wire-braided connection hoses*
- *the connecting hose is 1.5 feet long, also available in longer models*
- *available with solid brass (NKD01N12CP-LAB)*
- *non LED timer indicator (NKDP0112CP-AB)*



Electroplating



Chrome Plated



Antique Brass



Antique Wine



Brushed Nickel



Antique Bronze



Bright Golden

Powder coating



White



Ivory



Gray



Red



Bright Black



Oil Rubbed Bronze



Matt Black



Certified to NSF/ANSI 61



NKDP0212CP-LAB

- tri-flow faucet hot/cold and filter water with LED timer indicator
- options with 3/8" and 1/2" steel-wire-braided connection hoses
- the connecting hose is 1.5 feet long, also available in longer models
- available with solid brass (NKD02N12CP-LAB)
- non LED timer indicator (NKDP0212CP-AB)



Electroplating

Powder coating

-  / Chrome Plated
-  / Antique Brass
-  / Antique Wine
-  / Brushed Nickel
-  / Antique Bronze
-  / Bright Golden

-  / White
-  / Ivory
-  / Gray
-  / Red
-  / Bright Black
-  / Oil Rubbed Bronze
-  / Matt Black

NKDPS0212CP-AB

- tri-flow faucet hot/cold and filter water
- options with 3/8" and 1/2" steel-wire-braided connection hoses
- the connecting hose is 1.5 feet long, also available in longer models



Certified to NSF/ANSI 61



NKDP0312CP-LAB

NKD04N12CP-LAB

- tri-flow faucet hot/cold and filter water with LED timer indicator
- options with 3/8" and 1/2" steel-wire-braided connection hoses
- the connecting hose is 1.5 feet long, also available in longer models
- available with solid brass (NKD03N12CP-LAB)
- non LED timer indicator (NKDP0312CP-AB | NKD04N12CP-AB)

Electroplating

Powder coating

-  / Chrome Plated
-  / Antique Brass
-  / Antique Wine
-  / Brushed Nickel
-  / Antique Bronze
-  / Bright Golden

-  / White
-  / Ivory
-  / Gray
-  / Red
-  / Bright Black
-  / Oil Rubbed Bronze
-  / Matt Black



Certified to
NSF/ANSI 61



Electroplating

-  / Chrome Plated
-  / Antique Brass
-  / Antique Wine
-  / Brushed Nickel
-  / Antique Bronze
-  / Bright Golden

Powder coating

-  / White
-  / Ivory
-  / Gray
-  / Bright Black
-  / Oil Rubbed Bronze
-  / Matt Black

NKD05BN12CP-AB

- *tri-flow faucet hot/cold and filter water*
- *operated by single handle*
- *options with 3/8" and 1/2" steel-wire-braided connection hoses*
- *the connecting hose is 1.5 feet long, also available in longer models*
- *solid brass body*



Certified to
NSF/ANSI 61



NKDP07V12CP-AB

- tri-flow vented faucet hot/cold and instant hot water
- options with 3/8" and 1/2" steel-wire-braided connection hoses
- the connecting hose is 1.5 feet long, also available in longer models
- available with safety mechanism & auto return

Electroplating

-  / Chrome Plated
-  / Antique Brass
-  / Antique Wine
-  / Brushed Nickel
-  / Antique Bronze
-  / Bright Golden

Powder coating

-  / White
-  / Ivory
-  / Gray
-  / Red
-  / Bright Black
-  / Oil Rubbed Bronze
-  / Matt Black



Certified to NSF/ANSI 61



NKD22N12CP-LAB

NKDP2712CP-LAB

- tri-flow faucet hot/cold and filter water with LED timer indicator
- options with 3/8" and 1/2" steel-wire-braided connection hoses
- the connecting hose is 1.5 feet long, also available in longer models
- non LED timer indicator (NKD22N12CP-AB | NKDP2712CP-AB)

Electroplating

Powder coating

-  / Chrome Plated
-  / Antique Brass
-  / Antique Wine
-  / Brushed Nickel
-  / Antique Bronze
-  / Bright Golden

-  / White
-  / Ivory
-  / Gray
-  / Red
-  / Bright Black
-  / Oil Rubbed Bronze
-  / Matt Black



Certified to NSF/ANSI 61



NKDP3212CP-LAB

NKDP3512CP-LAB

- tri-flow faucet hot/cold and filter water with LED timer indicator
- options with 3/8" and 1/2" steel-wire-braided connection hoses
- the connecting hose is 1.5 feet long, also available in longer models
- plastic internal body
- non LED timer indicator (NKDP3212CP-AB | NKDP3512CP-AB)

Electroplating

Powder coating

-  / Chrome Plated
-  / Antique Brass
-  / Antique Wine
-  / Brushed Nickel
-  / Antique Bronze
-  / Bright Golden

-  / White
-  / Ivory
-  / Gray
-  / Red
-  / Bright Black
-  / Oil Rubbed Bronze
-  / Matt Black



Certified to NSF/ANSI 61



NKDP3712CP-LAB

NKDP3812CP-LAB

NKDP3912CP-LAB

- tri-flow faucet hot/cold and filter water with LED timer indicator
- options with 3/8" and 1/2" steel-wire-braided connection hoses
- the connecting hose is 1.5 feet long, also available in longer models
- plastic internal body
- non LED timer indicator (NKDP3712CP-AB | NKDP3812CP-AB | NKDP3912CP-AB)

Electroplating

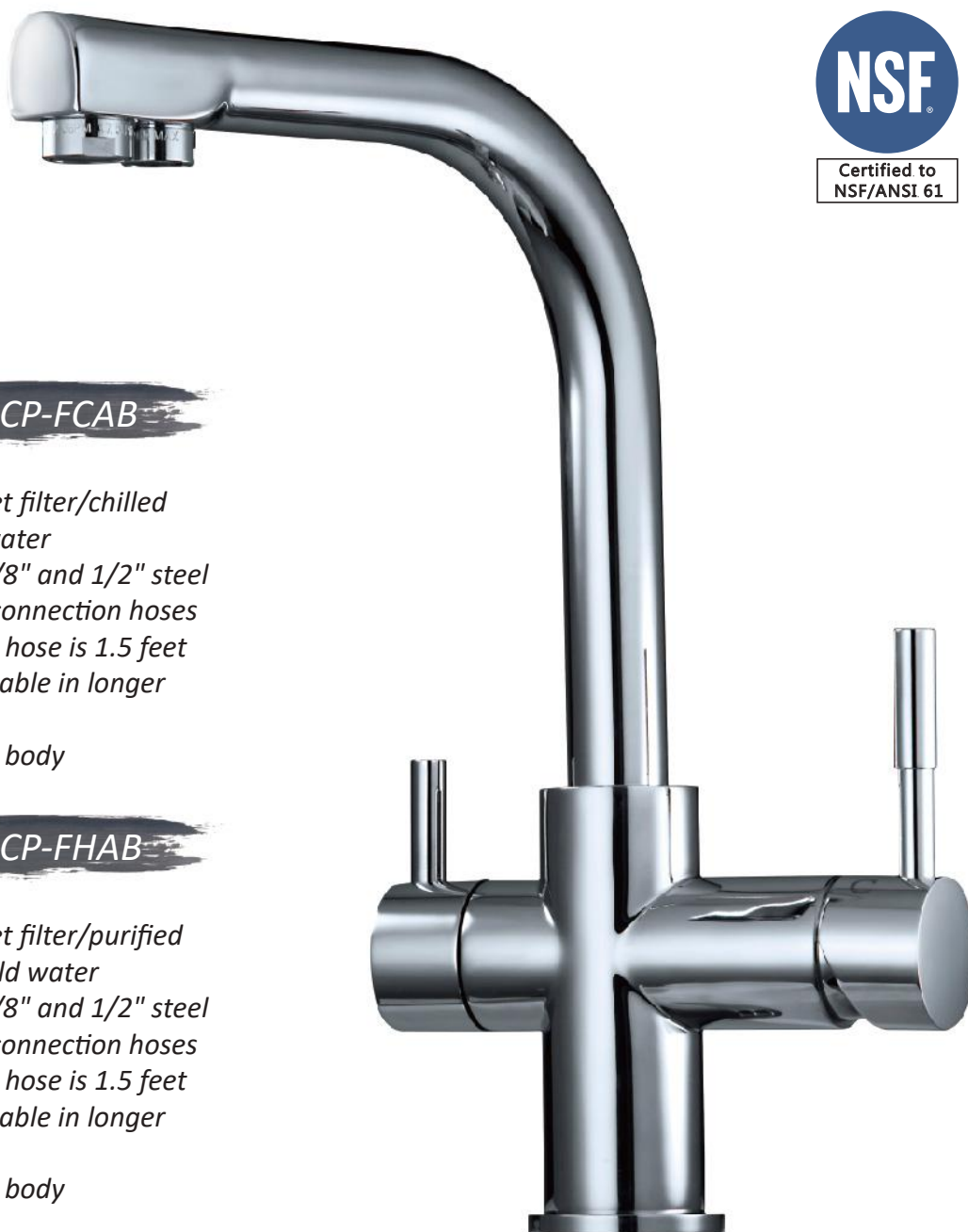
Powder coating

- / Chrome Plated
- / Antique Brass
- / Antique Wine
- / Brushed Nickel
- / Antique Bronze
- / Bright Golden

- / White
- / Ivory
- / Gray
- / Red
- / Bright Black
- / Oil Rubbed Bronze
- / Matt Black



Certified to NSF/ANSI 61



NKDP4212CP-FCAB

- four-flow faucet filter/chilled and hot/cold water
- options with 3/8" and 1/2" steel -wire-braided connection hoses
- the connecting hose is 1.5 feet long, also available in longer models
- plastic internal body

NKDP4212CP-FHAB

- four-flow faucet filter/purified hot and hot/cold water
- options with 3/8" and 1/2" steel -wire-braided connection hoses
- the connecting hose is 1.5 feet long, also available in longer models
- plastic internal body

NKDP4212CP-FSAB

- four-flow faucet filter/sparkling and hot/cold water
- options with 3/8" and 1/2" steel -wire-braided connection hoses
- the connecting hose is 1.5 feet long, also available in longer models
- plastic internal body

Electroplating

- / Chrome Plated
- / Antique Brass
- / Antique Wine
- / Brushed Nickel
- / Antique Bronze
- / Bright Golden

Powder coating

- / White
- / Ivory
- / Gray
- / Red
- / Bright Black
- / Oil Rubbed Bronze
- / Matt Black

Electroplating



NKD25N12CP-AB

- cold and hot faucet (city water only)
- options with 3/8" and 1/2" steel-wire-braided connection hoses
- the connecting hose is 1.5 feet long, also available in longer models



Chrome Plated



Antique Brass



Antique Wine



Brushed Nickel



Antique Bronze



Bright Golden

Powder coating



White



Ivory



Gray



Red



Bright Black



Oil Rubbed Bronze



Matt Black



NKDP2612CP

- cold and hot faucet (city water only)
- options with 3/8" and 1/2" steel-wire-braided connection hoses
- the connecting hose is 1.5 feet long, also available in longer models
- plastic internal body



NKDP3312CP

NKDP3412CP

NKDP3612CP

- cold and hot faucet (city water only)
- options with 3/8" and 1/2" steel-wire-braided connection hoses
- the connecting hose is 1.5 feet long, also available in longer models
- plastic internal body

Electroplating

Powder coating

-  / Chrome Plated
-  / Antique Brass
-  / Antique Wine
-  / Brushed Nickel
-  / Antique Bronze
-  / Bright Golden

-  / White
-  / Ivory
-  / Gray
-  / Red
-  / Bright Black
-  / Oil Rubbed Bronze
-  / Matt Black





NKD49N12CP-AB

- tri-flow faucet hot/cold and filter water with folding swivel spout
- operated by single handle
- options with 3/8" and 1/2" steel-wire-braided connection hoses
- the connecting hose is 1.5 feet long, also available in longer models
- typically used with under window sinks

Electroplating

- / Chrome Plated
- / Brushed Nickel

Electroplating

-  / Chrome Plated
-  / Brushed Nickel



NKD48N12CP-AB

- *tri-flow faucet hot/cold and filter water*
- *faucet pulldown hose offers flexible water delivery and hose retracts with ease*
- *options with 3/8" and 1/2" steel-wire-braided connection hoses*
- *the connecting hose is 1.5 feet long, also available in longer models*



• it can be easily rotated in all directions

• the pullout spout is extendable and swivels up to 110 °

NKD51N12CP-AB

- tri-flow faucet hot/cold and filter water
- options with 3/8" and 1/2" steel-wire-braided connection hoses and copper connector tubes
- the connecting hose is 1.5 feet long, also available in longer models

Electroplating

- / Chrome Plated
- / Brushed Nickel



NKDS0212CP-L

- *tri-flow faucet hot/cold and filter water with LED timer indicator*
- *available in 2 spout sizes for easily washing the primary and secondary sink applications*
- *the hose comes with ball joint for quit, ligh and easy operation*
- *an innovative design makes it shift effortlessly*
- *chrome plated or brushed nickel finish*



Certified to
NSF/ANSI 61



NCPV133CP

NCPV203CP

NCPV633GCP

Available with:

- *2" or 3" plastic shank*
- *chrome plated finish only*

Available with:

- *air gap*
- *tubing attached*
- *quick connector*
- *2" or 3" plastic shank*
- *chrome plated finish only*



Certified to
NSF/ANSI 61



NCPV6033CP

NCPV6033CP-A

Available with:

- air gap
- tubing attached
- quick connector
- multiple spouts
- 2" or 3" shank
- LED timer indicator (*NCPV6033CP-L*)

Electroplating

Powder coating

 / Chrome Plated

 / Antique Brass

 / Antique Wine

 / Brushed Nickel

 / Antique Bronze

 / Bright Golden

 / White

 / Ivory

 / Gray

 / Red

 / Bright Black

 / Oil Rubbed Bronze

 / Matt Black



Certified to NSF/ANSI 61



NCPV633CP

NCPV633CP-A

Available with:

- *air gap*
- *tubing attached*
- *quick connector*
- *multiple spouts*
- *2" or 3" shank*

Electroplating

Powder coating

-  / *Chrome Plated*
-  / *Antique Brass*
-  / *Antique Wine*
-  / *Brushed Nickel*
-  / *Antique Bronze*
-  / *Bright Golden*

-  / *White*
-  / *Ivory*
-  / *Gray*
-  / *Red*
-  / *Bright Black*
-  / *Oil Rubbed Bronze*
-  / *Matt Black*



Certified to
NSF/ANSI 61



NCPV7033CP

NCPV7033CP-A

Available with:

- air gap
- tubing attached
- quick connector
- multiple spouts
- 2" or 3" shank
- LED timer indicator (*NCPV7033CP-L*)

Electroplating

Powder coating

-  / Chrome Plated
-  / Antique Brass
-  / Antique Wine
-  / Brushed Nickel
-  / Antique Bronze
-  / Bright Golden

-  / White
-  / Ivory
-  / Gray
-  / Red
-  / Bright Black
-  / Oil Rubbed Bronze
-  / Matt Black



Certified to NSF/ANSI 61



NCPV883CP

NCPV8883CP

Available with:

- air gap
- tubing attached
- quick connector
- 2" or 3" shank
- 45mm big base for US/CA market
- LED timer indicator (NCPV883CP-L | NCPV8883CP-L)

Electroplating

Powder coating

- / Chrome Plated
- / Antique Brass
- / Antique Wine
- / Brushed Nickel
- / Antique Bronze
- / Bright Golden

- / White
- / Ivory
- / Gray
- / Red
- / Bright Black
- / Oil Rubbed Bronze
- / Matt Black



Certified to NSF/ANSI 61



NCPV9053CP

NCPV9053CP-A

Available with:

- air gap
- tubing attached
- quick connector
- multiple spouts
- 2" or 3" shank
- LED timer indicator (NCPV9053CP-L)

Electroplating

Powder coating

-  / Chrome Plated
-  / Antique Brass
-  / Antique Wine
-  / Brushed Nickel
-  / Antique Bronze
-  / Bright Golden

-  / White
-  / Ivory
-  / Gray
-  / Red
-  / Bright Black
-  / Oil Rubbed Bronze
-  / Matt Black

> NCPV893CP > NCPV833CP > NCPV803CP

Available with:

- *air gap*
 - *tubing attached*
 - *quick connector*
 - *2" or 3" shank*
 - *multiple spouts*
 - *45mm big base for US/CA market*
 - *LED timer indicator*
- (NCPV893CP-L | NCPV833CP-L | NCPV803CP-L)*





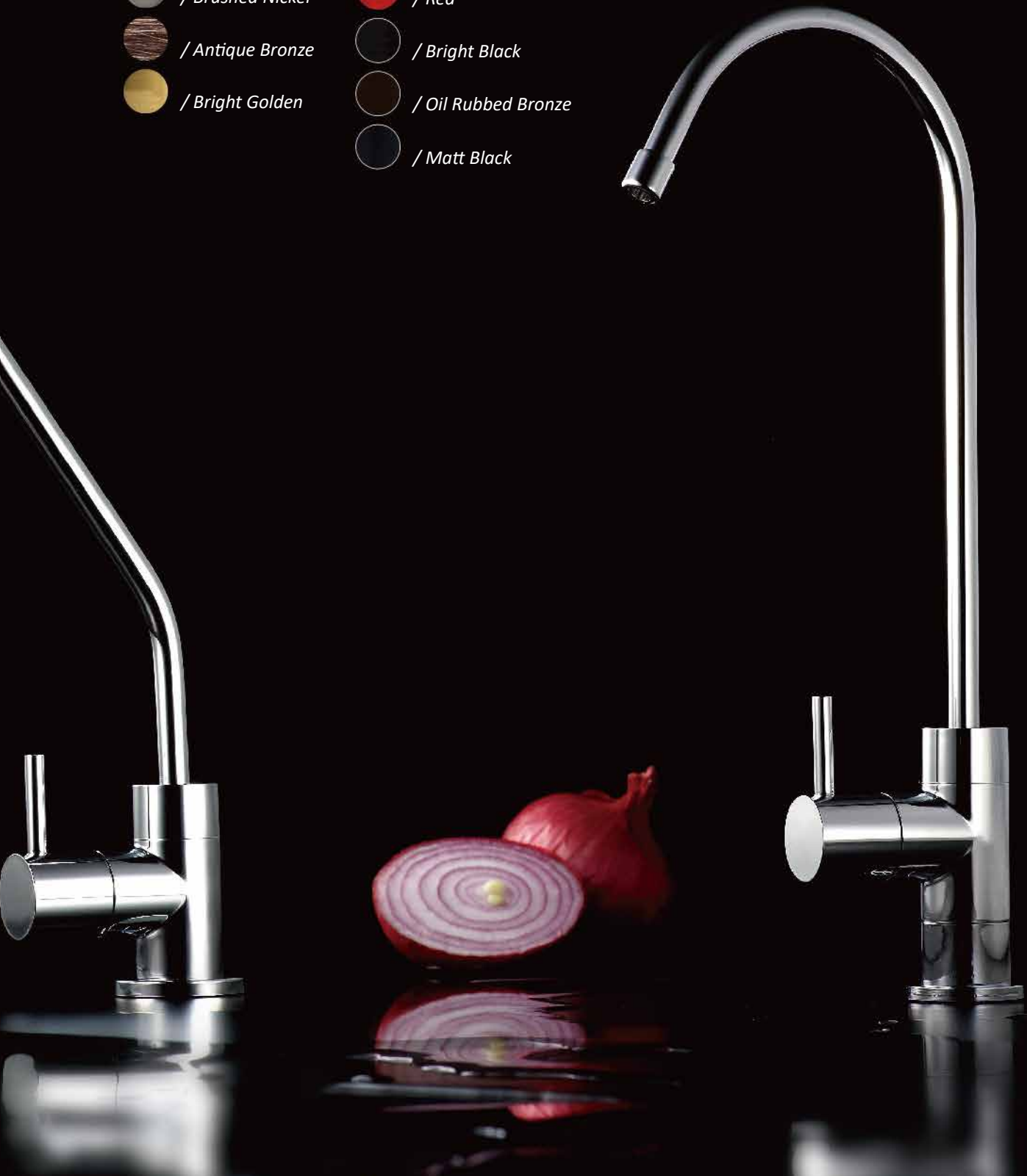
Certified to
NSF/ANSI 61

Electroplating

-  / *Chrome Plated*
-  / *Antique Brass*
-  / *Antique Wine*
-  / *Brushed Nickel*
-  / *Antique Bronze*
-  / *Bright Golden*

Powder coating

-  / *White*
-  / *Ivory*
-  / *Gray*
-  / *Red*
-  / *Bright Black*
-  / *Oil Rubbed Bronze*
-  / *Matt Black*



Likuan[®]

T + 886 4 7722201

F + 886 4 7722203



www.likuan.com

No. 79-58, Liaocuo Lane., Lukang
Township, Changhua County 505, Taiwan