

Lean. Fast. Innovative.

Superior Performance – Stay current with the state-of-the-art in LED technology.

Design Faster – Industry innovative materials shorten development time.

Maximum Flexibility – Design to your exact specifications using NewEnergy parts in your assemblies.

Rapid Innovation – Work with NewEnergy to develop your custom solutions.

Primary Applications

ERP Light Modules

TWM2	SWM1
AWM1	SWM2
SWC-28	TWC
SWC-50	TWM1
SWC-65	

Custom Solutions

NewEnergy and its global facilities maintain ISO certifications for the commercial and architectural lighting industries as well as the medical field. Our North Carolina headquarters provides engineering and sales support, along with an R&D lab for custom prototyping, innovative solutions, and streamlined product development. We support production in the United States and overseas, with an integrated supply chain and turnkey manufacturing support.

Features and Benefits

- NETP-ERP-nn-00n thermal pads feature custom sizing and screw clearances for use with all [ERP Light Modules](#) using NewEnergy heat sinks.
- Designed in the United States.
- Thickness 0.3mm.
- Thermal conductivity of 3 W/(m·K)
- Shipped with protective film on both sides (remove for proper installation, see instructions on page 4).
- Individually packaged for protection during shipping.
- Additional custom shapes, thicknesses and thermal conductivity values available. Give us a call or send us your sketch for a quote.

Info@New-EnergyLLC.com

* ERP 28 Series Light Modules are currently in development. Complementary heat sinks and thermal pads will be available after the light module is released.
Last Modified: 27MAR26



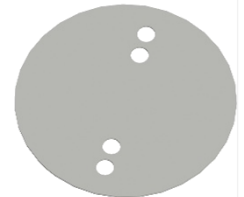
NETP-ERP-28-000*



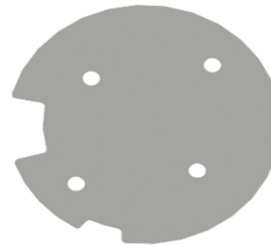
NETP-ERP-28-001*



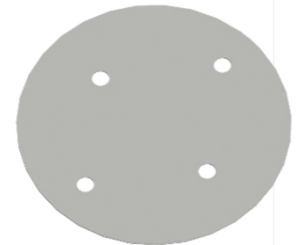
NETP-ERP-50-000



NETP-ERP-50-001



NETP-ERP-65-000



NETP-ERP-65-001

About NewEnergy

NewEnergy accelerates the adoption of LED technology through simple, modular products and custom designs. Through 30 years of experience, state of the art manufacturing, full traceability and advanced quality controls, NewEnergy offers leading solid state lighting components, modules and custom solutions. NewEnergy customers get to market faster, with less resources, at lower costs. Visit New-EnergyLLC.com for more information. Contact us at Info@New-EnergyLLC.com

CAUTION

The luminaire manufacturer is responsible for proper thermal management, in situ testing and confirming their luminaire meets the thermal requirements of the ERP light module in use.

NETP-ERP – Thermal Pad for ERP Light Modules

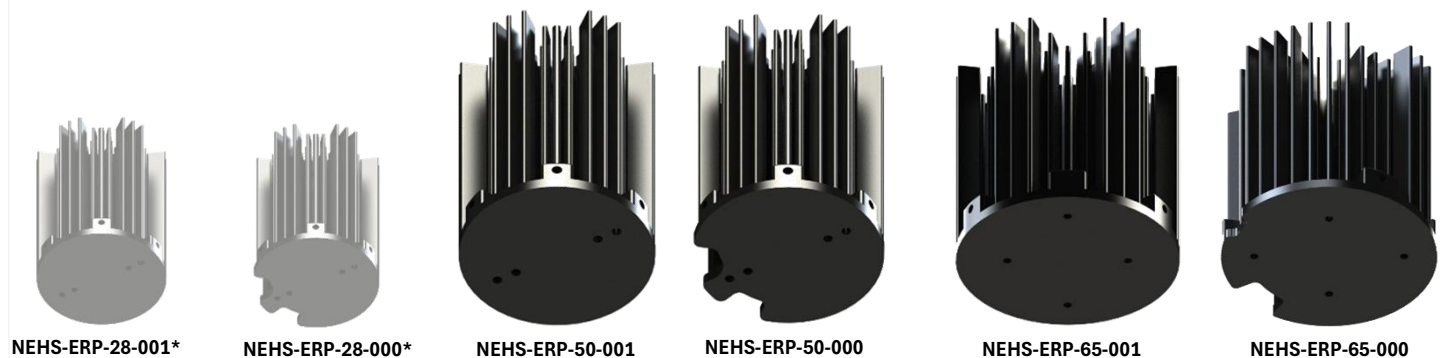
Part Number Table

For Use with ⁽¹⁾	Wire Configuration	NewEnergy Thermal Pad	Thermal Conductivity (W/m·K)	Color	Thickness (mm)
AWM1	Rear	NETP-ERP-50-000	3	Gray	0.3
AWM1	Side	NETP-ERP-50-001	3	Gray	0.3
SWC-28	Rear	NETP-ERP-28-000*	3	Gray	0.3
SWC-28	Side	NETP-ERP-28-001*	3	Gray	0.3
SWC-50	Side	NETP-ERP-50-001	3	Gray	0.3
SWC-65	Side	NETP-ERP-65-001	3	Gray	0.3
SWM1	Rear	NETP-ERP-50-000	3	Gray	0.3
SWM1	Side	NETP-ERP-50-001	3	Gray	0.3
SWM2	Rear	NETP-ERP-65-000	3	Gray	0.3
SWM2	Side	NETP-ERP-65-001	3	Gray	0.3
TWC	Rear	NETP-ERP-50-000	3	Gray	0.3
TWC	Side	NETP-ERP-50-001	3	Gray	0.3
TWM1	Rear	NETP-ERP-50-000	3	Gray	0.3
TWM1	Side	NETP-ERP-50-001	3	Gray	0.3
TWM2	Rear	NETP-ERP-65-000	3	Gray	0.3
TWM2	Side	NETP-ERP-65-001	3	Gray	0.3

⁽¹⁾ ERP base light modules are listed. NETP-ERP is designed to mate with NewEnergy designed heat sinks
All values shown above are typical unless noted.

NEHS-ERP-nn-00n Heat Sink Reference

See NEHS-ERP-nn-00n data sheet for detailed information.



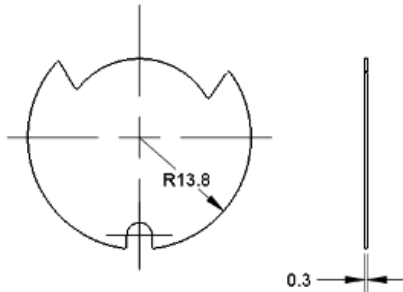
* ERP 28 Series Light Modules are currently in development. Complementary heat sinks and thermal pads will be available after the light module is released.
Last Modified: 27MAR26

NETP ERP TIM – Thermal Pad for ERP Light Modules

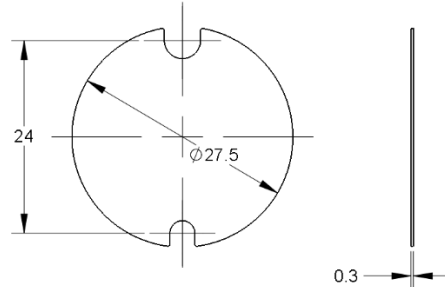
Dimensions

Units: mm

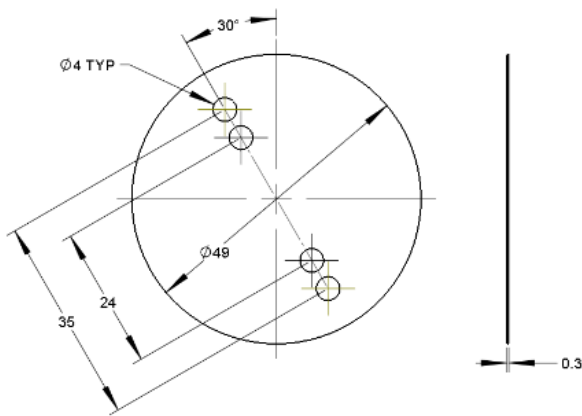
DO NOT SCALE DRAWING



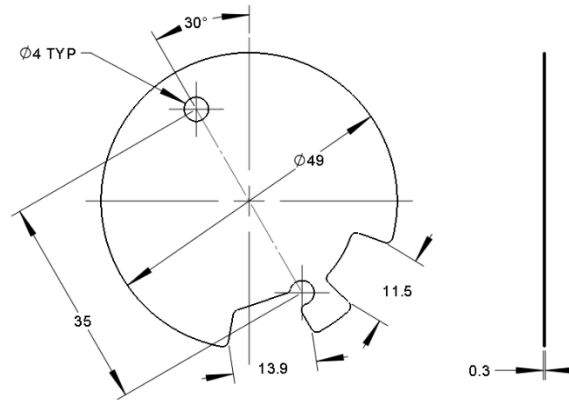
NETP-ERP-28-000*



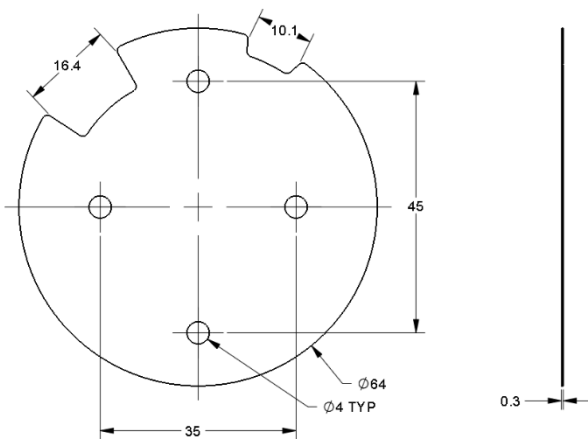
NETP-ERP-28-001*



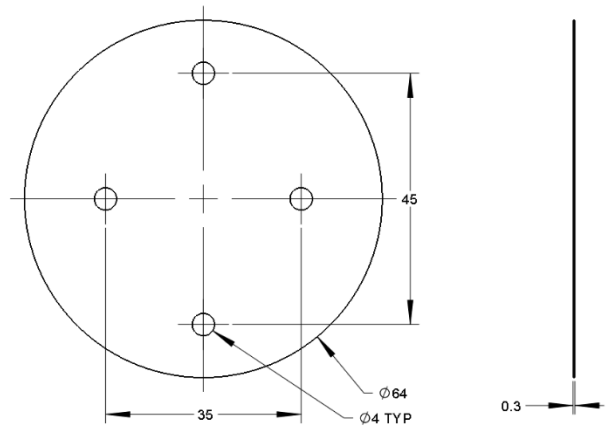
NETP-ERP-50-000



NETP-ERP-50-001



NETP-ERP-65-000



NETP-ERP-65-001

* ERP 28 Series Light Modules are currently in development. Complementary heat sinks and thermal pads will be available after the light module is released.

NETP ERP TIM – Thermal Pad for ERP Light Modules

INSTALLATION INSTRUCTIONS

1. Confirm heat sink face and light module mating surfaces are clean.
2. Remove thermal pad from bag.
3. Locate thermal pad on module to confirm proper orientation.
4. Remove protective skin cover from module side.
5. Place pad with remaining skin up on light module surface, align the notches and 2 screw holes.
6. Remove the remaining protective skin.
7. Attach heat sink.

