

Lean. Fast. Innovative.

Superior Performance – Stay current with the state-of-the-art in LED technology.

Design Faster – Industry innovative materials shorten development time.

Maximum Flexibility – Design to your exact specifications using NewEnergy parts in your assemblies.

Rapid Innovation – Work with NewEnergy to develop your custom solutions.

Primary Applications

ERP Light Modules

TWM2	SWM1
AWM1	SWM2
SWC-28	TWC
SWC-50	TWM1
SWC-65	

Custom Solutions

NewEnergy and its global facilities maintain ISO certifications for the commercial and architectural lighting industries as well as the medical field. Our North Carolina headquarters provides engineering and sales support, along with an R&D lab for custom prototyping, innovative solutions, and streamlined product development. We support production in the United States and overseas, with an integrated supply chain and turnkey manufacturing support.

Features and Benefits

- NEHS-ERP-nn-00n heat sinks feature custom sizing and wire clearances for use with all [ERP Light Modules](#).
- Designed in the United States.
- Finish – black anodized
- Material – aluminum alloy, selected for maximum thermal conductivity.
- Base thickness 3mm.
- Horizontal M3-0.5 mounting holes at 180° & 120°.
- Additional custom shapes and thermal solutions available. Give us a call or send us your sketch for a quote.

Info@New-EnergyLLC.com



NE HS-ERP-28-000*



NEHS-ERP-28-001*



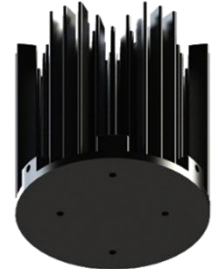
NEHS-ERP-50-000



NEHS-ERP-50-001



NEHS-ERP-65-000



NEHS-ERP-65-001

About NewEnergy

NewEnergy accelerates the adoption of LED technology through simple, modular products and custom designs. Through 30 years of experience, state of the art manufacturing, full traceability and advanced quality controls, NewEnergy offers leading solid state lighting components, modules and custom solutions. NewEnergy customers get to market faster, with less resources, at lower costs. Visit New-EnergyLLC.com for more information. Contact us at Info@New-EnergyLLC.com

CAUTION

The luminaire manufacturer is responsible for proper thermal management, in situ testing and confirming their luminaire meets the thermal requirements of the ERP light module in use.

NEHS-ERP – Custom Heat Sink for ERP Light Modules

Part Number Table

		ERP Light Module ⁽¹⁾ <i>R = Rear Exit Lead / S = Side Exit Leads</i>								
		AWM1	SWC-28	SWC-50	SWC-65	SWM1	SWM2	TWC	TWM1	TWM2
NewEnergy Heat Sink	NEHS-ERP-28-000*		R/S							
	NEHS-ERP-28-001*		S							
	NEHS-ERP-50-000	R/S	R/S	S		R/S		R/S	R/S	
	NEHS-ERP-50-001	S	S	S		S		S	S	
	NEHS-ERP-65-000	R/S		S	S	R/S	R/S	R/S	R/S	R/S
	NEHS-ERP-65-001	S		S	S	S	S	S	S	S

⁽¹⁾ ERP base light modules are listed. NEHS-ERP is designed to mate with NewEnergy designed and supplied complementary heat sinks

NETP-ERP-nn-00n Thermal Pad Reference

See NETP-ERP-nn-00n data sheet for detailed information.



NETP-ERP-28-001*



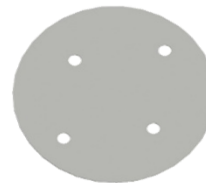
NETP-ERP-28-000*



NETP-ERP-50-001



NETP-ERP-50-000



NETP-ERP-65-001



NETP-ERP-65-000

* ERP 28 Series Light Modules are currently in development. Complementary heat sinks and thermal pads will be available after the light module is released.

NEHS-ERP – Custom Heat Sink for ERP Light Modules

Dimensions

Units: mm

DO NOT SCALE DRAWING

NEHS-ERP-28-000 is not currently released.

NEHS-ERP-28-000*

NEHS-ERP-28-001 is not currently released.

NEHS-ERP-28-001*

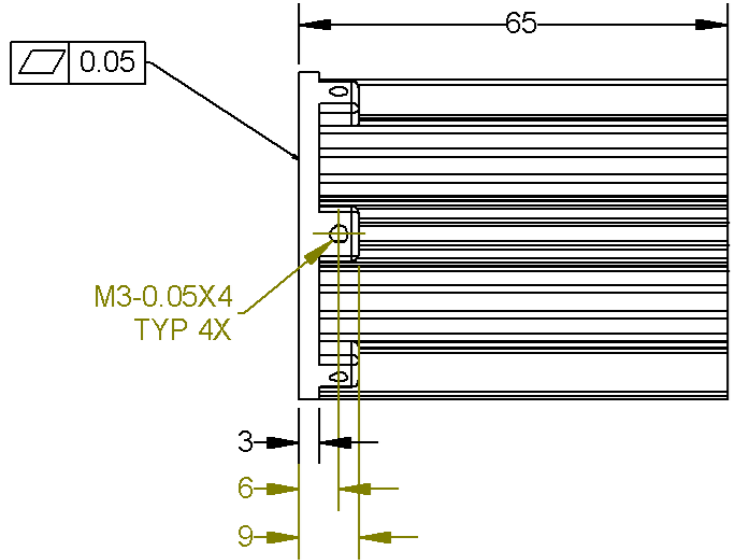
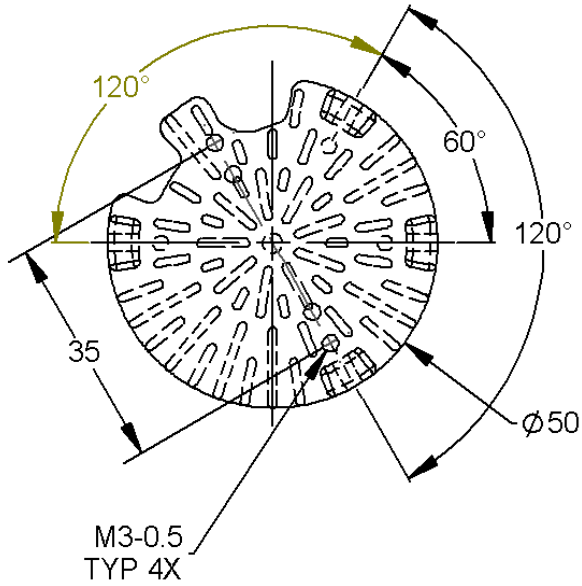
* ERP 28 Series Light Modules are currently in development. Complementary heat sinks and thermal pads will be available after the light module is released.
Last Modified: 27MAR26

NEHS-ERP – Custom Heat Sink for ERP Light Modules

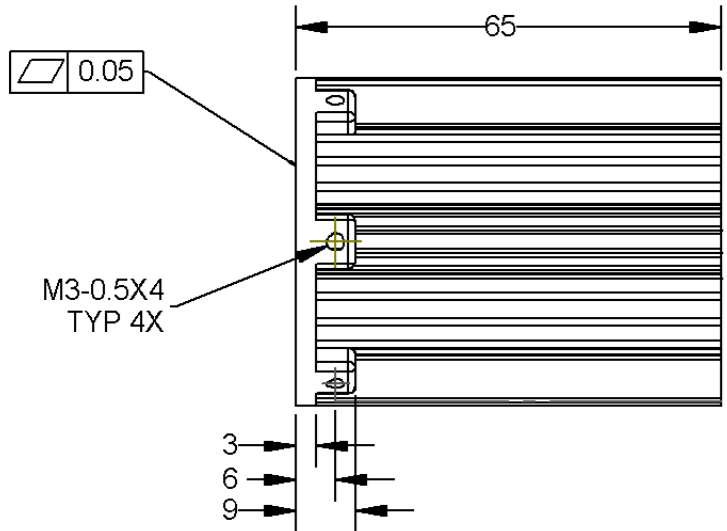
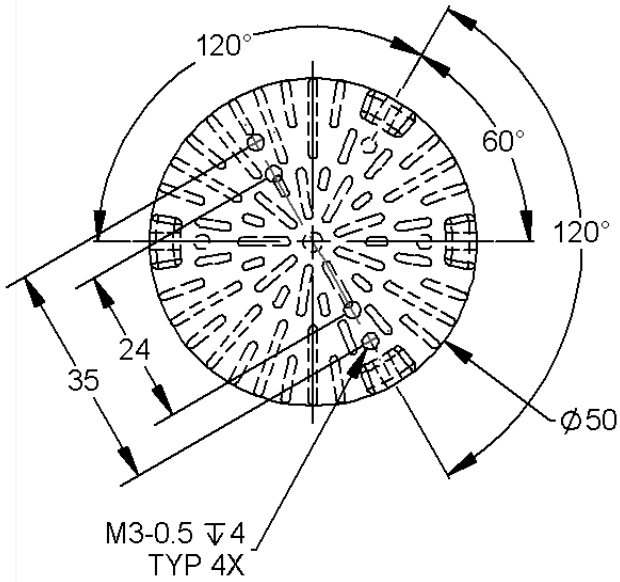
Dimensions (continued)

Units: mm

DO NOT SCALE DRAWING



NEHS-ERP-50-000

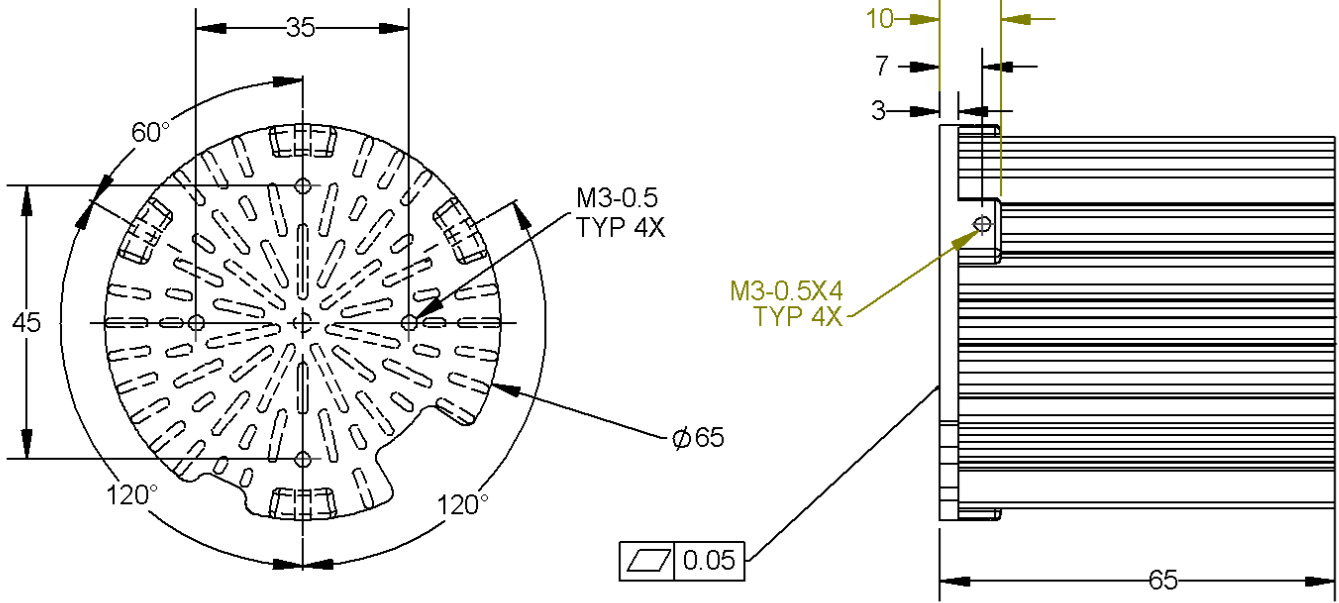


NEHS-ERP-50-001

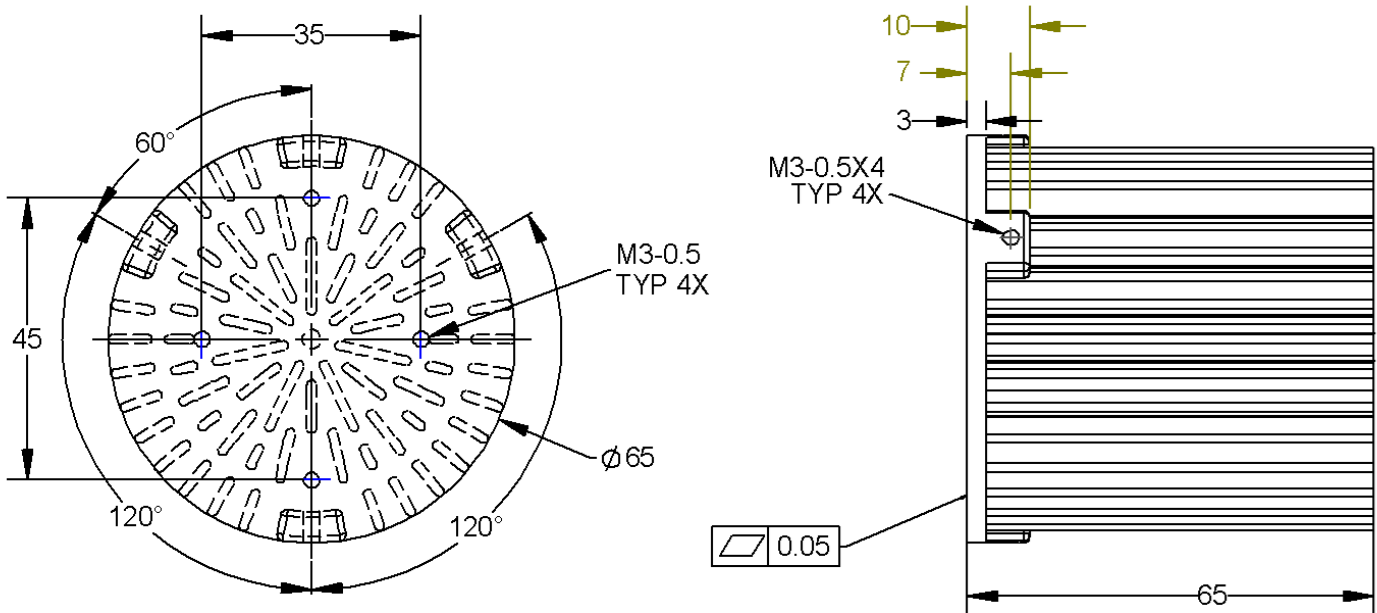
NEHS-ERP – Custom Heat Sink for ERP Light Modules

Dimensions (continued)

Units: mm
DO NOT SCALE DRAWING



NEHS-ERP-65-000



NEHS-ERP-65-001

NEHS-ERP – Custom Heat Sink for ERP Light Modules

INSTALLATION INSTRUCTIONS

1. Confirm heat sink face and light module mating surfaces are clean.
2. Remove thermal pad from bag.
3. Locate thermal pad on module to confirm proper orientation.
4. Remove protective skin cover from one side.
5. Place pad with remaining skin up on light module surface, align the notches and 2 screw holes.
6. Remove the remaining protective skin.
7. Attach heat sink.

