

SEALING SOLUTION

TAIMIK

Backup Rings

www.taimik.com

Backup Rings

For P Series Use	03
For G Series Use	07

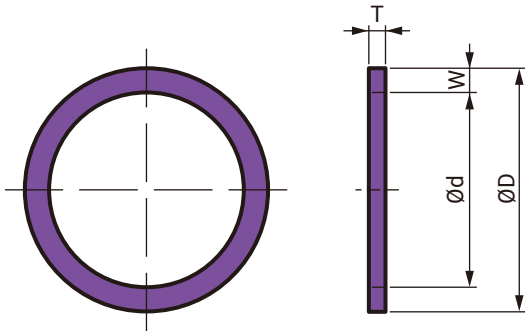
Backup Rings

Backup Rings



For P Series Use

JIS B 2401-4 Equivalent



Backup Ring Nominal No.	Endless						TMK Part No.	Applicable O-Ring JIS B 2401-1 Dimension No.
	Inside Dia.		Outside Dia.		Thickness			
	d		D		T		T3 (endless)	
P 3	3		6				BUNP3	P 3
P 4	4		7				BUNP4	P 4
P 5	5		8				BUNP5	P 5
P 6	6	+0.15	9	0	1.25	±0.10	BUNP6	P 6
P 7	7	0	10	-0.15			BUNP7	P 7
P 8	8		11				BUNP8	P 8
P 9	9		12				BUNP9	P 9
P 10	10		13				BUNP10	P 10
P 10A	10		14				BUNP10A	P 10A
P 11	11		15				BUNP11	P 11
P 11.2	11.2		15.2				BUNP11.2	P 11.2
P 12	12		16				BUNP12	P 12
P 12.5	12.5		16.5				BUNP12.5	P 12.5
P 14	14	+0.15	18	0	1.25	±0.10	BUNP14	P 14
P 15	15	0	19	-0.15			BUNP15	P 15
P 16	16		20				BUNP16	P 16
P 18	18		22				BUNP18	P 18
P 20	20		24				BUNP20	P 20
P 21	21		25				BUNP21	P 21
P 22	22		26				BUNP22	P 22
P 22A	22		28				BUNP22A	P 22A
P 22.4	22.4		28.4				BUNP22.4	P 22.4
P 24	24	+0.20	30	0	1.25	±0.10	BUNP24	P 24
P 25	25	0	31	-0.20			BUNP25	P 25
P 25.5	25.5		31.5				BUNP25.5	P 25.5
P 26	26		32				BUNP26	P 26



Backup Ring Nominal No.	Endless						TMK Part No.	Applicable O-Ring JIS B 2401-1 Dimension No.
	Inside Dia.		Outside Dia.		Thickness			
	d		D		T		T3 (endless)	
P 28	28		34				BUNP28	P 28
P 29	29		35				BUNP29	P 29
P 29.5	29.5		35.5				BUNP29.5	P 29.5
P 30	30		36				BUNP30	P 30
P 31	31		37				BUNP31	P 31
P 31.5	31.5		37.5				BUNP31.5	P 31.5
P 32	32		38				BUNP32	P 32
P 34	34		40				BUNP34	P 34
P 35	35		41				BUNP35	P 35
P 35.5	35.5		41.5				BUNP35.5	P 35.5
P 36	36	+0.20	42	0	1.25	±0.10	BUNP36	P 36
P 38	38	0	44	-0.20			BUNP38	P 38
P 39	39		45				BUNP39	P 39
P 40	40		46				BUNP40	P 40
P 41	41		47				BUNP41	P 41
P 42	42		48				BUNP42	P 42
P 44	44		50				BUNP44	P 44
P 45	45		51				BUNP45	P 45
P 46	46		52				BUNP46	P 46
P 48	48		54				BUNP48	P 48
P 49	49		55				BUNP49	P 49
P 50	50		56				BUNP50	P 50
P 48A	48		58				BUNP48A	P 48A
P 50A	50		60				BUNP50A	P 50A
P 52	52		62				BUNP52	P 52
P 53	53		63				BUNP53	P 53
P 55	55		65				BUNP55	P 55
P 56	56		66				BUNP56	P 56
P 58	58	+0.25	68	0	1.90	±0.13	BUNP58	P 58
P 60	60	0	70	-0.25			BUNP60	P 60
P 62	62		72				BUNP62	P 62
P 63	63		73				BUNP63	P 63
P 65	65		75				BUNP65	P 65
P 67	67		77				BUNP67	P 67
P 70	70		80				BUNP70	P 70



Backup Ring Nominal No.	Endless						TMK Part No.	Applicable O-Ring JIS B 2401-1 Dimension No.
	Inside Dia.		Outside Dia.		Thickness			
	d		D		T		T3 (endless)	
P 71	71		81				BUNP71	P 71
P 75	75		85				BUNP75	P 75
P 80	80		90				BUNP80	P 80
P 85	85		95				BUNP85	P 85
P 90	90		100				BUNP90	P 90
P 95	95		105				BUNP95	P 95
P 100	100		110				BUNP100	P 100
P 102	102		112				BUNP102	P 102
P 105	105		115				BUNP105	P 105
P 110	110	+0.25	120	0	1.90	±0.13	BUNP110	P 110
P 112	112	0	122	-0.25			BUNP112	P 112
P 115	115		125				BUNP115	P 115
P 120	120		130				BUNP120	P 120
P 125	125		135				BUNP125	P 125
P 130	130		140				BUNP130	P 130
P 132	132		142				BUNP132	P 132
P 135	135		145				BUNP135	P 135
P 140	140		150				BUNP140	P 140
P 145	145		155				BUNP145	P 145
P 150	150		160				BUNP150	P 150
P 150A	150		165				BUNP150A	P 150A
P 155	155		170				BUNP155	P 155
P 160	160		175				BUNP160	P 160
P 165	165		180				BUNP165	P 165
P 170	170		185				BUNP170	P 170
P 175	175		190				BUNP175	P 175
P 180	180		195				BUNP180	P 180
P 185	185	+0.30	200	0	2.75	±0.15	BUNP185	P 185
P 190	190	0	205	-0.30			BUNP190	P 190
P 195	195		210				BUNP195	P 195
P 200	200		215				BUNP200	P 200
P 205	205		220				BUNP205	P 205
P 209	209		224				BUNP209	P 209
P 210	210		225				BUNP210	P 210
P 215	215		230				BUNP215	P 215

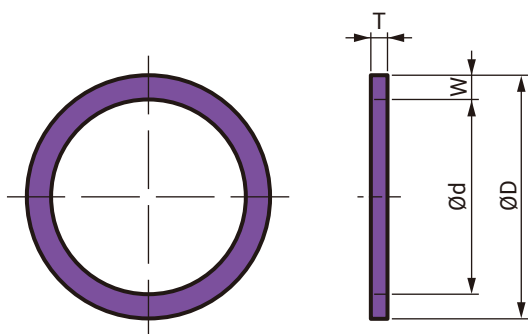


Backup Ring Nominal No.	Endless						TMK Part No.	Applicable O-Ring JIS B 2401-1 Dimension No.
	Inside Dia.		Outside Dia.		Thickness			
	d		D		T			
P 220	220		235				BUNP220	P 220
P 225	225		240				BUNP225	P 225
P 230	230		245				BUNP230	P 230
P 235	235		250				BUNP235	P 235
P 240	240		255				BUNP240	P 240
P 245	245		260				BUNP245	P 245
P 250	250		265				BUNP250	P 250
P 255	255		270				BUNP255	P 255
P 260	260		275				BUNP260	P 260
P 265	265		280				BUNP265	P 265
P 270	270		285				BUNP270	P 270
P 275	275		290				BUNP275	P 275
P 280	280	+0.30	295	0	2.75	±0.15	BUNP280	P 280
P 285	285	0	300	-0.30			BUNP285	P 285
P 290	290		305				BUNP290	P 290
P 295	295		310				BUNP295	P 295
P 300	300		315				BUNP300	P 300
P 315	315		330				BUNP315	P 315
P 320	320		335				BUNP320	P 320
P 335	335		350				BUNP335	P 335
P 340	340		355				BUNP340	P 340
P 355	355		370				BUNP355	P 355
P 360	360		375				BUNP360	P 360
P 375	375		390				BUNP375	P 375
P 385	385		400				BUNP385	P 385
P 400	400		415				BUNP400	P 400



For G Series Use

JIS B 2401-4 Equivalent



Backup Ring Nominal No.	Endless						TMK Part No.	Applicable O-Ring JIS B 2401-1 Dimension No.
	Inside Dia.		Outside Dia.		Thickness			
	d		D		T		T3 (endless)	
G 25	25		30				BUNG25	G 25
G 30	30		35				BUNG30	G 30
G 35	35	+0.20 0	40	0 -0.20	1.25	±0.10	BUNG35	G 35
G 40	40		45				BUNG40	G 40
G 45	45		50				BUNG45	G 45
G 50	50		55				BUNG50	G 50
G 55	55	+0.25 0	60	0 -0.25	1.25	±0.10	BUNG55	G 55
G 60	60		65				BUNG60	G 60
G 65	65		70				BUNG65	G 65
G 70	70		75				BUNG70	G 70
G 75	75		80				BUNG75	G 75
G 80	80		85				BUNG80	G 80
G 85	85		90				BUNG85	G 85
G 90	90		95				BUNG90	G 90
G 95	95		100				BUNG95	G 95
G 100	100		105				BUNG100	G 100
G 105	105		110				BUNG105	G 105
G 110	110		115				BUNG110	G 110
G 115	115		120				BUNG115	G 115
G 120	120		125				BUNG120	G 120
G 125	125	130	BUNG125	G 125				
G 130	130	135	BUNG130	G 130				
G 135	135	140	BUNG135	G 135				
G 140	140	145	BUNG140	G 140				
G 145	145	150	BUNG145	G 145				



Backup Ring Nominal No.	Endless						TMK Part No.	Applicable O-Ring JIS B 2401-1 Dimension No.
	Inside Dia.		Outside Dia.		Thickness			
	d		D		T			
G 150	150		160				BUNG150	G 150
G 155	155		165				BUNG155	G 155
G 160	160		170				BUNG160	G 160
G 165	165		175				BUNG165	G 165
G 170	170		180				BUNG170	G 170
G 175	175		185				BUNG175	G 175
G 180	180		190				BUNG180	G 180
G 185	185		195				BUNG185	G 185
G 190	190		200				BUNG190	G 190
G 195	195		205				BUNG195	G 195
G 200	200	+0.30 0	210	0 -0.30	1.90	±0.13	BUNG200	G 200
G 210	210		220				BUNG210	G 210
G 220	220		230				BUNG220	G 220
G 230	230		240				BUNG230	G 230
G 240	240		250				BUNG240	G 240
G 250	250		260				BUNG250	G 250
G 260	260		270				BUNG260	G 260
G 270	270		280				BUNG270	G 270
G 280	280		290				BUNG280	G 280
G 290	290		300				BUNG290	G 290
G 300	300		310				BUNG300	G 300

Your Sealing Technology Partner

www.taimik.com



TAIMIK CO., LTD.

No. 19-1, Ln. 291, Hushan St., Huatan Township,
Changhua County 503007,
Taiwan

TEL : +886-4-786-9199

FAX : +886-4-786-7099

Email : info@taimik.com