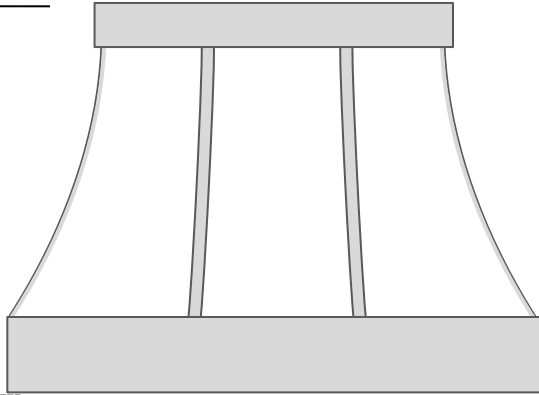


How High?

hood height



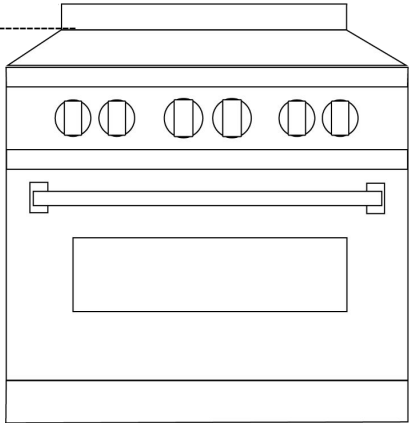
Maximum Clearance 36"



Minimum Clearance 30"

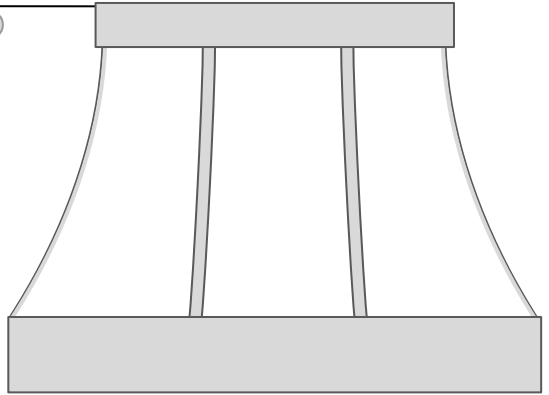
Ceiling Height

36" standard, range & countertop height

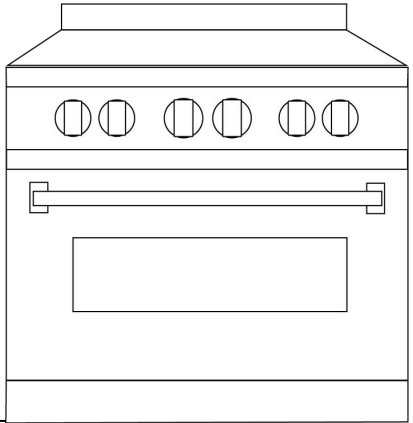


How Wide?

Common Add On, 3" per side



Minimum Width to Range Size



- I. **Dimensions and Measurements:** To prevent mistakes, please review the dimensions. All details of the hood must be stated; includes height, width, lower depth and top depth (if required). If any dimension is critical, and not stated on the invoice, then we are unaware, and your unit will be built incorrectly.
- A. Trims can add up to 1.5" (inches) wider total. If you require us to remove or adjust the trims to a certain dimension, please provide the measurement from back to front. Ensure you measure off the wall to the cabinet face front.
 - B. It is always better to have the hood in your possession, before hanging cabinets. Because your hood may be up to 2 ½" (inches) wider if your unit has moldings. If you are ordering a freestanding hood, this may not apply, however please confirm if critical.
 - C. If your hood is for an Island (or Peninsula), please make sure you state this.
 - D. If your kitchen has a 'bulkhead' (or soffits) please make sure it is stated as well. Especially if you are in need for the top depth measurement to match. Ensure we are notified and it is stated before proceeding.