

Your Premiere Source For Quality Valve Products

Series #DM30 Ball Valve - 2 Piece Full Port



Features & Benefits

Economical 2-Piece design

Full Port

Full Port Construction improves flow characteristics for greater process efficiencies.

ISO 5211 Direct Mounting Pad

Provides for precise shaft alignment and eliminates the need for brackets and couplings.

Adjustable Live Loaded Stem

Blow-out Proof Stem

Investment Cast

Improves dimensional control and reduces porosity.

Locking Handle

Enables plant personnel to secure valve in open or closed position when manually operated.

Operating/Test Conditions

Temperature Range (RTFE)

-20° F To 450° F

Maximum working pressure:

1000 W.O.G.

Applicable standards:

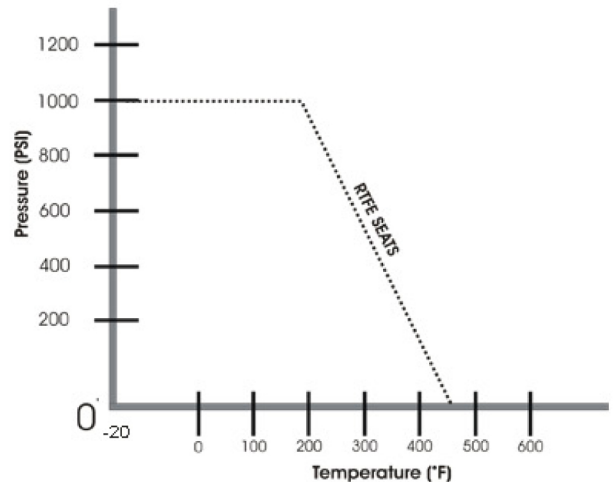
Test and Inspection API 598

ANSI/ASME B16.11

ISO 5211

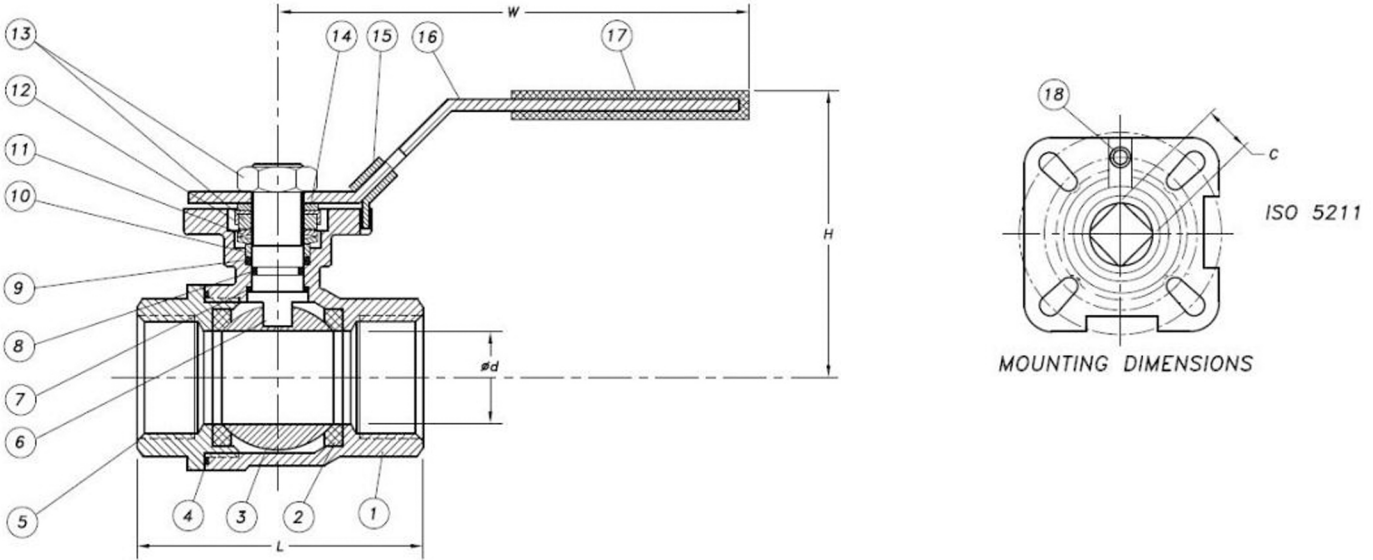
MSS SP25, SP72

Pressure & Temperature Chart



Options

Schematic Diagram



Materials & Measurements

SIZE	ød	L	H	W	ISO 5211	C	Torque (in lbs)
1/2"	.59	2.25	2.48	4.73	F03/F04	.35	45
3/4"	.79	2.52	2.76	5.52	F04/F05	.43	71
1"	1.00	3.03	2.92	5.52	F04/F05	.43	89
1 1/4"	1.26	3.55	3.47	8.04	F05/F07	.55	124
1 1/2"	1.58	4.14	3.70	8.04	F05/F07	.55	160
2"	1.97	5.02	4.02	8.04	F07/F10	.55	222
2 1/2"	2.56	6.07	5.52	10.05	F07/F10	.67	425
3"	3.00	6.82	6.03	10.05	F07/F10	.67	664

ITEM	PARTS	MATERIAL
1	Body	CF8M
2	Ball Seat	REIN. PTFE (15%)
3	Ball	316 SS
4	Body Gasket	PTFE
5	Cap	CF8M
6	Stem	316SS
7	Thrust Washer	PTFE
8	O-ring	VITON
9	Stem Packing	PTFE
10	Packing Ring	304SS
11	Belleville Washer	301SS
12	Nut Stopper	304SS
13	Nut	304SS
14	Plate Washer	304SS
15	Lock Device	304SS
16	Handle	304SS
17	Plastic Cover	PLASTIC
18	Stop Pin	304SS

How To Order

Valve Size	Valve Series	Body	Ball & Stem	Seat	Ends
1/2" - 3"	DM30 = 2 PC Direct Mount	6 = 316	6 = 316	R = RTFE	TE = NPT

Due to continuous product development, information may change without notice.