

hergom

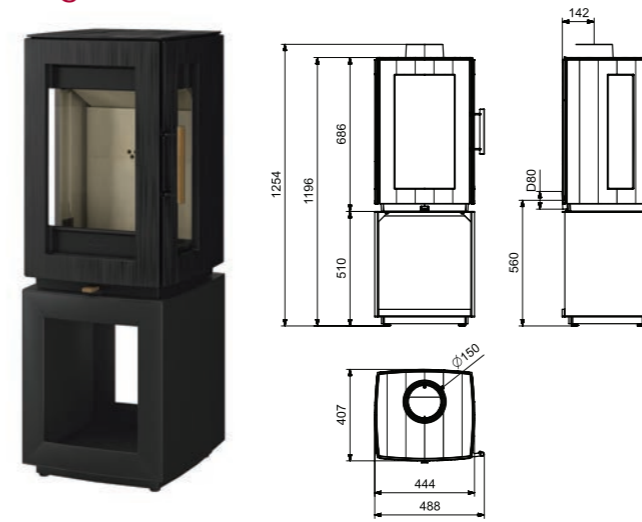


# Glow Series



## Dimensions, Specifications and Clearances

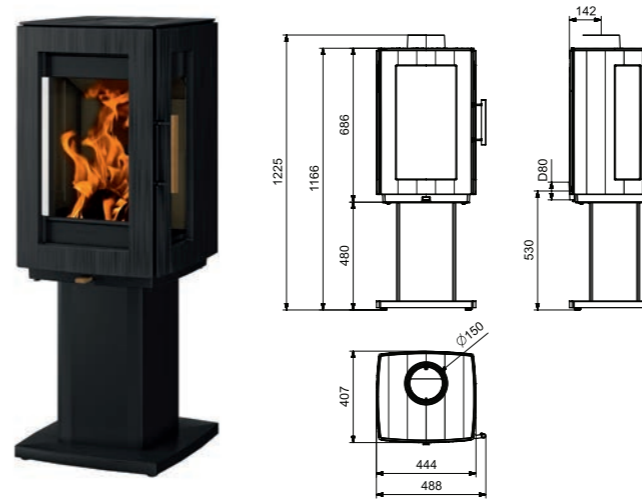
### Log Base



### Legs



### Pedestal



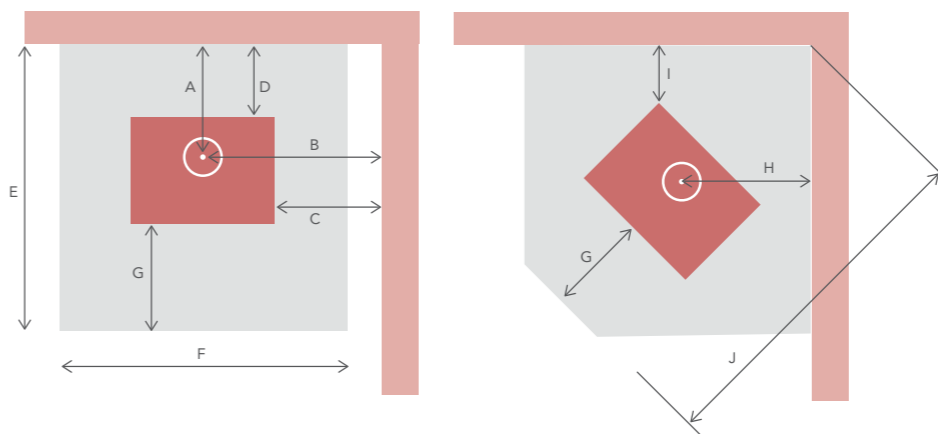
### Wallmounted or Custom Base



All measurements are to the combustible material

	A	B	C	D	E	F	G	H	I	J
Firebox Heatshield	362	750	525	220	930	690	300	600	400*	1500

Wall Mounted unit must be a minimum of 480mm above the floor protector.  
\* Appliance rear heat shield not required



### Tested Configuration

- 6mm Compressed Board
- 6" active / 8" solid and Firebox Heatshield

Introducing the Glow wood stove, designed to bring warmth and modern sophistication to your space. Crafted from premium cast iron, Glow delivers clean, efficient and easily controlled combustion. This fire seamlessly adapts to your home with versatile installation options - including multiple base styles, wall mounting, or a custom-designed platform.

Heat Capacity	10 - 12 sq
Peak Efficiency	70%
Emissions	0.7 g/kg
Max. log length	350mm
Weight	Main body 150kg / With Log Base 180kg With Legs 187kg / With Pedestal 169kg

### Key Features

- ✓ Robust cast iron construction for long-lasting warmth
- ✓ Controlled, clean and efficient combustion
- ✓ Panoramic view of flames
- ✓ External air intake for well insulated spaces
- ✓ Air Wash system keeps glass clear and soot-free

# Glance M Series

## Glance M

A striking cast-iron freestanding fireplace, the Hergom Glance M combines powerful performance with distinctive design.

With 180-degree flame visibility and a bold, sculptural form, it delivers both visual impact and efficient, clean-burning heat - ideal for modern, well-insulated spaces.

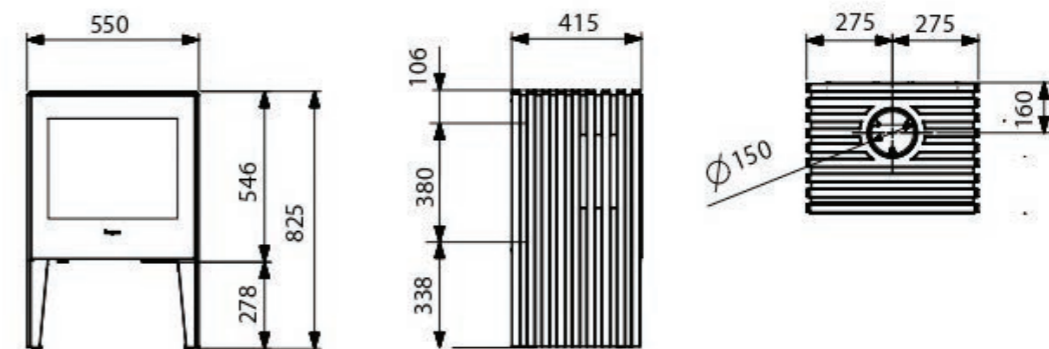
Heat Capacity	10 - 15 sq
Peak Efficiency	73%
Emissions	0.8 g/kg
Max. log length	400mm
Weight	160kg

### Key Features

- ✓ Sculpted cast-iron construction with bold detailing
- ✓ Double combustion system for a cleaner burn
- ✓ External air intake for well insulated spaces
- ✓ Vermiculite-lined interior for radiant heat
- ✓ Panoramic flame view

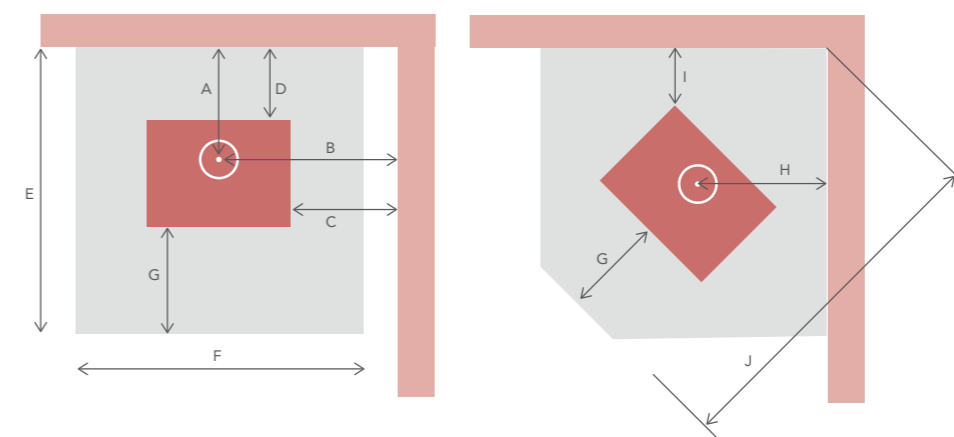
## Dimensions, Specifications and Clearances

550 Width x 415 Depth x 825 Height



All measurements are to the combustible material

	A	B	C	D	E	F	G	H	I	J
Firebox Heatshield	310	625	350	150	865	815	300	435	125	1170



### Tested Configuration

- 12mm Compressed Board
- 6" active / 8" solid and Firebox Heatshield

Glass hearth pictured in this brochure is not available in Australia.

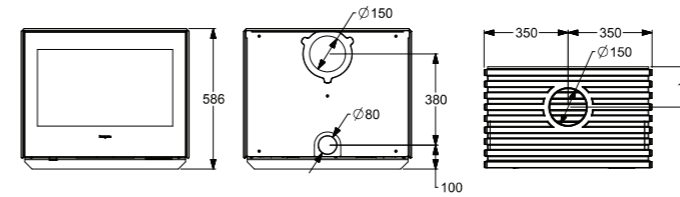
# Glance & Glance L



## Dimensions, Specifications and Clearances

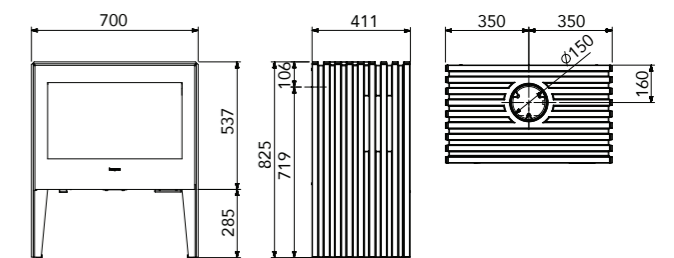
### GLANCE

704 Width x 410 Depth x 590 Height



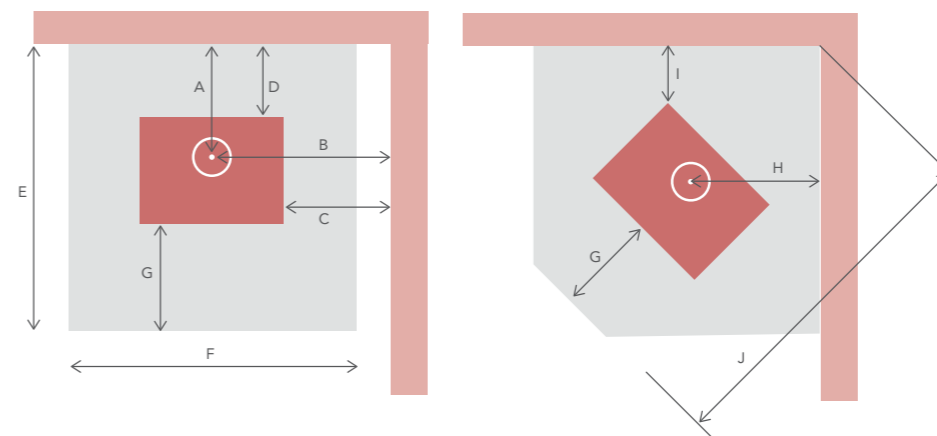
### GLANCE L

704 Width x 410 Depth x 820 Height



All measurements are to the combustible material

	A	B	C	D	E	F	G	H	I	J
No Shielding	560	750	400	400	1260	970	450	510	150	1422
Firebox Heatshield	460	825	475	300	1160	970	450	N/A	N/A	N/A
Firebox Heatshield + ** Flue Shield	335	825	475	175	1035	970	450	N/A	N/A	N/A



### Tested Configuration

- 18mm cement sheet
- 6" active / 8" solid
- \*\* 6" active / 900mm inner flue shield / 8" solid
- Firebox Heatshield

Glance L

Hailing from Copenhagen Design Studio Strand and Haas, the Hergom Glance range creates a strong focal point in any room. The large landscape firebox is further enhanced with glass sides so you get an even greater view of this exceptional fire.

Hergom scooped up first place at the Hearth & Home Exhibition in the 'Best Stove Over 5kW' category.

Heat Capacity	15 sq
Peak Efficiency	72%
Emissions	0.6g/kg
Max. log length	400mm
Weight	Glance 185kg / Glance L 195kg

Glass hearth pictured in this brochure is not available in Australia.

### Key Features

- ✓ Award winning Danish design
- ✓ Glance bench option
- ✓ Vermiculite interior radiates heat
- ✓ 180 degree view of flames
- ✓ Large landscape firebox
- ✓ Streamline integrated push close door





## E-30

The E30 shares the same firebox as the E40 and therefore the same key features and advantages of these magnificent fires. Constructed entirely from a robust cast iron and with the latest combustion technology, the E-30 M is a sustainable heating solution that produces a powerful 10.6kW of heat output. A large loading capacity, and a clean burn system guarantee an efficient longer lasting burn.

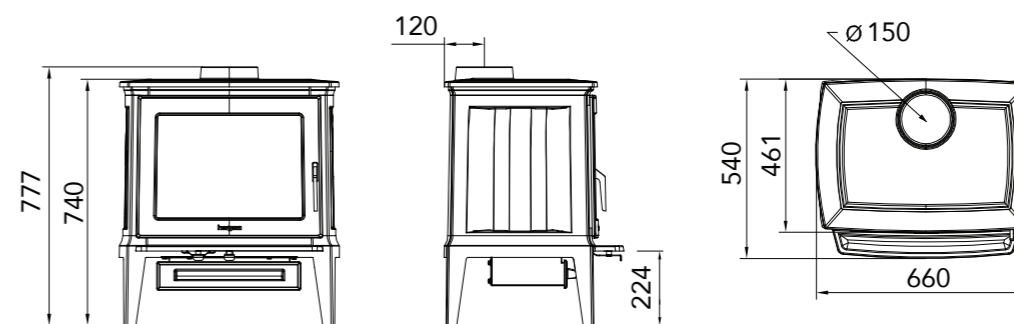
Heat Capacity	15 - 18 sq
Peak Efficiency	67%
Emissions	1.4
Max. log length	400mm
Weight	150kg

### Key Features

- ✓ Traditional design on solid cast iron legs
- ✓ White cast iron liners
- ✓ Cast Iron radiant heat
- ✓ Large glass viewing area

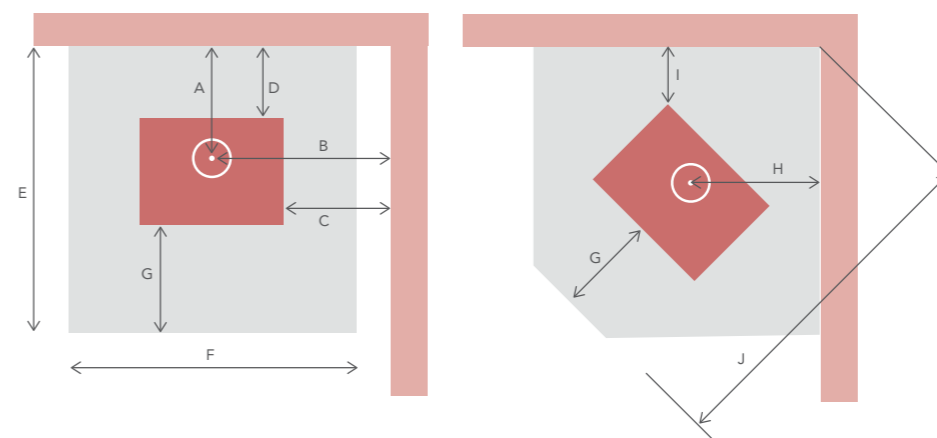
## Dimensions, Specifications and Clearances

660 Width x 540 Depth x 740 Height



All measurements are to the combustible material

	A	B	C	D	E	F	G	H	I	J
Firebox Heatshield + Flue Shield	327	830	500	200	960	830	300	648	325	1630



### Tested Configuration

- 12mm cement sheet
- 6" active / 900mm inner flue shield / 8" solid
- Firebox Heatshield



## E-40

The contemporary design of the E-40 incorporates smooth edges that compliment the fluidity of the flames visible through the large, glass front. The E-40 provides a constant, gentle warmth due to the heat retention properties of its robust, cast iron construction. The cast iron internal plates of the combustion chamber and the white coating reflects more heat into the room as well as highlighting the brilliance of the fire as never before.

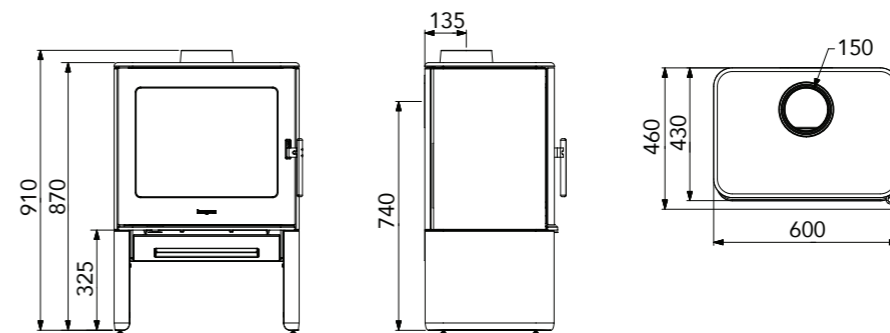
### Key Features

- ✓ White cast iron liners
- ✓ Clean contemporary design
- ✓ Cast Iron radiant heat
- ✓ Large glass viewing area

Heat Capacity	15 - 18 sq
Peak Efficiency	67%
Emissions	1.4
Max. log length	400mm
Weight	150kg

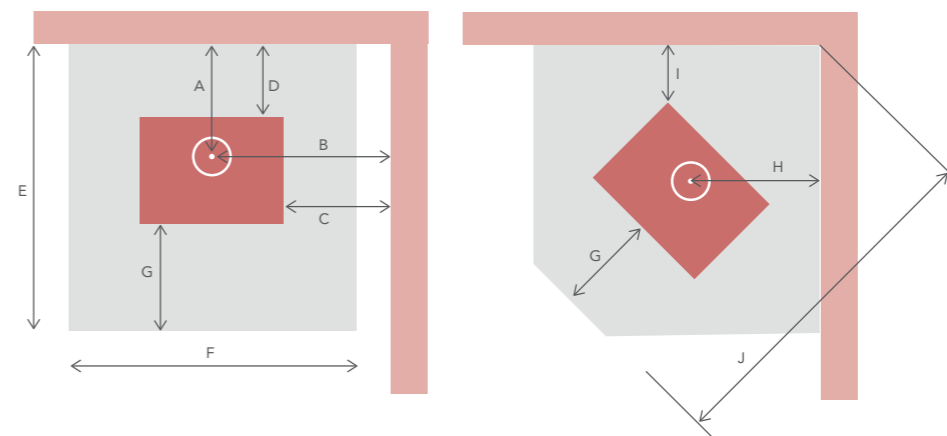
## Dimensions, Specifications and Clearances

600 Width x 430 Depth x 870 Height



All measurements are to the combustible material

	A	B	C	D	E	F	G	H	I	J
Firebox Heatshield + Solid Flue Shield	412	800	500	275	1025	860	320	609	300	1474



### Tested Configuration

- 9mm cement sheet
- 6" active / 8" solid
- Firebox Heatshield

Glass hearth pictured in this brochure is not available in Australia.

# Outdoor Heat meets Cast Iron Cooking

Bring warmth and flavour to your outdoor space with the Hergom Cast Iron Firepit. Designed for both ambience and functionality, this wood-burning firepit doubles as a grill - perfect for gathering around or cooking over the coals. Its cast iron construction ensures even heat distribution and enhances the taste of your food with every use.



For over 50 years, Hergóm has been producing efficient, sustainable and technically-advanced fireplaces and cookers from a state-of-the art foundry in Santander. Their wood-stoves are among the cleanest burning in the world providing maximum heat and fuel performance with minimal emissions. The finest cast iron is used as the primary material in their production. Hergom have a deep knowledge and understanding of cast iron and its resilience.

Your Hergom dealer

castworks  
home heating specialists

DISTRIBUTORS  
FOR

hergom

MADE IN SPAIN

The information contained in this brochure is to assist you in your choice of a suitable fire. It is not intended to be all the information required to install the fire and does not replace the installation manual which provides more detailed information. In the interest of product development Hergom reserves the right to change specifications without prior notice.

castworks.com.au