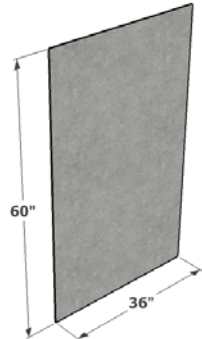


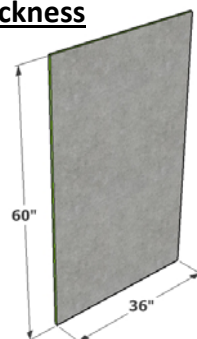
## HYDRO-BLOK WALLBOARDS AND PANELS

### 1/4" Thickness

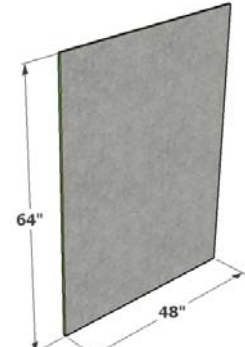


HBWB366014

### 1/2" Thickness

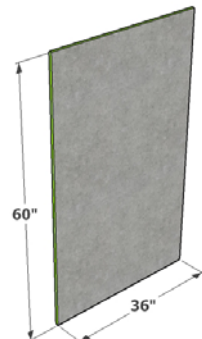


HBWB366012



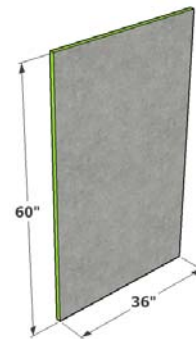
HBWB486412

### 5/8" Thickness



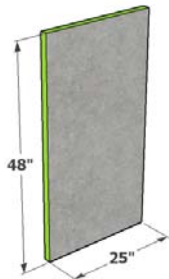
HBWB366058

### 1" Thickness



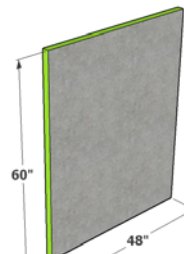
HBWB36601

### 1 -1/2" Thickness

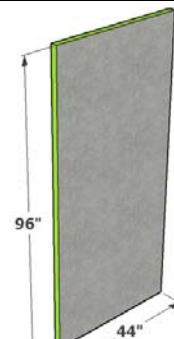


HBWB2548112

### 2" Thickness



HBWB48602



HBWB44962

#### Notes

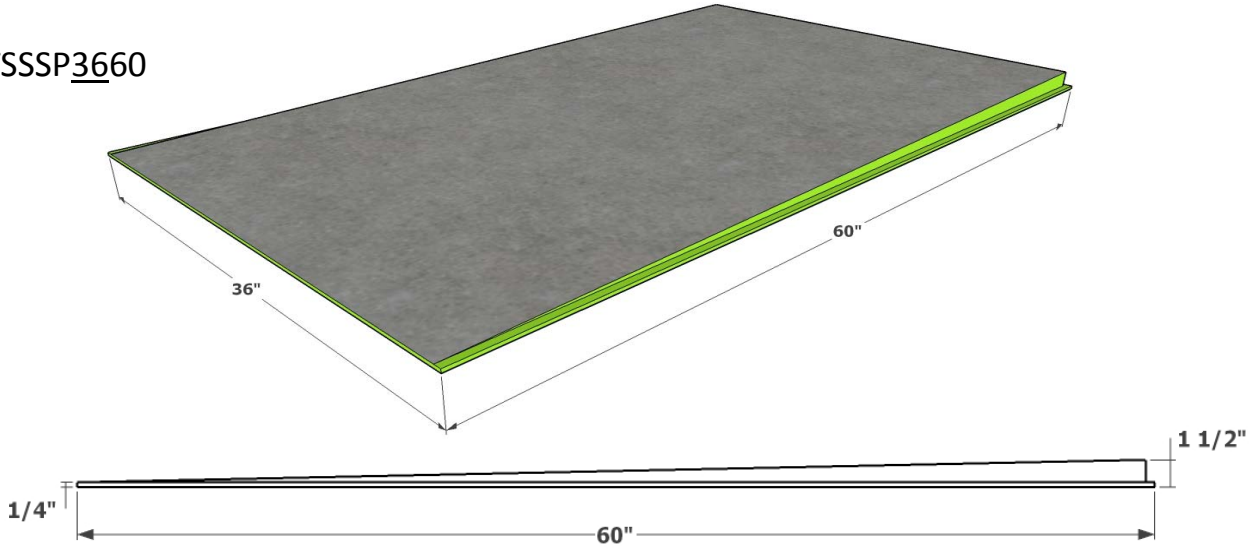
1. Installation to be completed in accordance with manufacture specifications.
2. Drawings not to scale.

### Wallboards/Panels

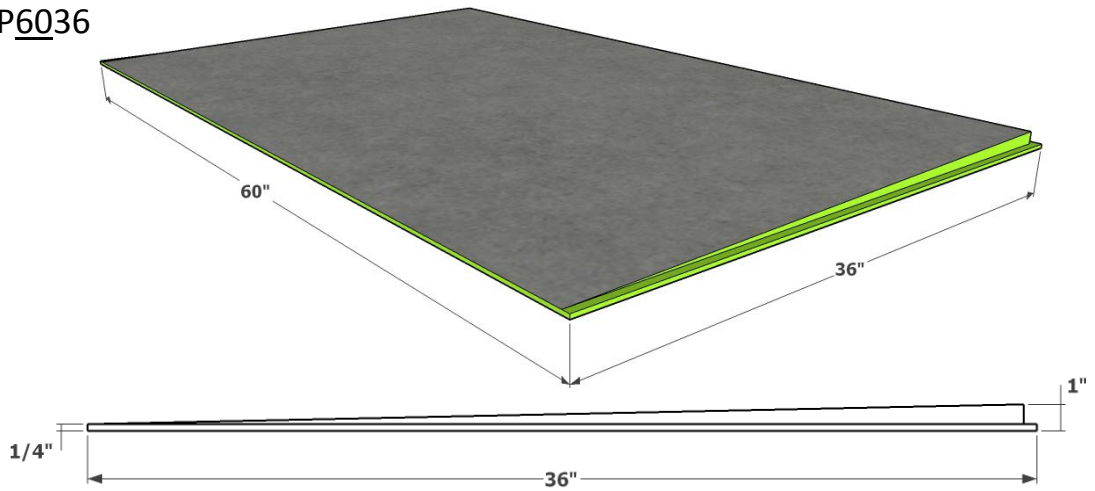
See Above Drawings  
For Part Numbers

**THIN PROFILE SINGLE SLOPE SHOWER PANS**

**HBTSSSP3660**



**HBTSSSP6036**



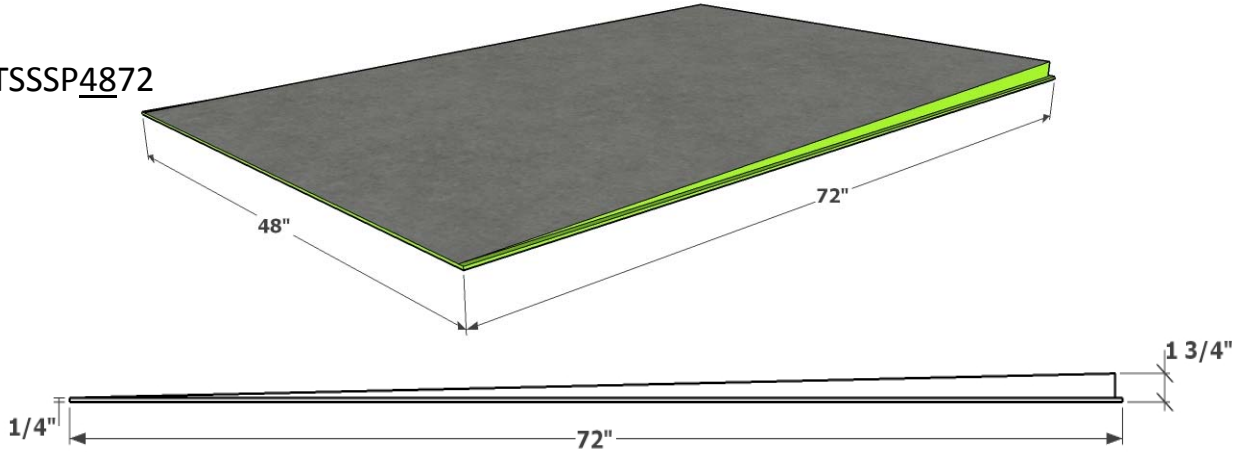
**Notes**

- 1. Installation to be completed in accordance with manufacturer specifications.
- 2. Drawings not to scale.
- 3. Sloped at 1/4" per foot to the drain.
- 4. Line Drain will attach to pan on thin edge. Underlined dimension in pan part number indicates edge for drain attachment.

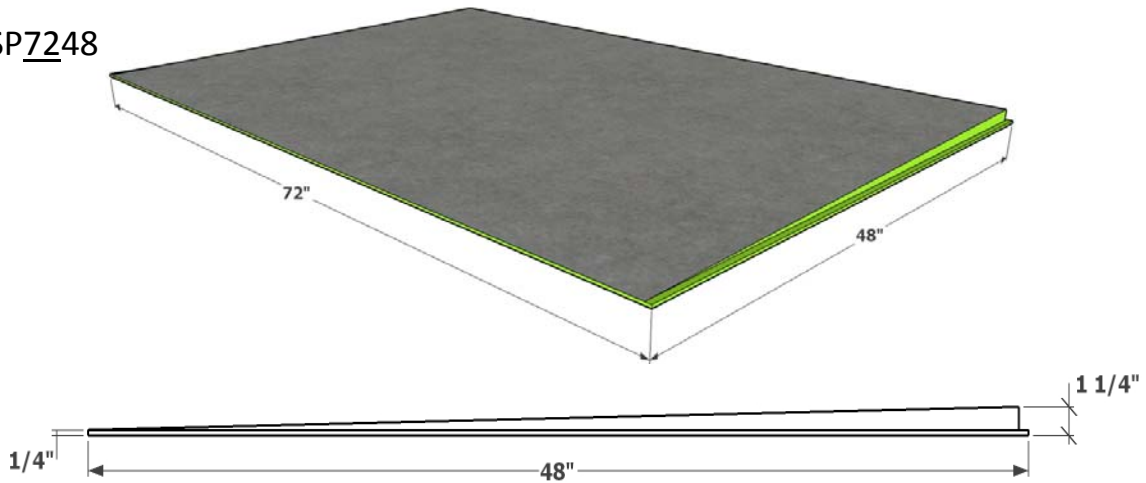
**3X5 Single Slope**  
**THIN Shower Pans**  
**Part Number**  
HBTSSSP3660  
HBTSSSP6036

**THIN PROFILE SINGLE SLOPE SHOWER PANS**

HBTSSSP4872



HBTSSSP7248



Notes

1. Installation to be completed in accordance with manufacturer specifications.
2. Drawings not to scale.
3. Sloped at 1/4" per foot to the drain.
4. Line Drain will attach to pan on thin edge. Underlined dimension in pan part number indicates edge for drain attachment.

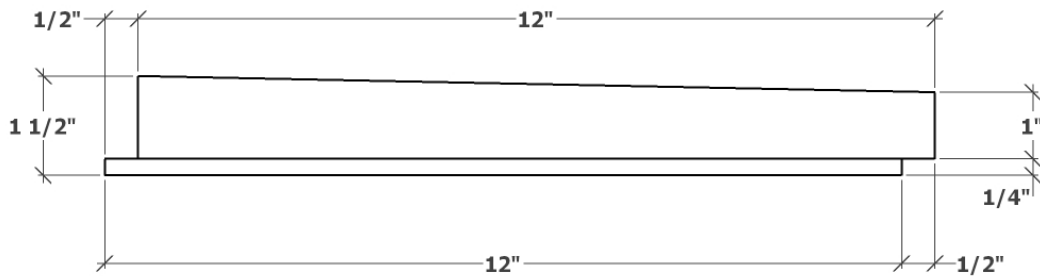
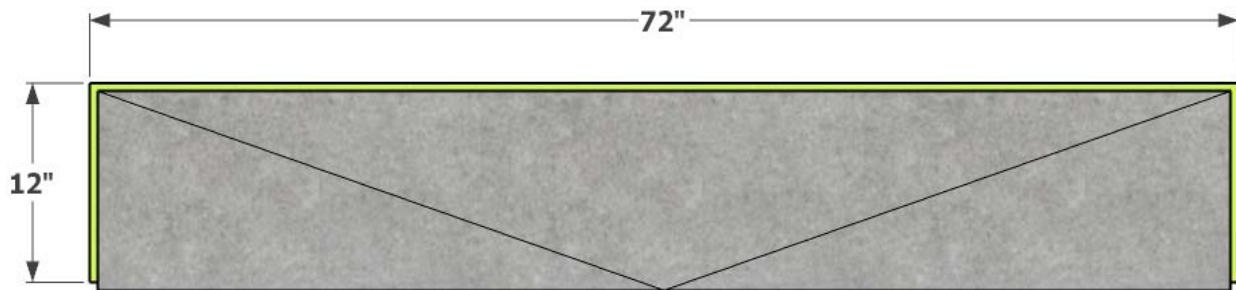
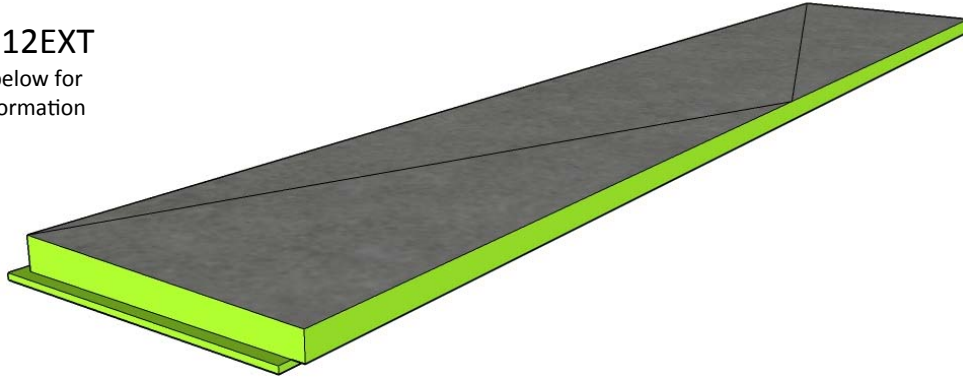
**4X6 Single Slope**  
**THIN Shower Pans**

**Part Number**  
HBTSSSP4872  
HBTSSSP7248

**THIN PROFILE SINGLE SLOPE SHOWER PAN EXTENSION**

**HBTSSSP7212EXT**

See notes 4 & 5 below for compatibility information



**Notes**

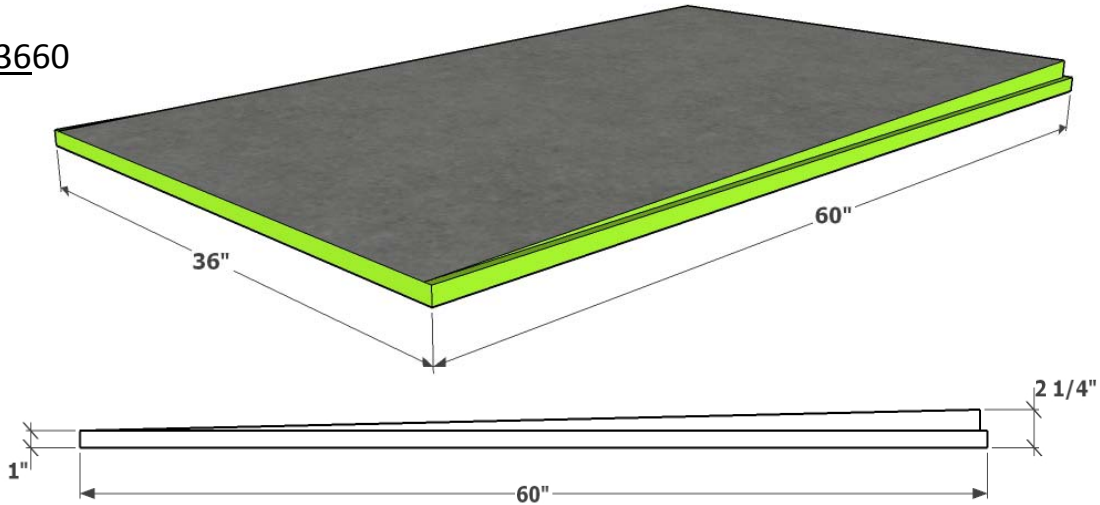
1. Installation to be completed in accordance with manufacturer specifications.
2. Drawings not to scale.
3. Sloped at 1/4" per foot to the drain.
4. Not compatible with 60x36 Thin Single Slope Pan. Contact Hydro-Blok USA for extending this size pan.
5. Additional filler under pan extension is required when used with 48x72 and 36x60 Thin Single Slope Pans due to thickness differences.

**THIN Single Slope  
Shower Extension**

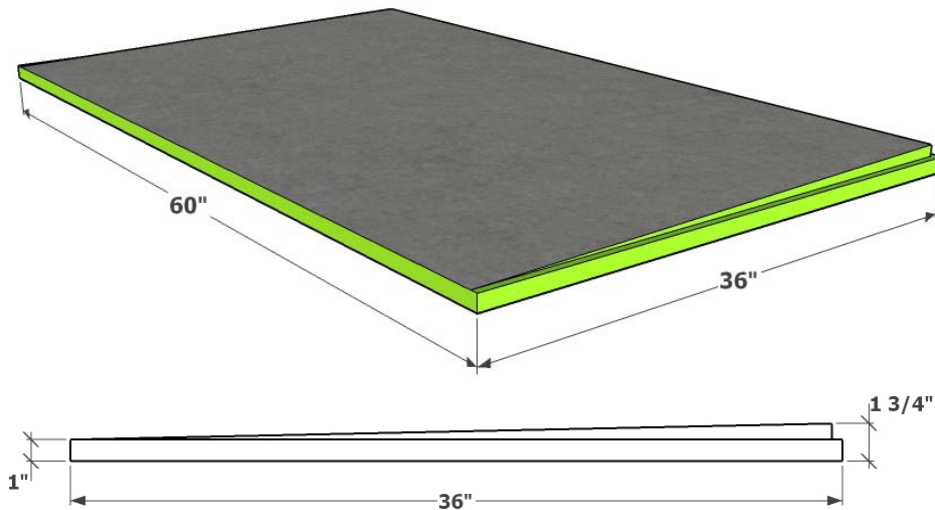
**Part Number**  
HBTSSSP7212EXT

**SINGLE SLOPE SHOWER PANS**

HBSSSP3660



HBSSSP6036

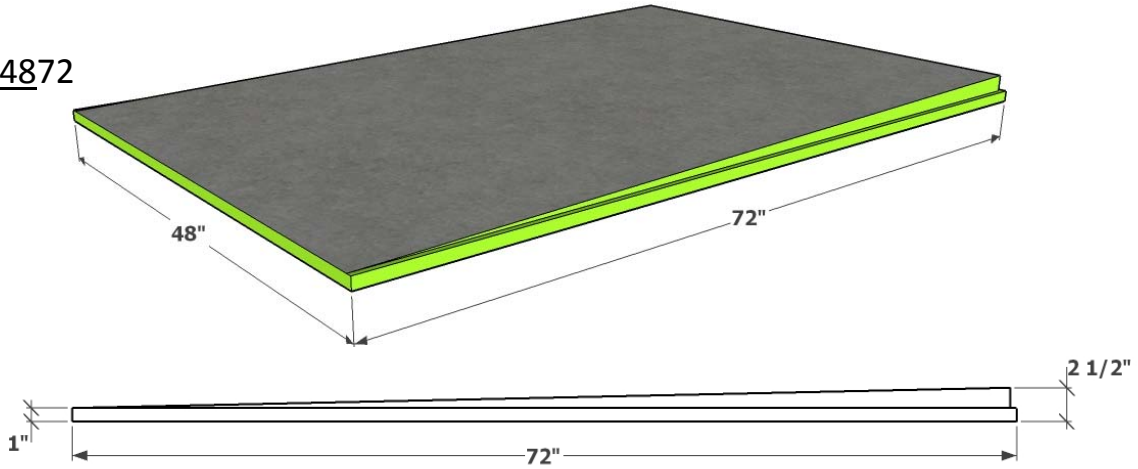


Notes

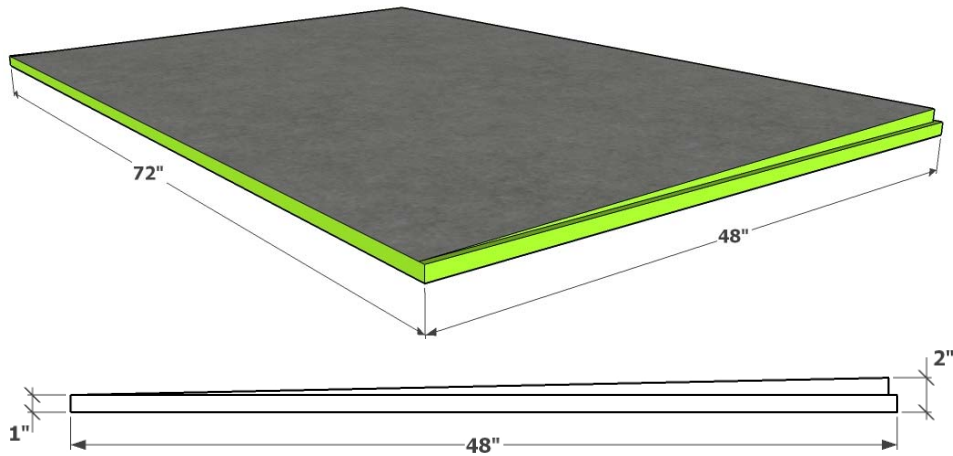
1. Installation to be completed in accordance with manufacturer specifications.
2. Drawings not to scale.
3. Sloped at 1/4" per foot to the drain.
4. Line Drain will attach to pan on thin edge. Underlined dimension in pan part number indicates edge for drain attachment.

**SINGLE SLOPE SHOWER PANS**

HBSSSP4872



HBSSSP7248

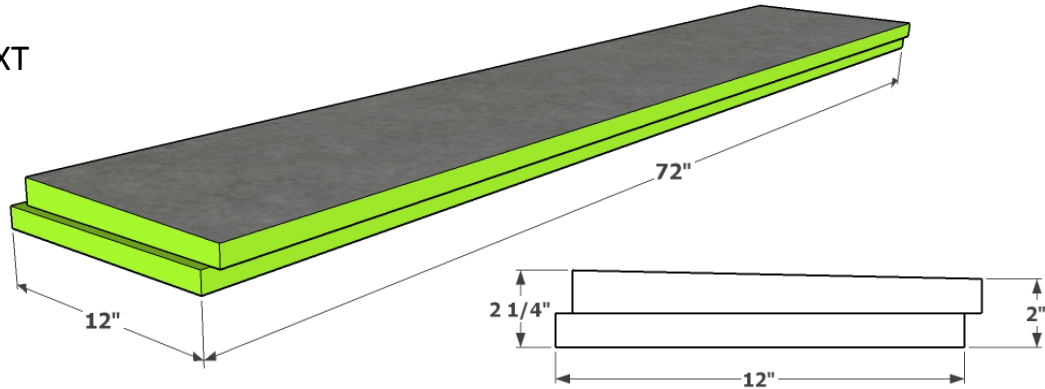


Notes

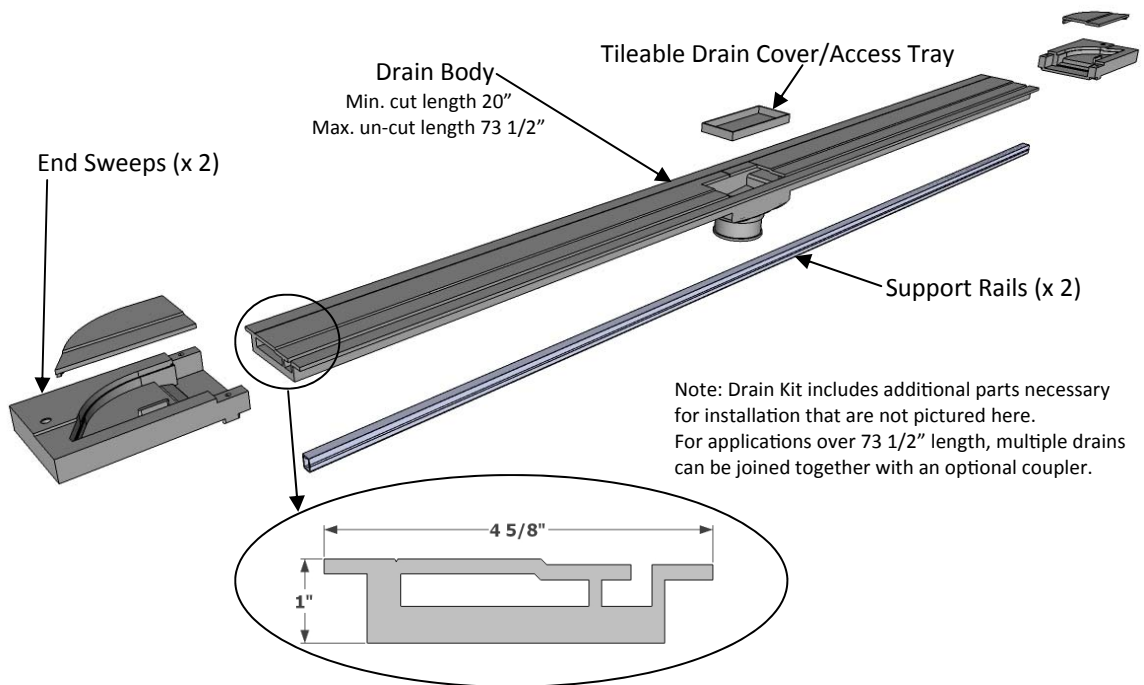
1. Installation to be completed in accordance with manufacturer specifications.
2. Drawings not to scale.
3. Sloped at 1/4" per foot to the drain.
4. Line Drain will attach to pan on thin edge. Underlined dimension in pan part number indicates edge for drain attachment.

**SINGLE SLOPE SHOWER PAN EXTENSION & LINE DRAIN KIT**

HBSSSP7212EXT



HBLD73



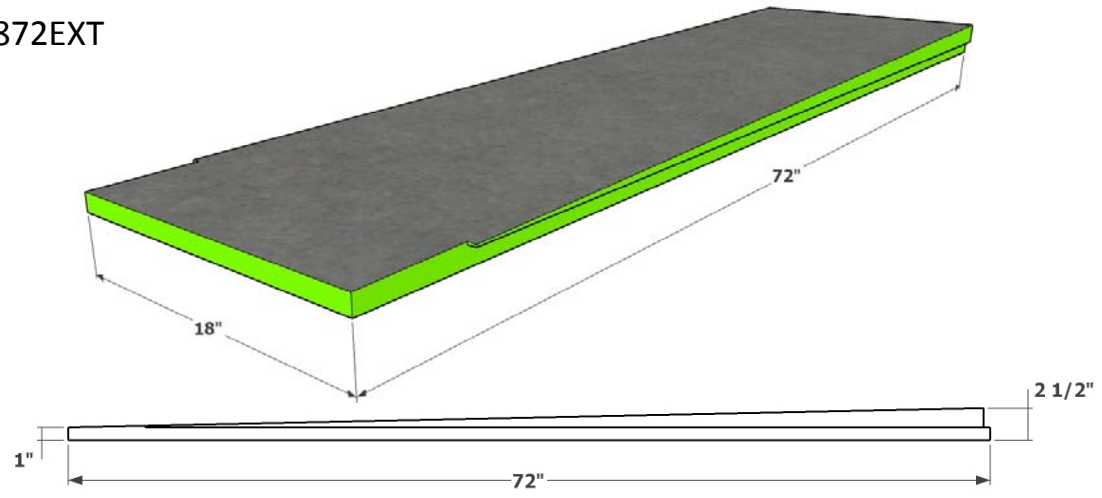
Notes

1. Installation to be completed in accordance with manufacturer specifications.
2. Drawings not to scale.
3. Sloped at 1/4" per foot to the drain.
4. Line Drain will attach to pan on thin edge. Underlined dimension in pan part number indicates edge for drain attachment.

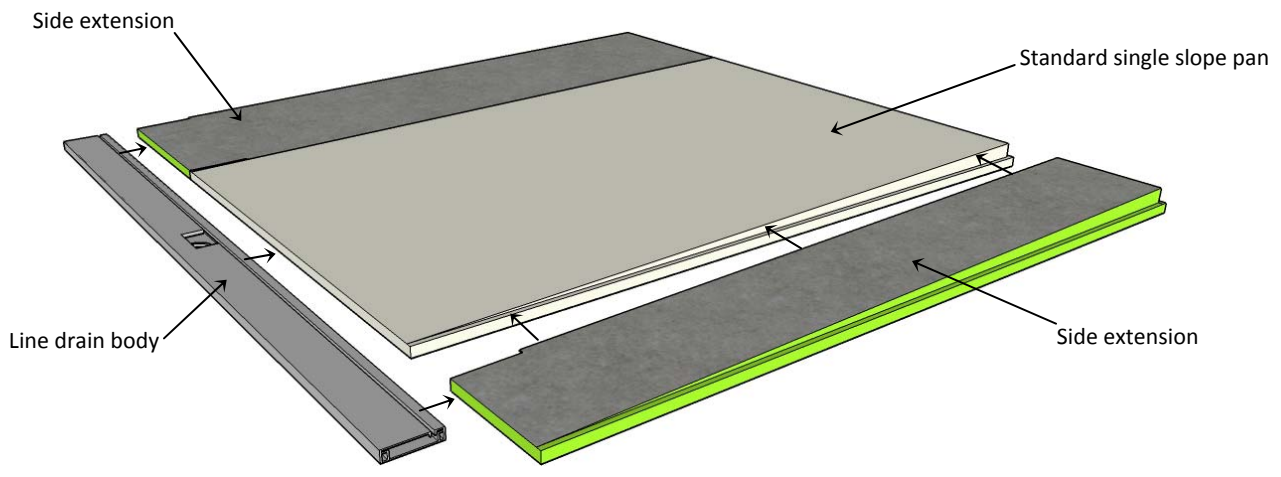


## SINGLE SLOPE SHOWER PAN SIDE EXTENSION

HBSSSP1872EXT



**\*Side extensions are pre-notched for extending either side of any standard single slope pan for use with line drain\***



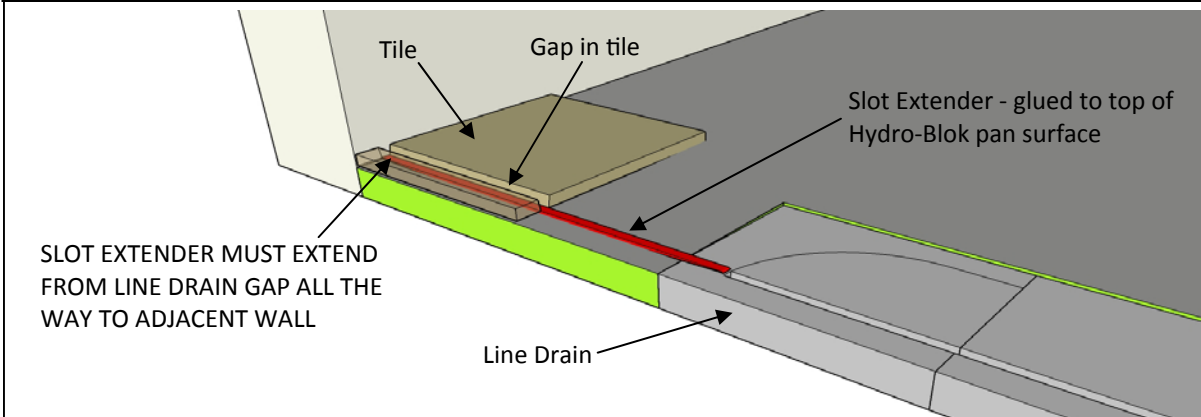
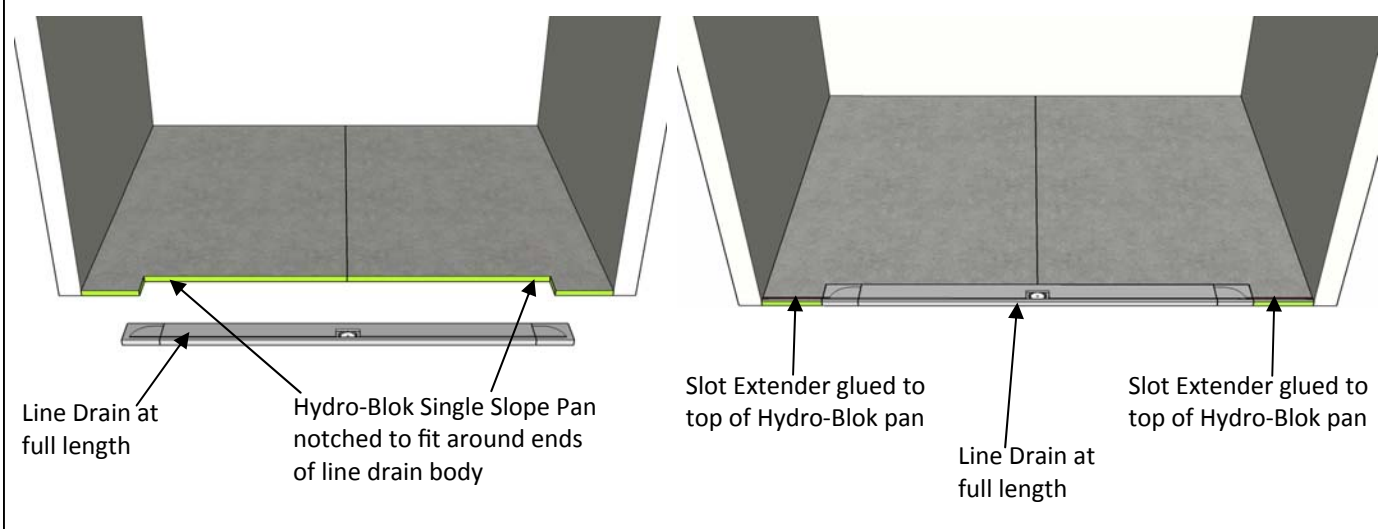
### Notes

- 1. Installation to be completed in accordance with manufacturer specifications.
- 2. Drawings not to scale.
- 3. Sloped at 1/4" per foot to the drain.
- 4. Line Drain will attach to pan on thin edge. Underlined dimension in pan part number indicates edge for drain attachment.

**Side Extension For Single Slope Pans**  
**Part Number**  
HBSSSP1872EXT

**HYDRO-BLOK SINGLE SLOPE SHOWER - LINE DRAIN SLOT EXTENDER**

The Ebbe Line Drain Slot Extender is used to extend the surface tile drainage gap up to 12" on one or both ends of the line drain. See note # 3 below for important placement info.



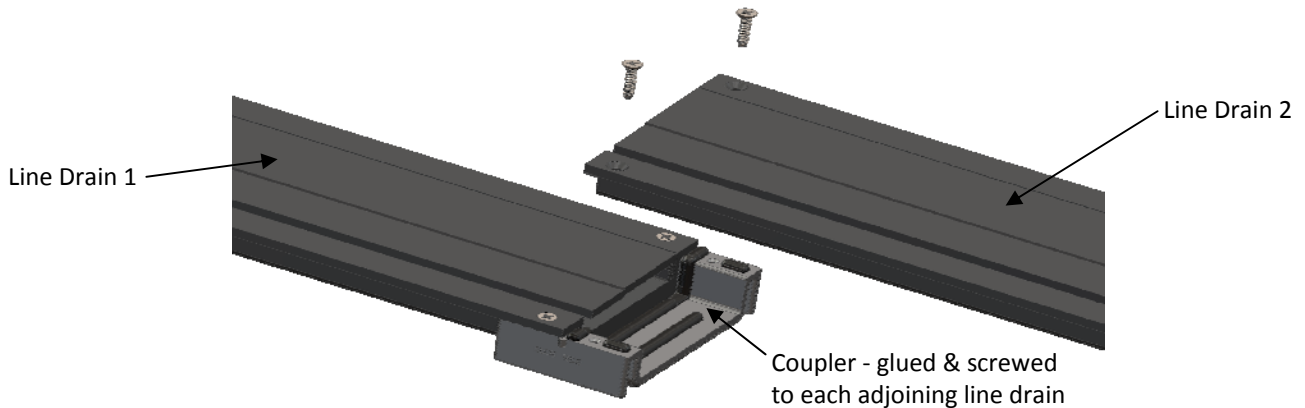
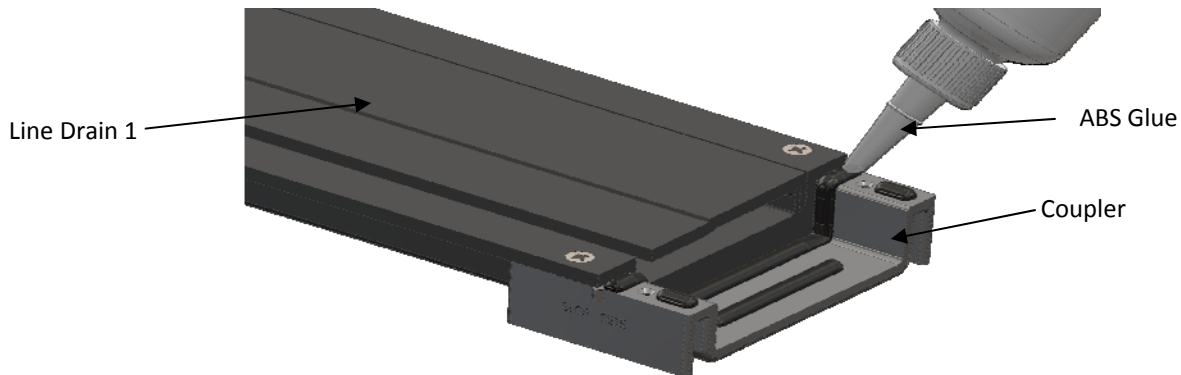
**Notes**

1. Installation to be completed in accordance with manufacturer specifications.
2. Maximum length of un-cut line drain is 73 3/8"
3. The gap at the slot extender will only be as deep as the tile thickness. To avoid potential spillage over the gap extension it is recommended to use the Slot Extender only in areas that will get minimal water exposure during normal use. If this is not possible, a line drain coupler with 2 line drains is advised for effective drainage.

**Line Drain  
Slot Extender**  
**Part Number:**  
HBLDSLTEXT

## HYDRO-BLOK SINGLE SLOPE SHOWER LINE DRAIN COUPLER

The Ebbe Line Drain Coupler allows for multiple Ebbe E6100 line drains to be joined together when required for continuous lengths over 73 3/8"



### Notes

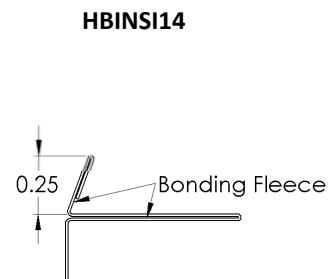
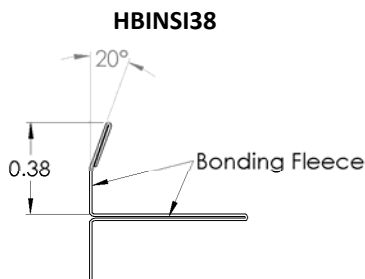
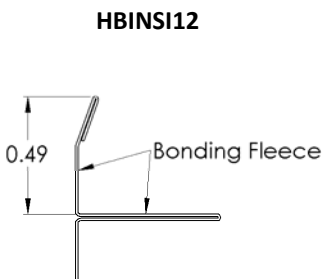
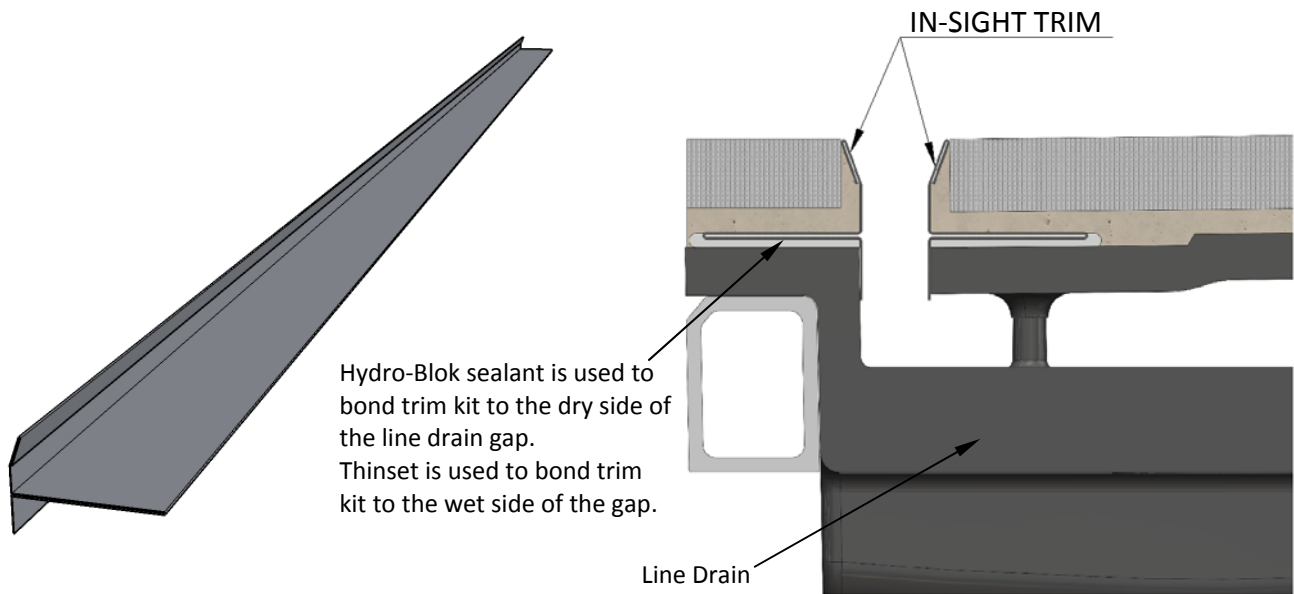
1. Installation to be completed in accordance with manufacturer specifications.
2. Maximum length of un-cut line drain is 73 3/8"
3. Be aware that joining multiple line drains together will require a separate waste pipe connection for each line drain.
4. **\*\*Important: Coupler joint location must be centered between the 2 line drain waste pipe connections for proper drainage.**

### Line Drain Coupler

Part Number:  
HBLDCOUP

**HYDRO-BLOK SINGLE SLOPE SHOWER - LINE DRAIN TILE TRIM KITS**

- ◆ In-Sight Trim gives the option of having a metal finished edge along the length of the line drain gap.
- ◆ 3 different heights are available to match common shower pan tile thickness options.
- ◆ Angled trim piece aligns with angled edge of the drain cover access tray for a clean finished look.
- ◆ Trim length is 35 3/4" and they are sold in pairs.
- ◆ Made from high quality 304 Stainless Steel .25MM thick.



**Notes**

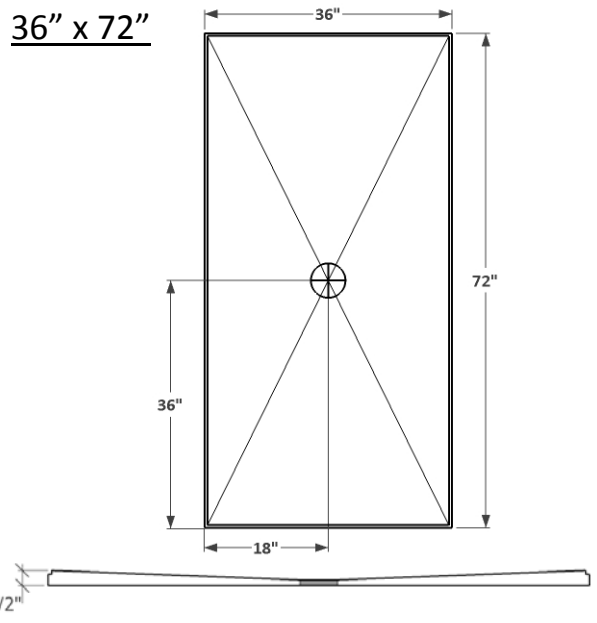
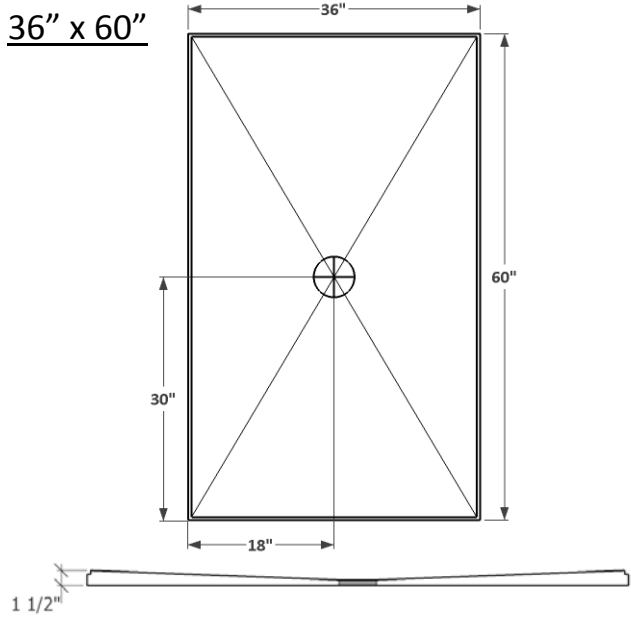
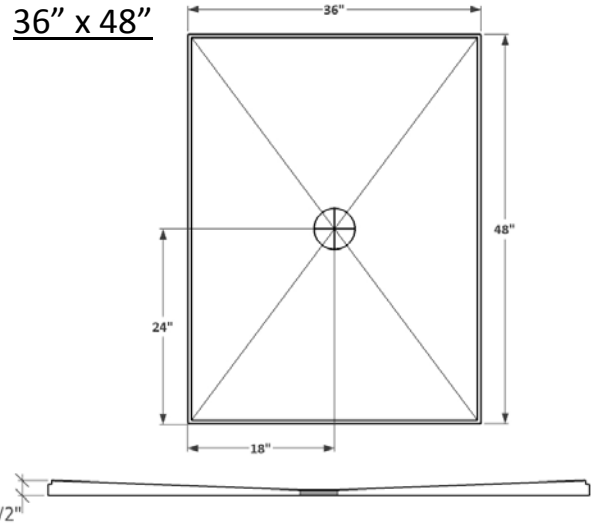
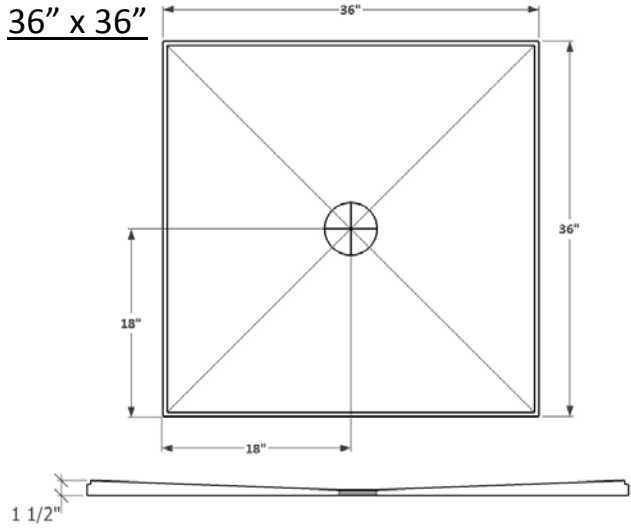
1. Installation to be completed in accordance with manufacturer specifications.
2. Maximum length of un-cut line drain is 73 3/8"
3. Drawings not to scale

**Line Drain Trim Kit**

**Part Number:**  
HBINSI12 (1/2")  
HBINSI38 (3/8")  
HBINSI14 (1/4")

# HYDRO-BLOK™

The BETTER Shower System



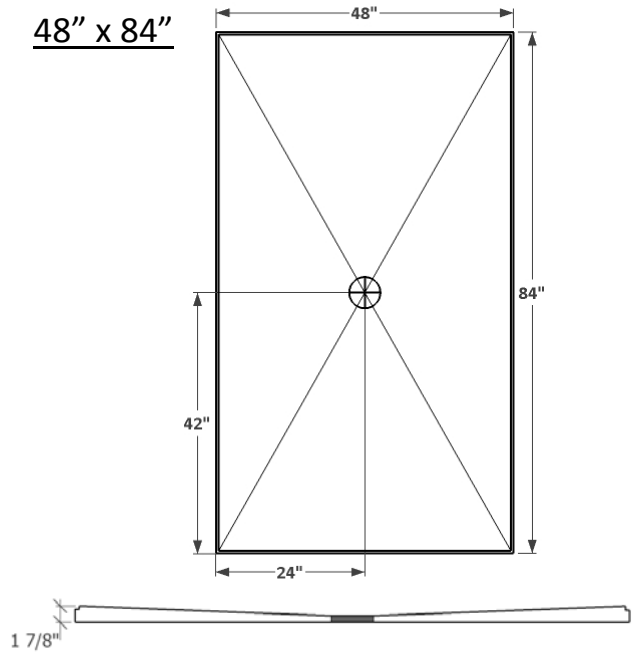
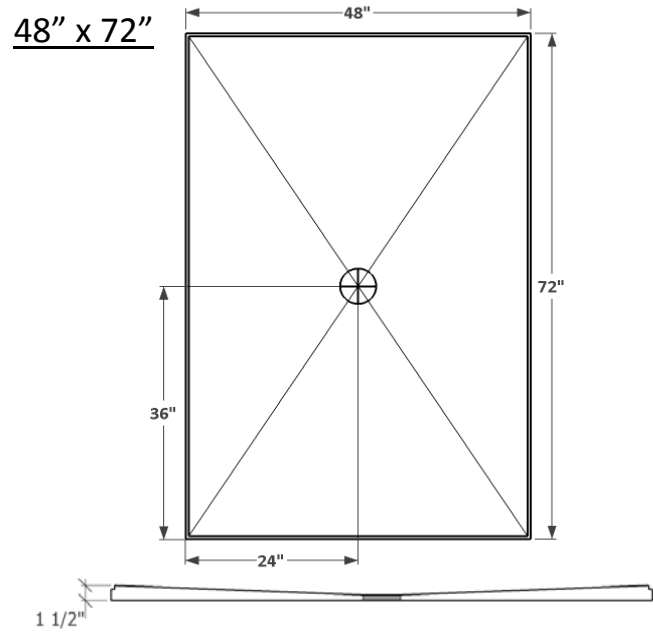
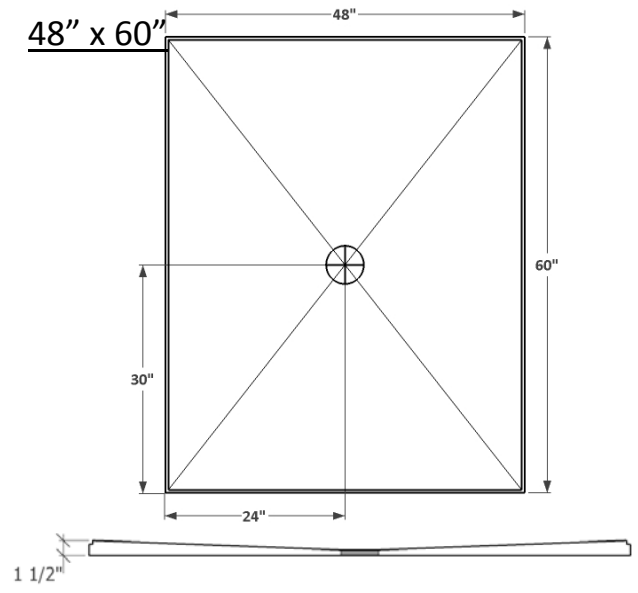
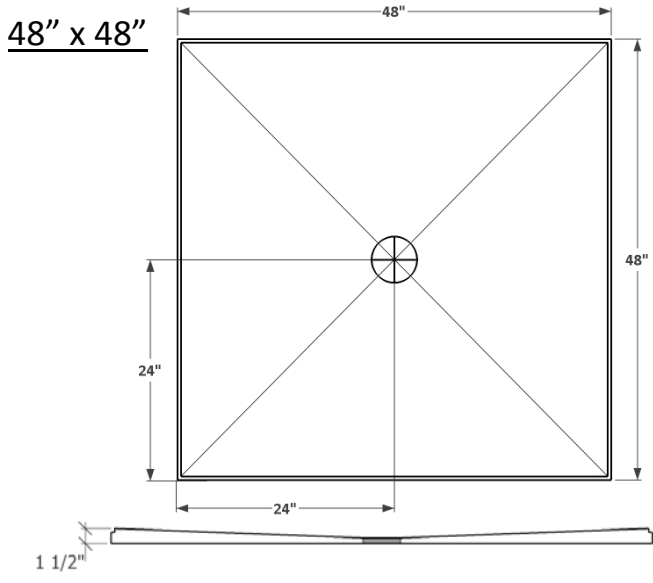
**Notes**

1. Installation to be completed in accordance with manufacture specifications.
2. Drawings not to scale.
3. Sloped at 1/4" per foot to the drain.

<b>36" Shower Pans</b>	
<b>Part Number</b>	
HBSP3636	HBSP3672
HBSP3660	
HBSP3648	

# HYDRO-BLOK™

The BETTER Shower System



**Notes**

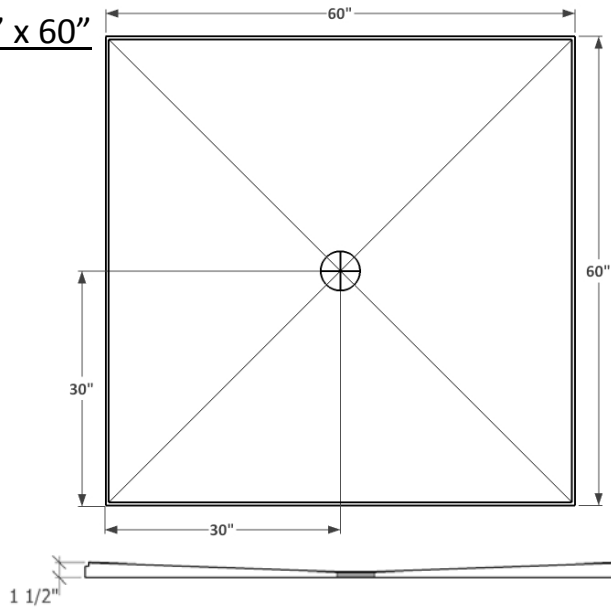
1. Installation to be completed in accordance with manufacture specifications.
2. Drawings not to scale.
3. Sloped at 1/4" per foot to the drain.

<b>48" Shower Pans</b>	
<b>Part Number</b>	
HBSP4848	HBSP4884
HBSP4860	
HBSP4872	

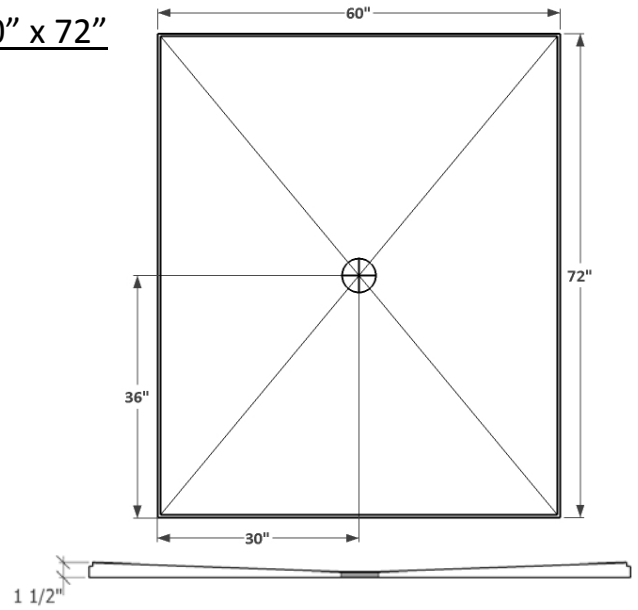
# HYDRO-BLOK™

The BETTER Shower System

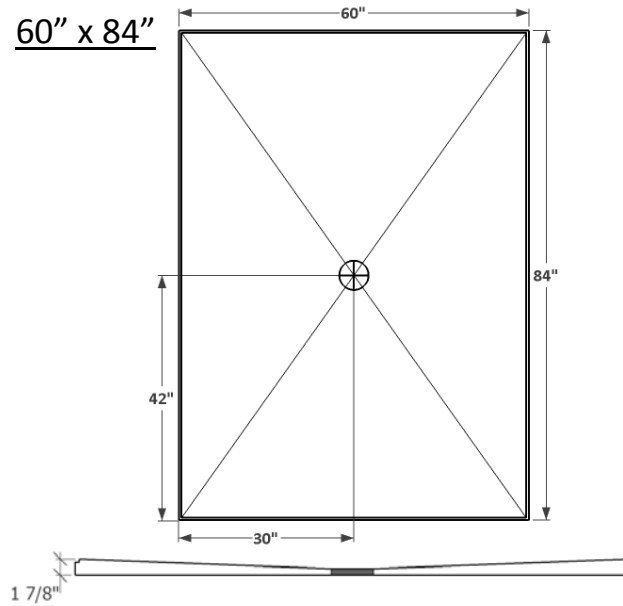
**60" x 60"**



**60" x 72"**



**60" x 84"**



**Notes**

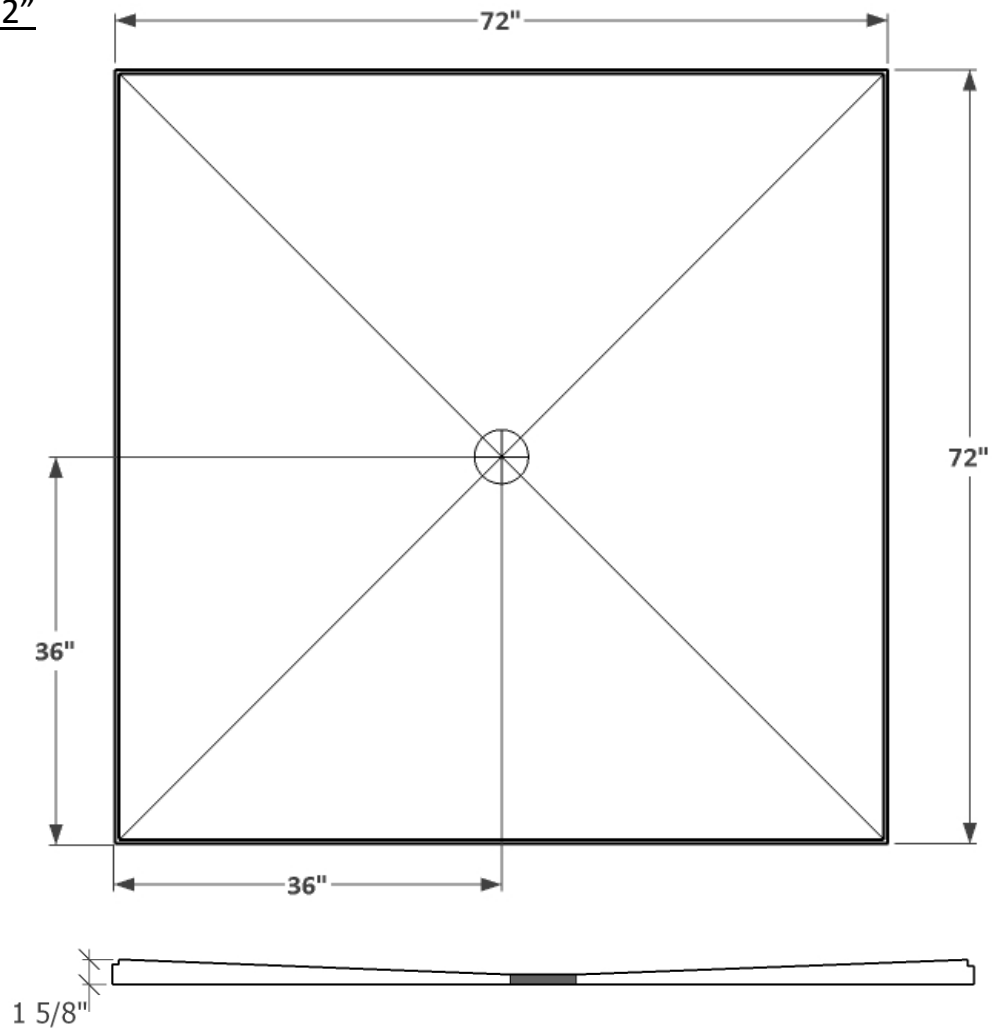
1. Installation to be completed in accordance with manufacture specifications.
2. Drawings not to scale.
3. Sloped at 1/4" per foot to the drain.

**60" Shower Pans**

**Part Number**

- HBSP6060
- HBSP6072
- HBSP6084

72" x 72"



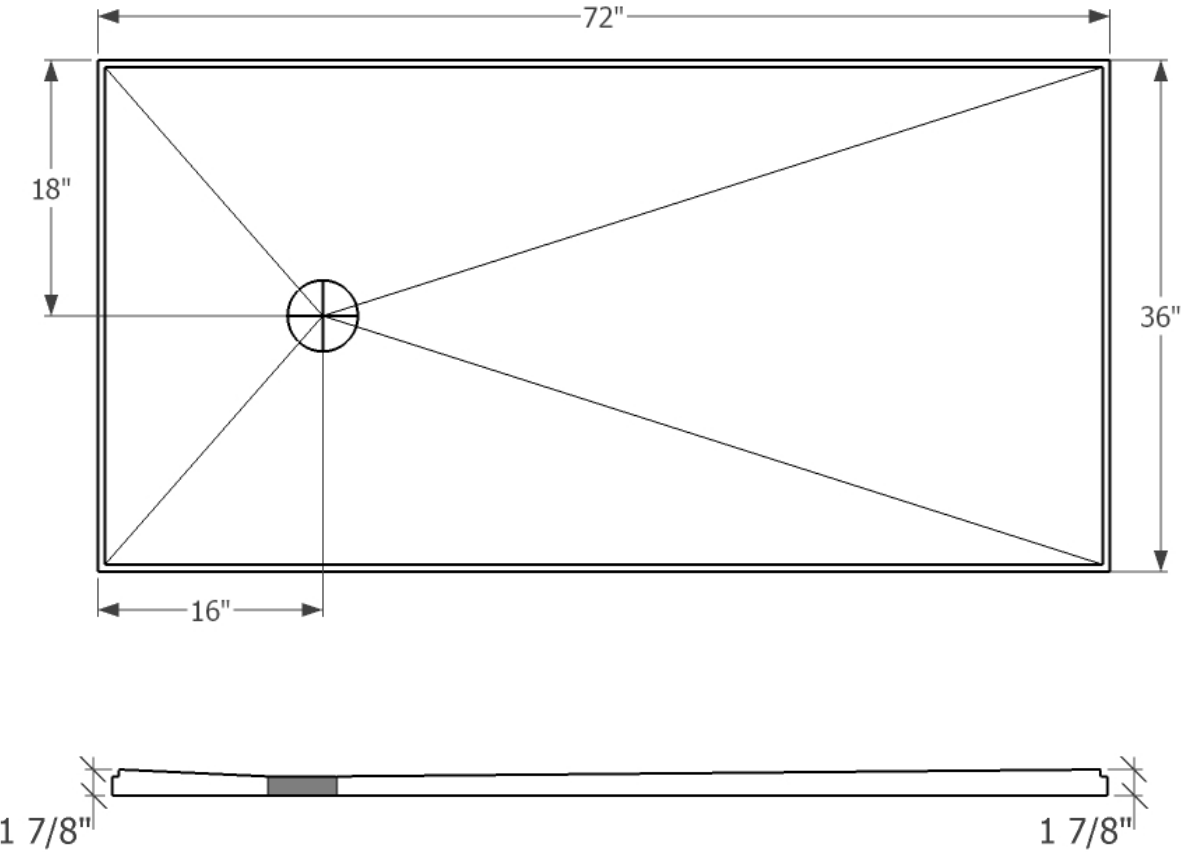
Notes

1. Installation to be completed in accordance with manufacture specifications.
2. Drawings not to scale.
3. Sloped at 1/4" per foot to the drain.

**72" Shower Pan**

**Part Number**  
HBSP7272

36" x 72"



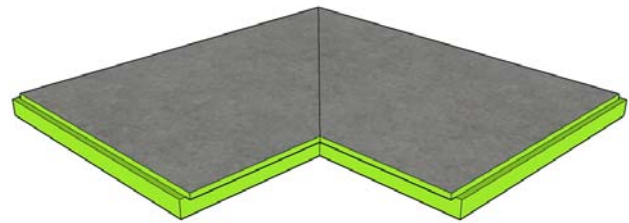
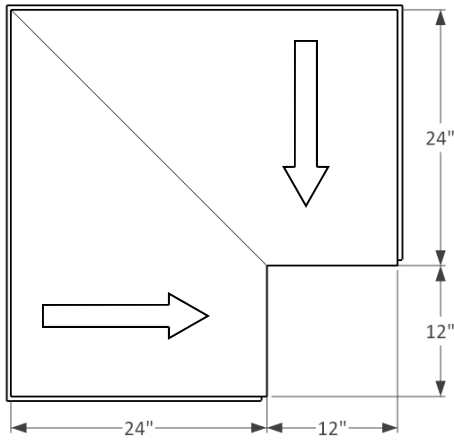
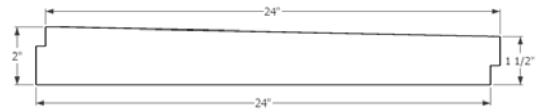
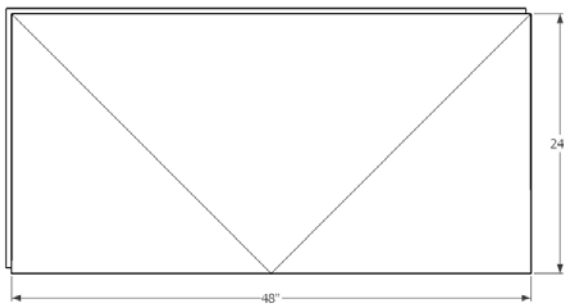
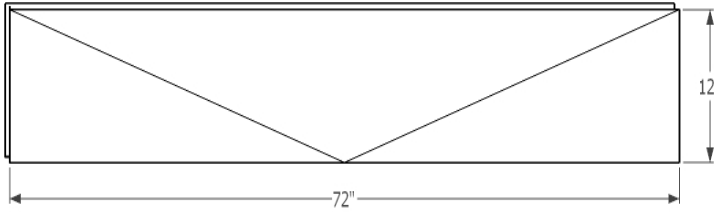
Notes

- 1. Installation to be completed in accordance with manufacture specifications.
- 2. Drawings not to scale.
- 3. Sloped at 1/4" per foot to the drain.

**Retro Shower Pan**  
**Part Number**  
HBSP3672OD

# HYDRO-BLOK™

The BETTER Shower System



**Notes**

1. Installation to be completed in accordance with manufacture specifications.
2. Drawings not to scale.
3. Sloped at 1/4" per foot.

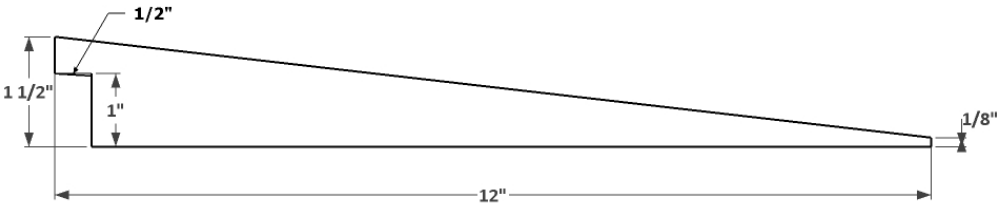
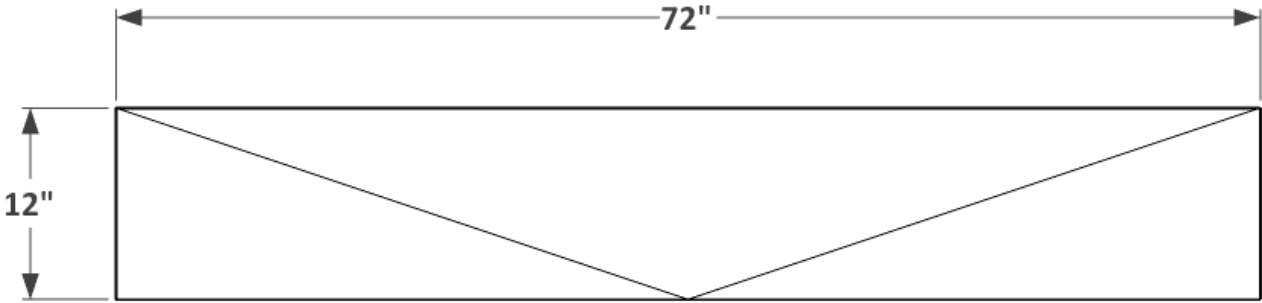
**Shower Pan Extension**

**Part Number**

HBSPE1272

HBSPE2448

HBSPE3636CU12



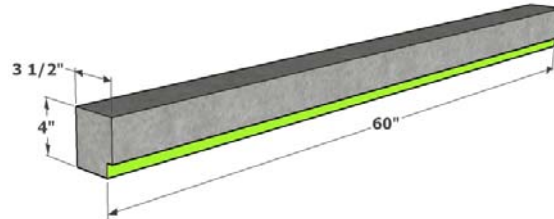
**Notes**

- 1. Installation to be completed in accordance with manufacture specifications.
- 2. Drawings not to scale.

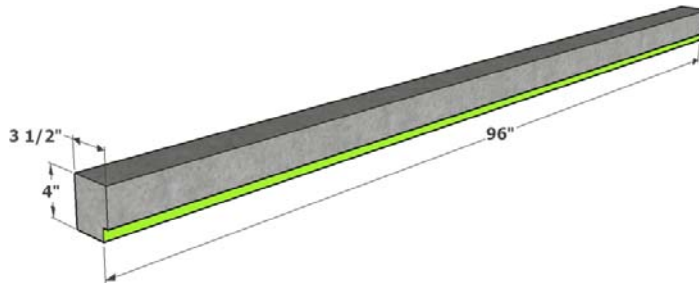
**Wheelchair Ramps**  
**Part Number**  
HBSR1272

## HYDRO-BLOK SHOWER CURBS

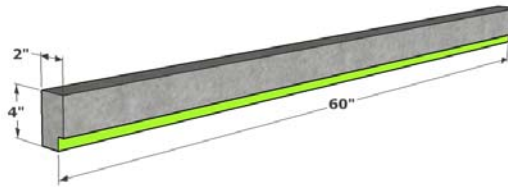
### HBSC312460



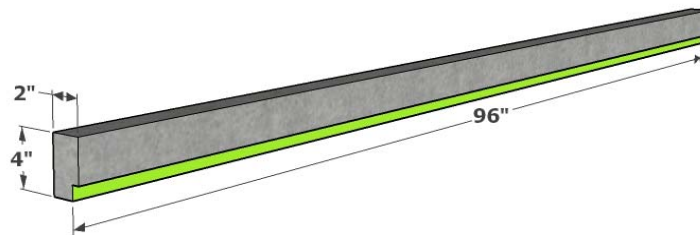
### HBSC312496



### HBSC2460



### HBSC2496



#### Notes

1. Installation to be completed in accordance with manufacturer specifications.
2. Drawings not to scale.

#### Shower Curbs

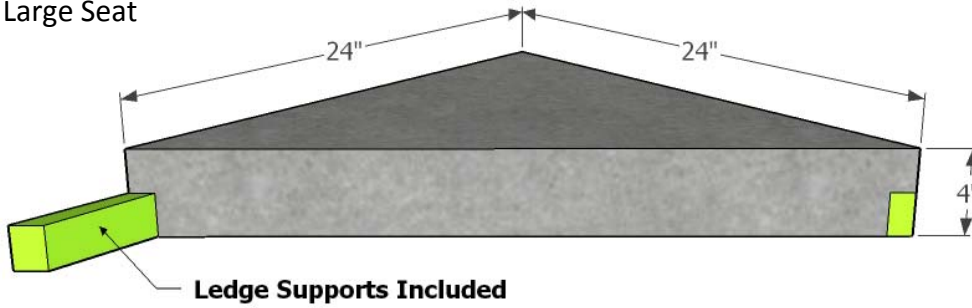
##### **Part Number:**

HBSC312460  
HBSC312496  
HBSC2460  
HBSC2496

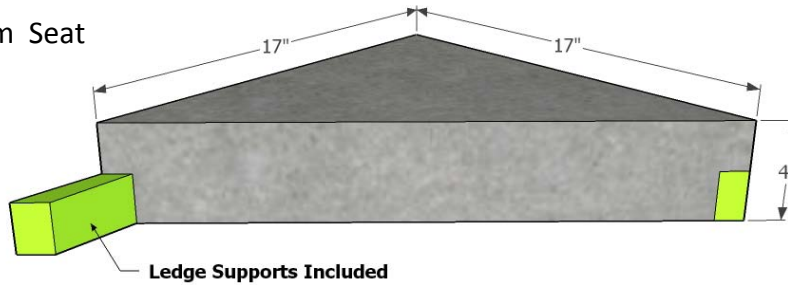
# HYDRO-BLOK™

The BETTER Shower System

Large Seat



Medium Seat



Notes

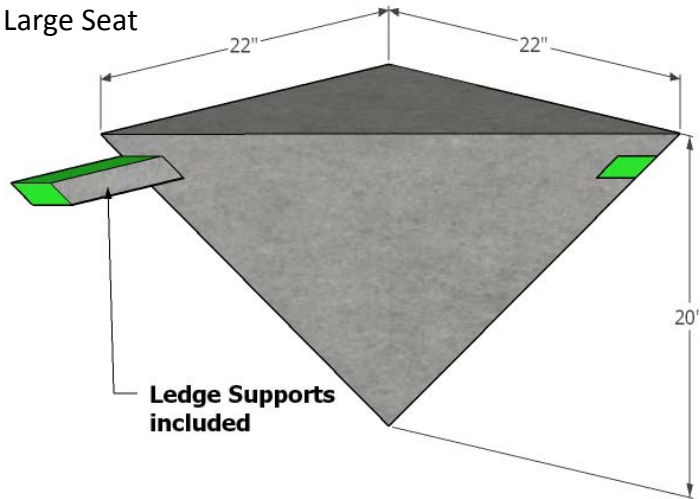
1. Installation to be completed in accordance with manufacture specifications.
2. Drawings not to scale.

**Suspended Seats**

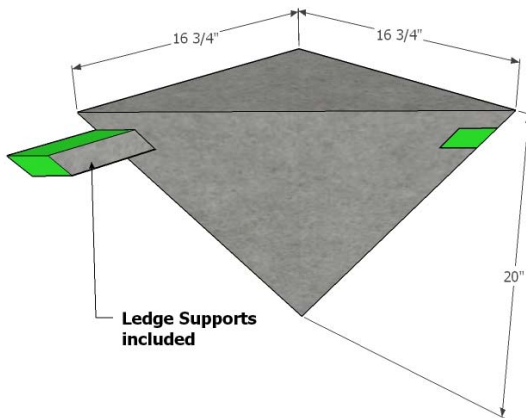
**Part Number**

HBSBL  
HBSBM

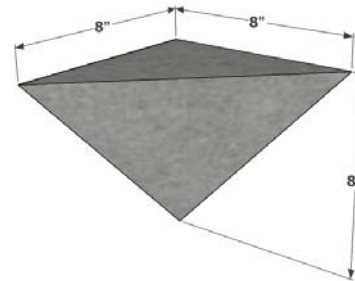
Diamond Large Seat



Diamond Medium Seat



Diamond Shampoo Caddy



Notes

1. Installation to be completed in accordance with manufacture specifications.
2. Drawings not to scale.

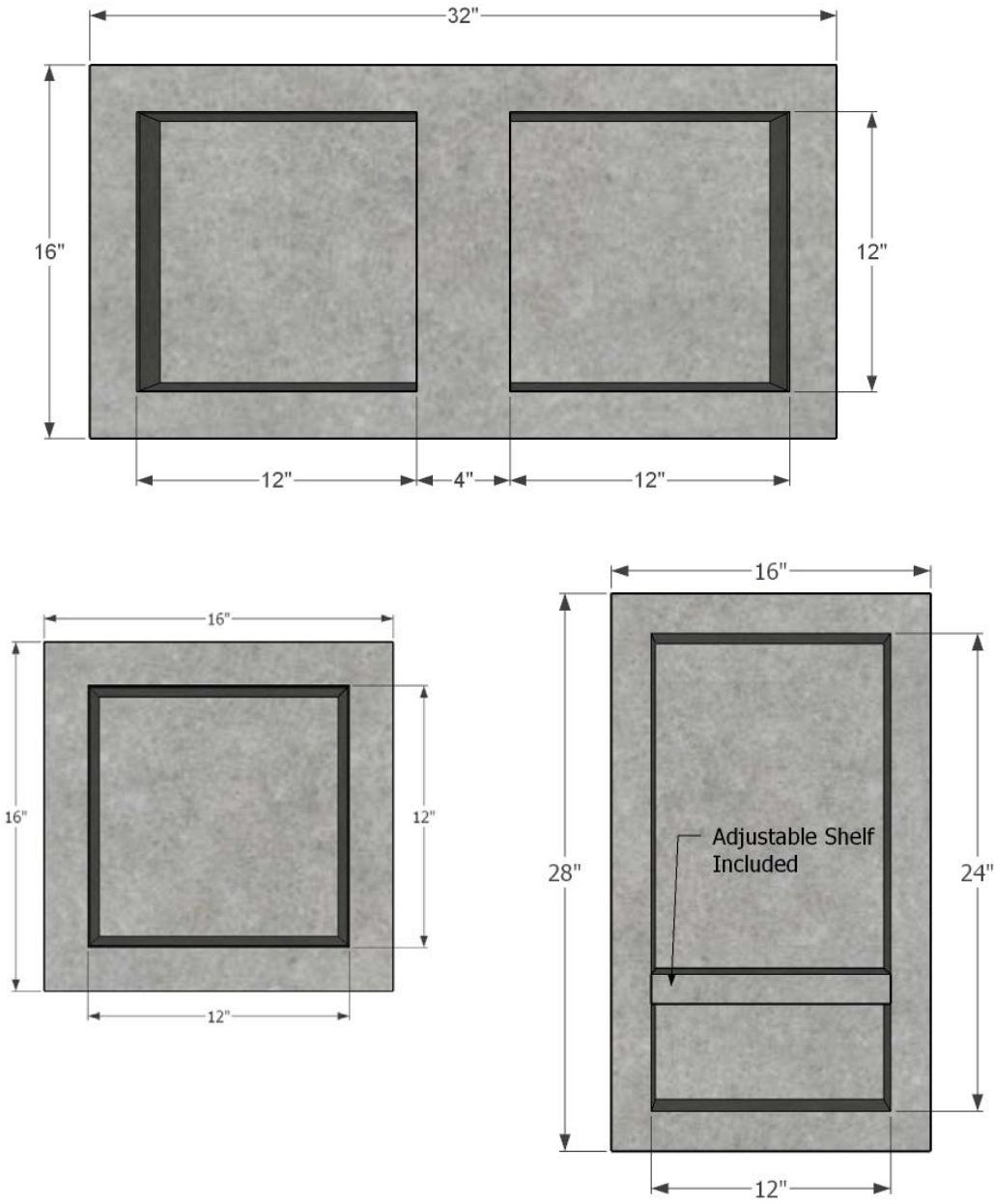
**Diamond Seats/Caddy**

**Part Number**

- HBDBL
- HBDBM
- HBDCS

# HYDRO-BLOK™

The BETTER Shower System



**Notes**

- 1. Installation to be completed in accordance with manufacture specifications.
- 2. Drawings not to scale.

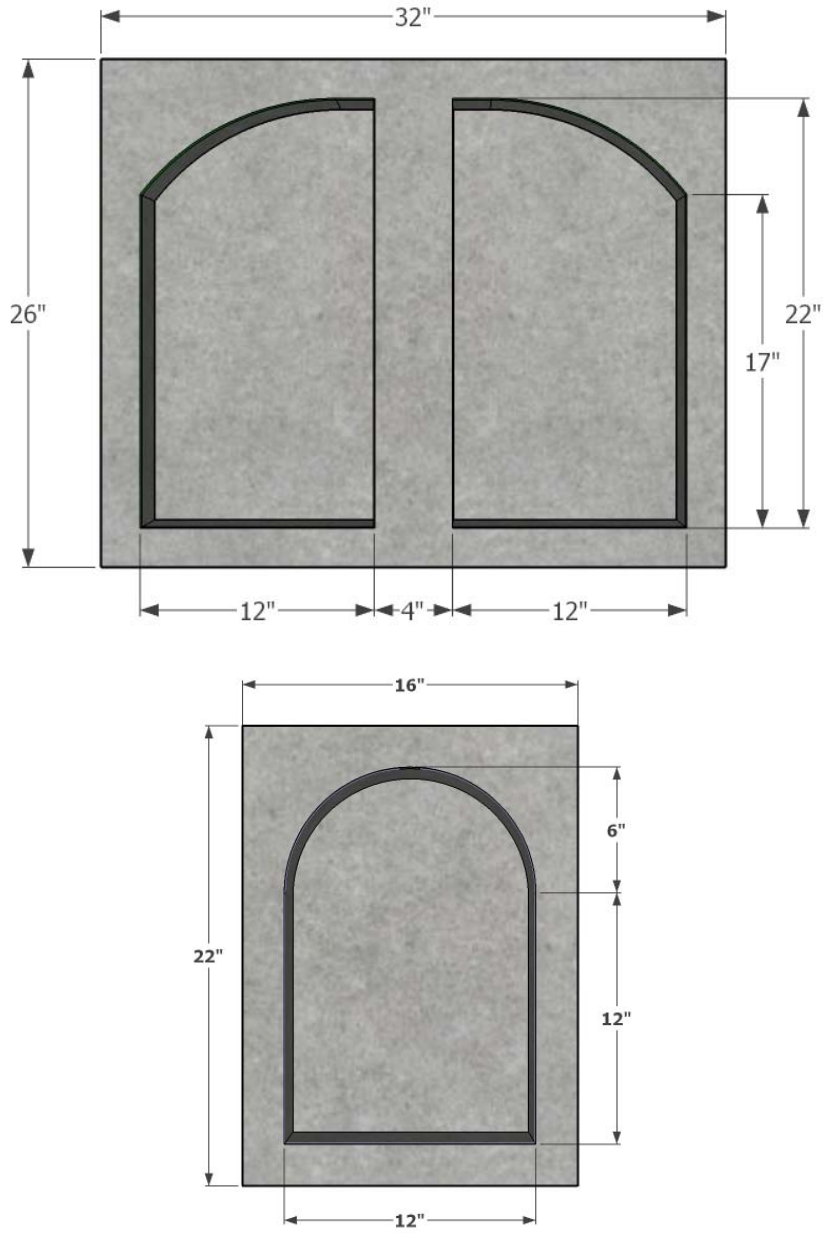
Hydro-Blok USA • 6029 238th St SE, Woodinville, WA 98072 • www.hydroblokusa.com • T:425-286-6840 • F:425-286-6854

**Soap Niches**

- Part Number**  
 HBRDWSN3216  
 HBRSN1616  
 HBRSN1628

# HYDRO-BLOK™

The BETTER Shower System



### Notes

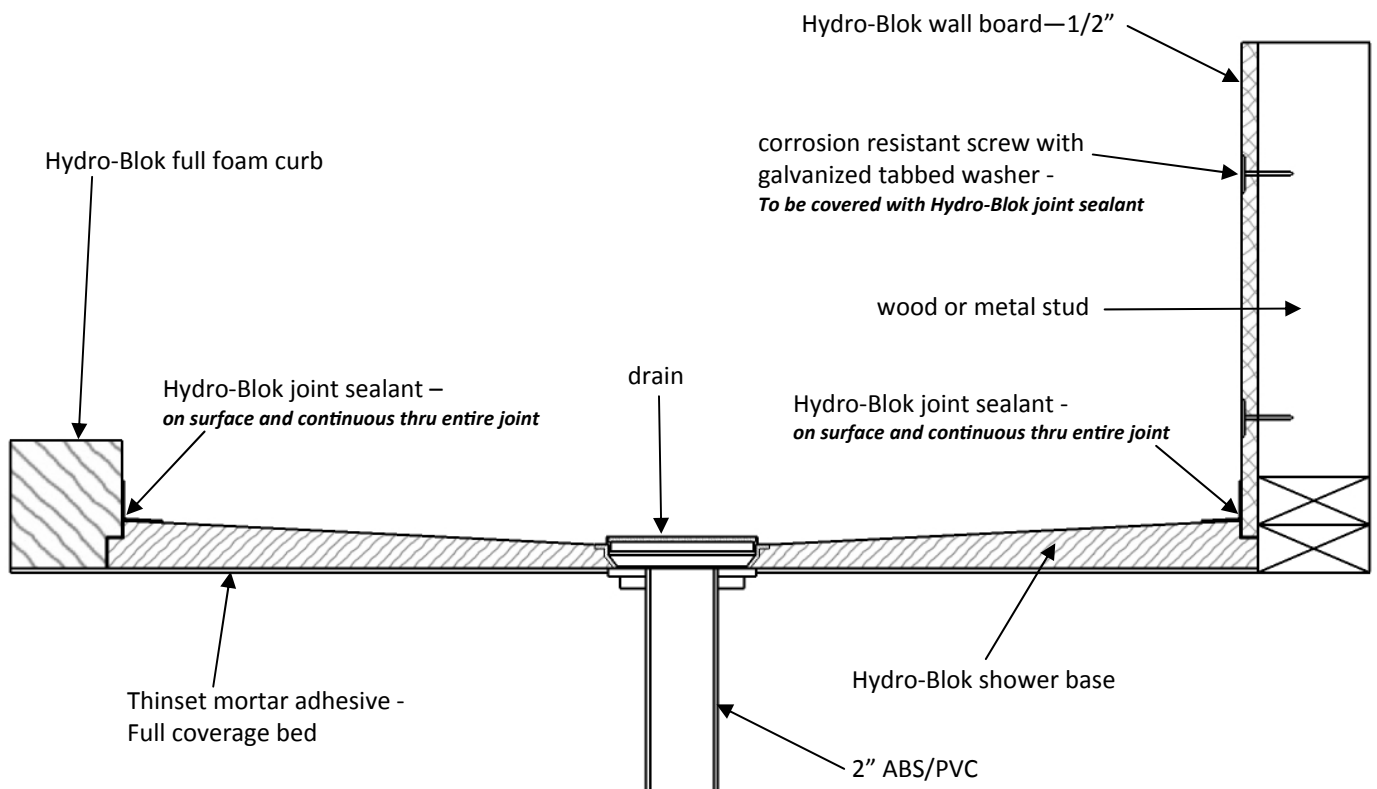
1. Installation to be completed in accordance with manufacture specifications.
2. Drawings not to scale.

### Arched Soap Niches

**Part Number**  
HBRDASN3226  
HBRBHSN1622

# HYDRO-BLOK™

The BETTER Shower System



## Notes

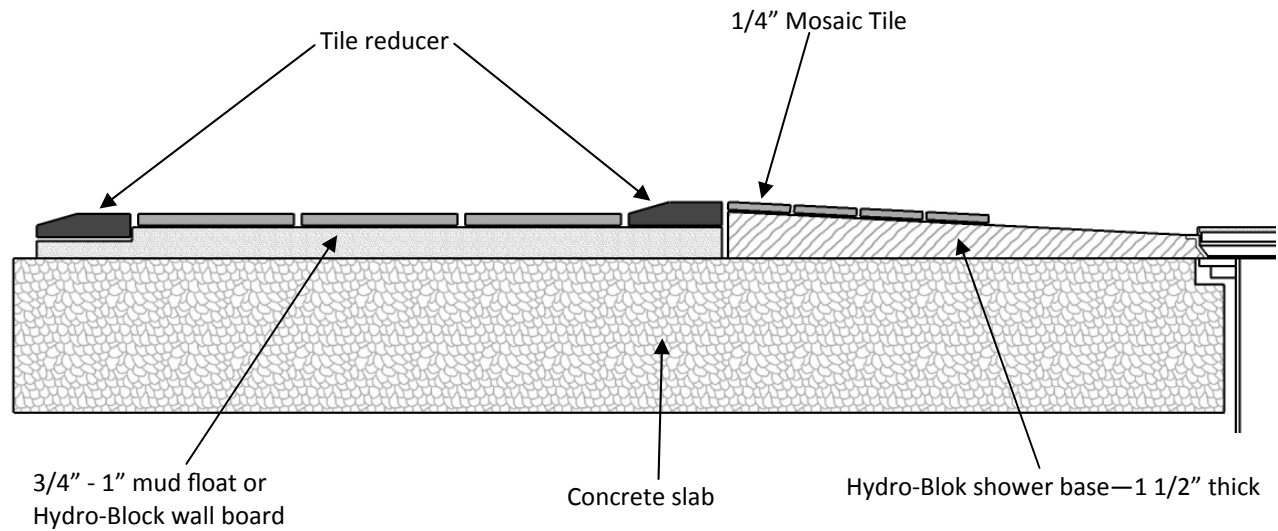
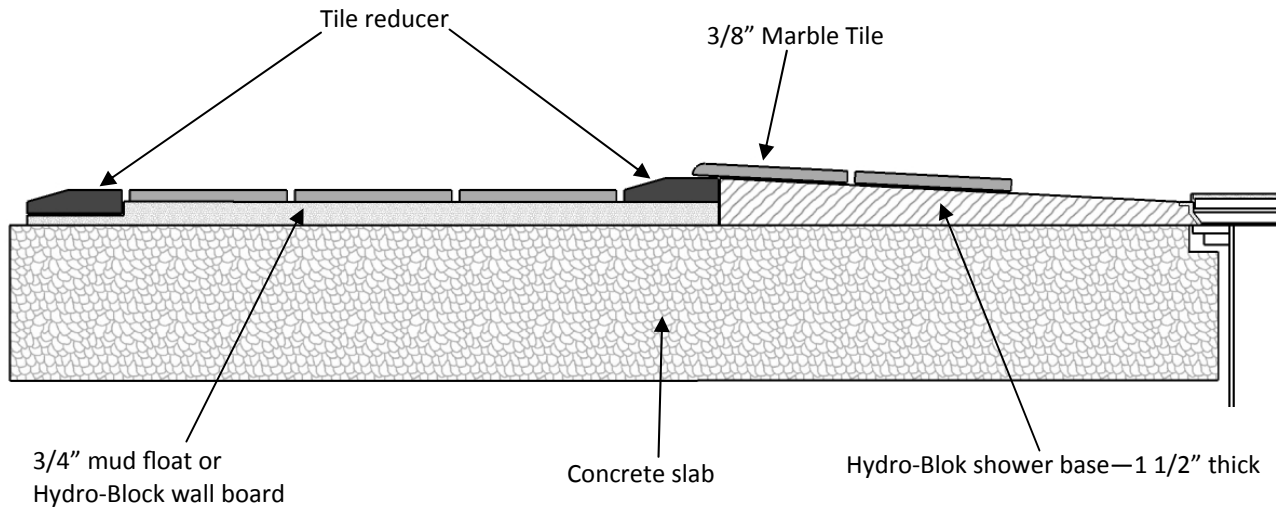
1. Installation to be completed in accordance with manufacture specifications.
2. Drawings not to scale.
3. Sloped at minimum 1/4" per foot to the drain.

Hydro-Blok Shower Base  
With Full Foam Curb

06.02.17

# HYDRO-BLOK™

The BETTER Shower System



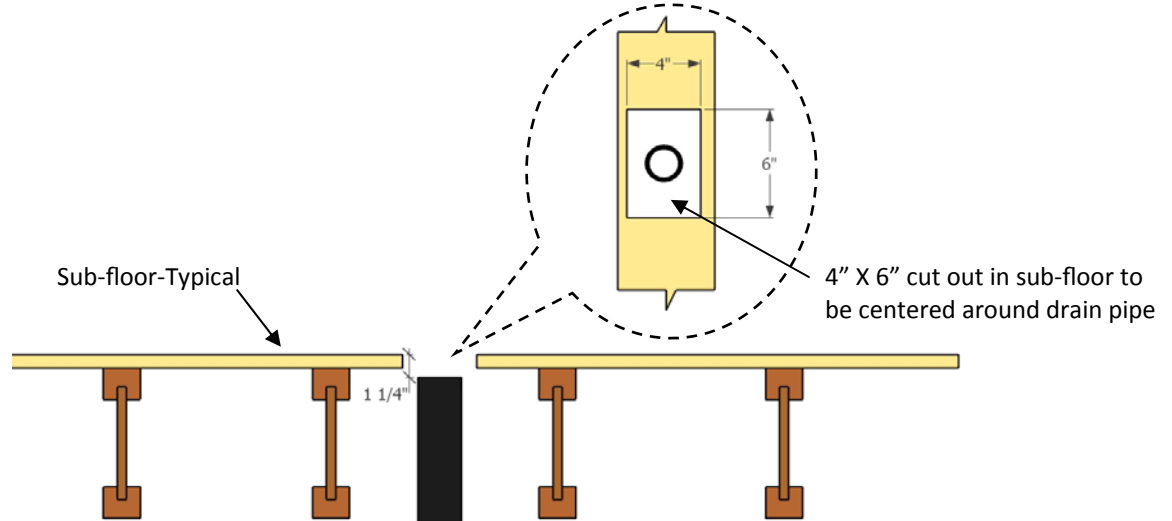
## Notes

1. Installation to be completed in accordance with manufacture specifications.
2. Drawings not to scale.
3. Sloped at minimum 1/4" per foot to the drain.

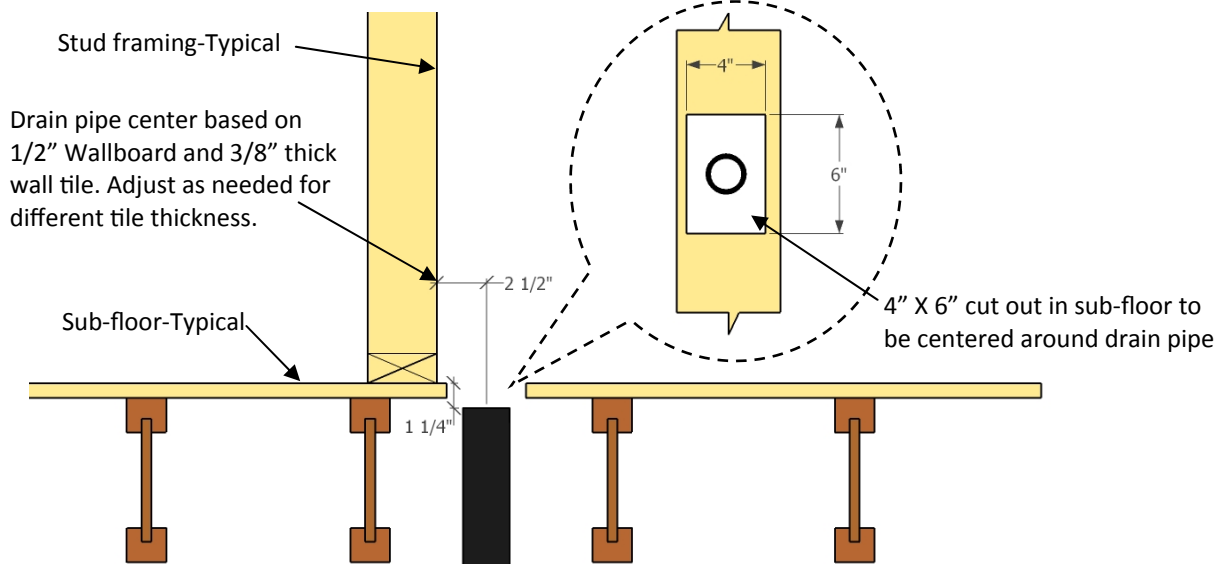
Hydro-Blok Shower Base  
With Curb-less entry

07.07.17

## HYDRO-BLOK LINE DRAIN STANDARD PLUMBING PREP



## HYDRO-BLOK LINE DRAIN PLUMBING PREP AT BACK/SIDE WALL

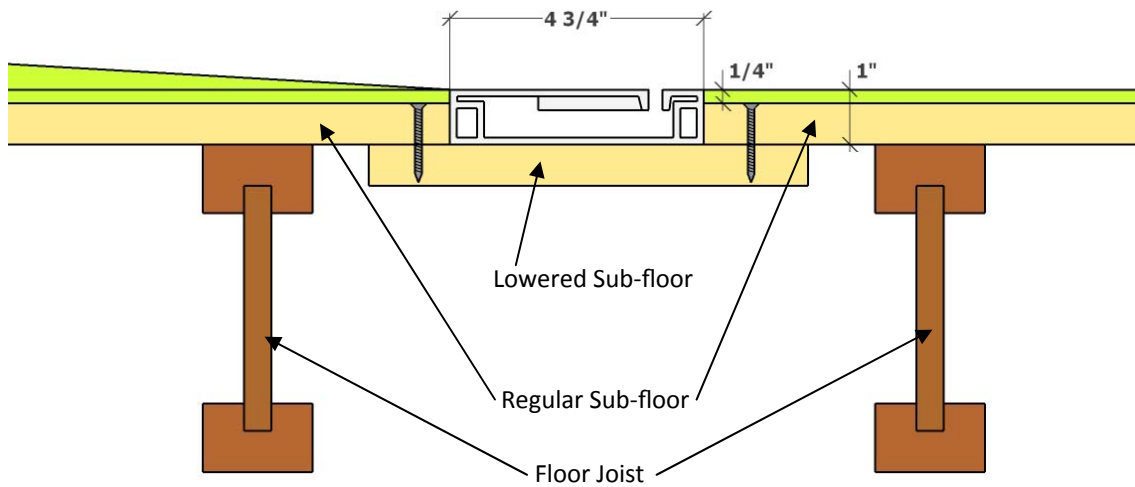
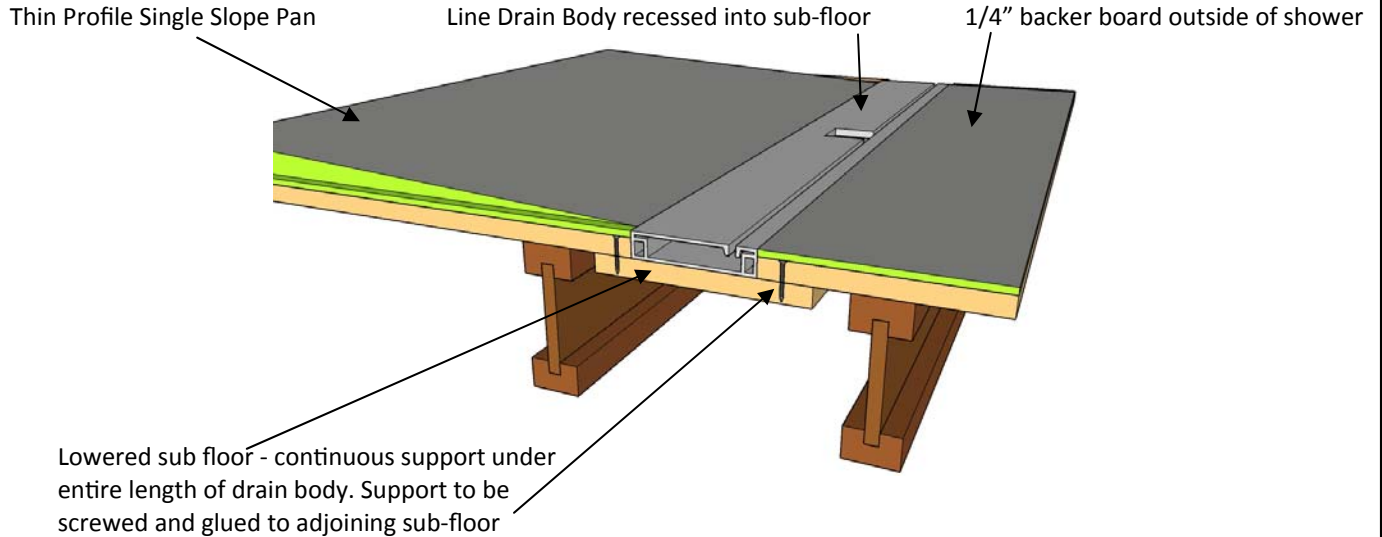


### Notes

1. Installation to be completed in accordance with manufacturer specifications.
2. Drawings not to scale.
3. Single Slope Pans are sloped at 1/4" per foot to the drain.
4. Line Drain will attach to pan on thin edge. Underlined dimension in pan part number indicates edge for drain attachment.

**Hydro-Blok**  
**Line Drain**  
**Plumbing Pipe Prep**

**BARRIER-FREE SHOWER USING THIN PROFILE SINGLE SLOPE SHOWER PANS**

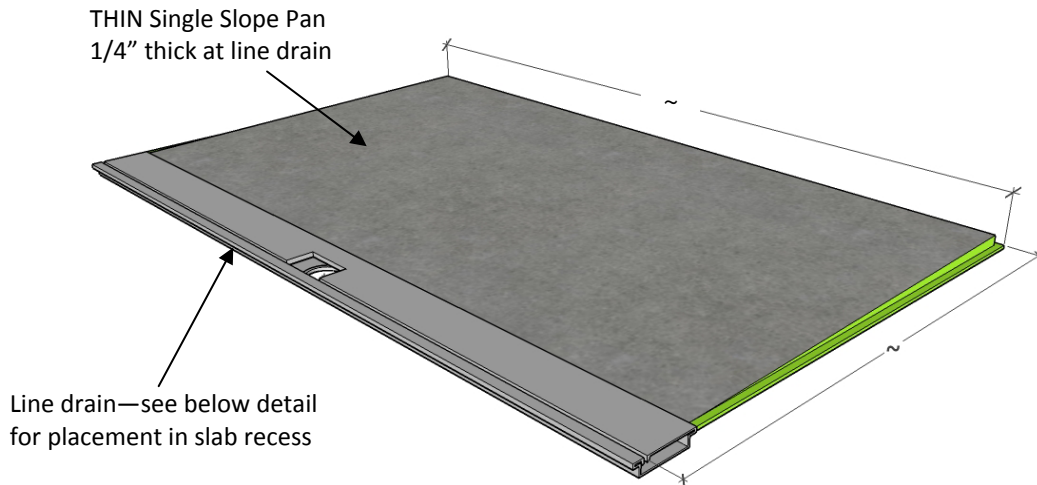


**Notes**

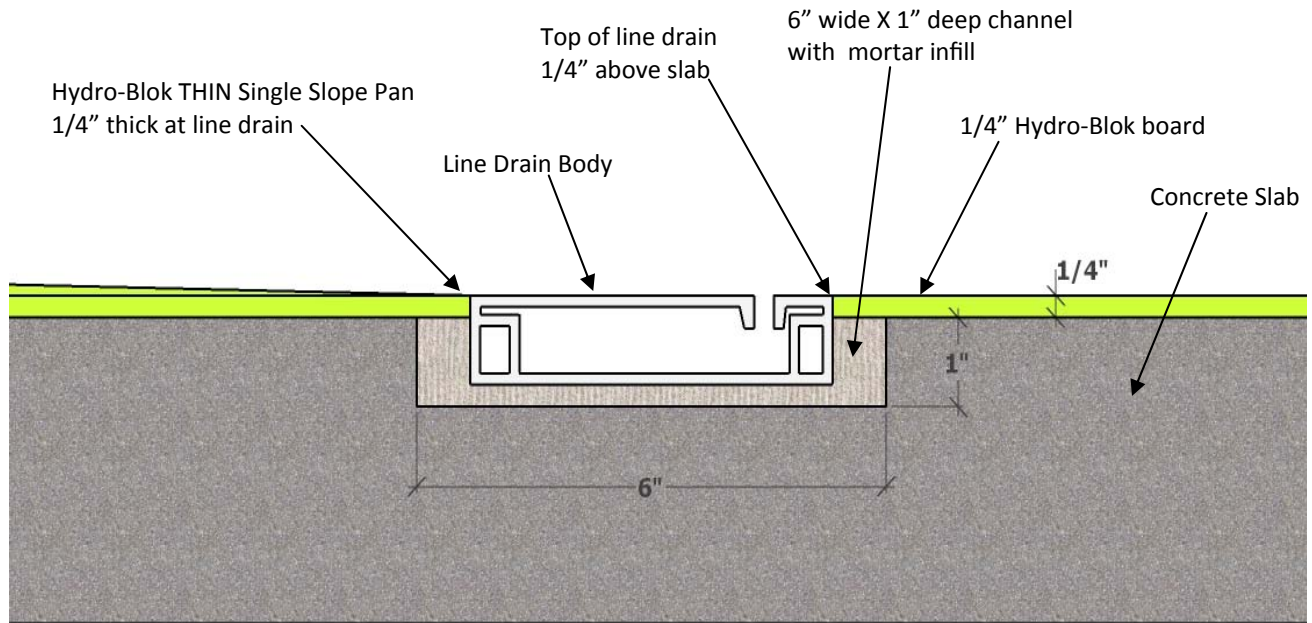
1. Installation to be completed in accordance with manufacturer specifications.
2. Drawings not to scale.
3. Sloped at 1/4" per foot to the drain.
4. Line Drain will attach to pan on thin edge. Underlined dimension in pan part number indicates edge for drain attachment.

**Barrier Free Detail**  
For use with Thin Profile  
Single Slope Pans

**Hydro-Blok THIN Single Slope Pan With Line Drain Recessed In Concrete Slab**



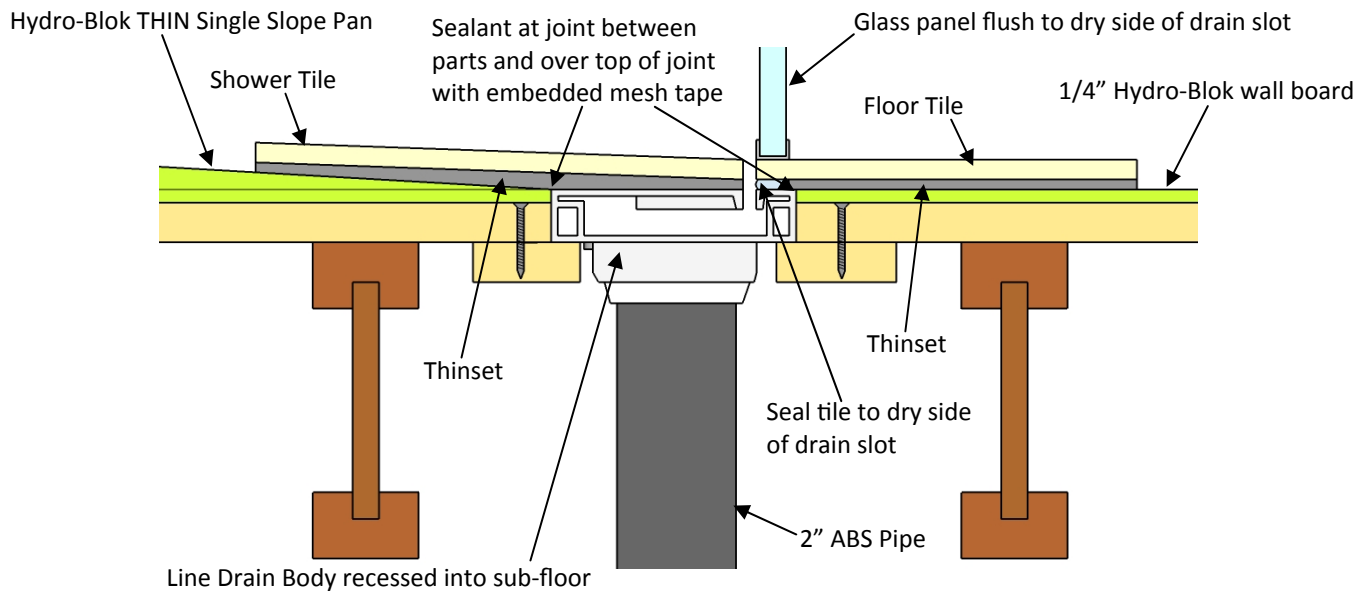
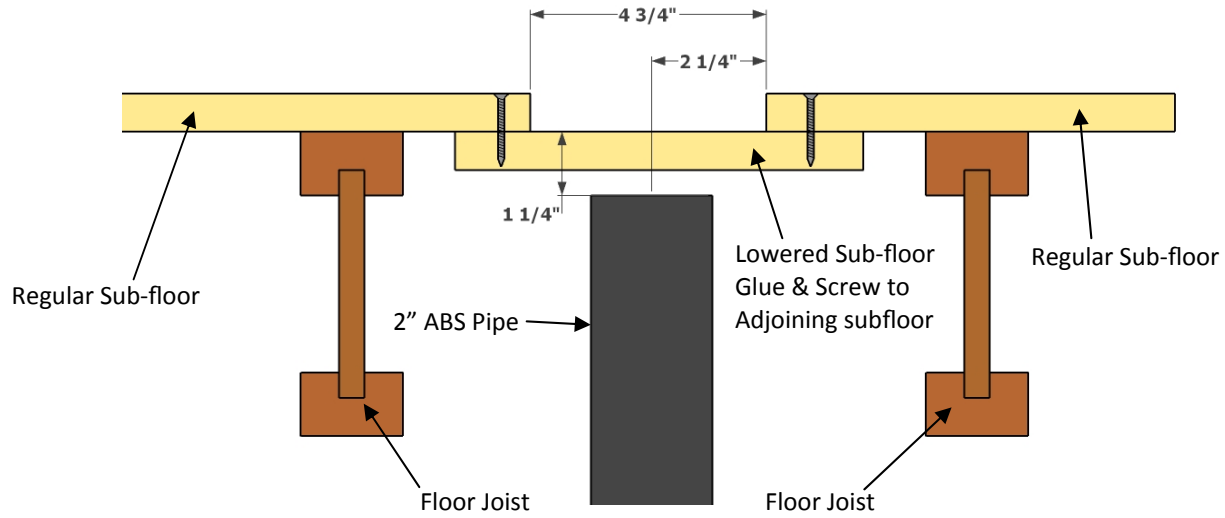
**Slab Line Drain Recess**



**Notes**

1. Installation to be completed in accordance with manufacturer specifications.
2. Drawings not to scale.
3. Sloped at 1/4" per foot to the drain.

**TYPICAL BARRIER-FREE SHOWER USING GLASS PANEL AT ENTRY**



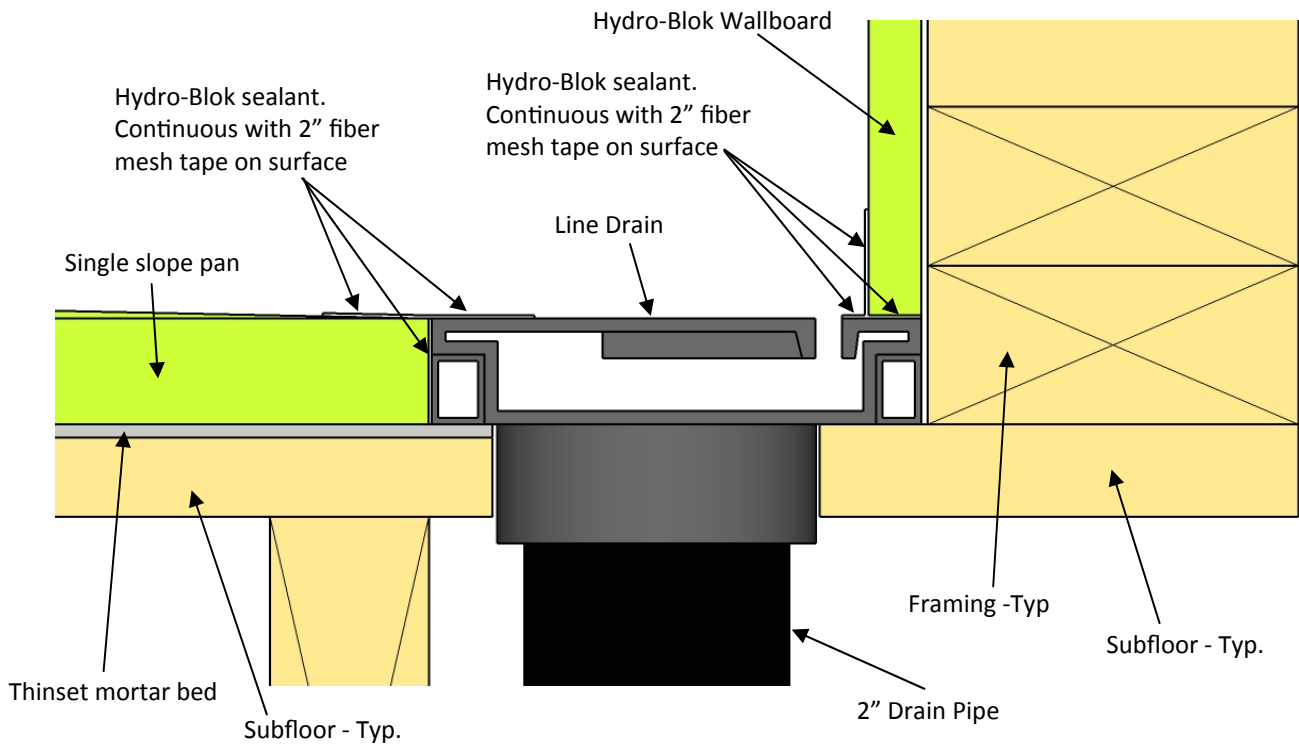
**Notes**

1. Installation to be completed in accordance with manufacturer specifications.
2. Drawings not to scale.
3. Sloped at 1/4" per foot to the drain.
4. Line Drain will attach to pan on thin edge. Underlined dimension in pan part number indicates edge for drain attachment.

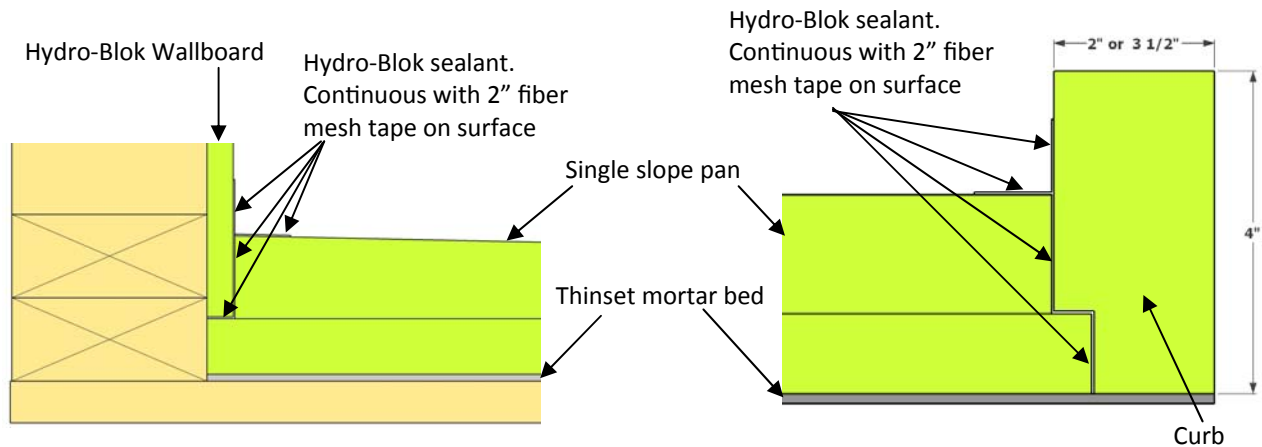
**Barrier Free Detail**  
For use with Thin Profile  
Single Slope Pans

# HYDRO-BLOK™

The BETTER Shower System



**Line Drain Wallboard and Pan Joint Detail**



**Wallboard/Shower Pan Joint Detail**

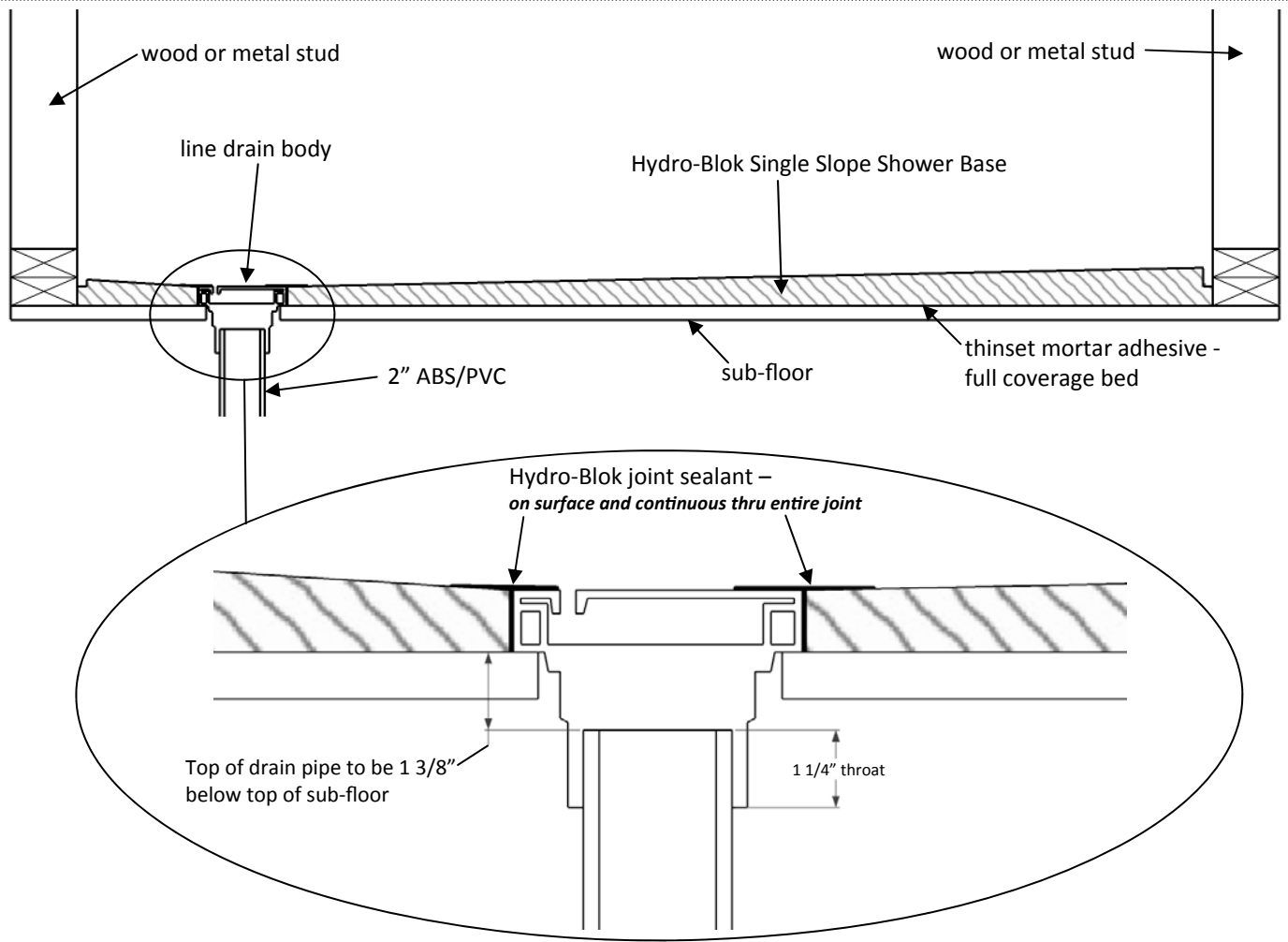
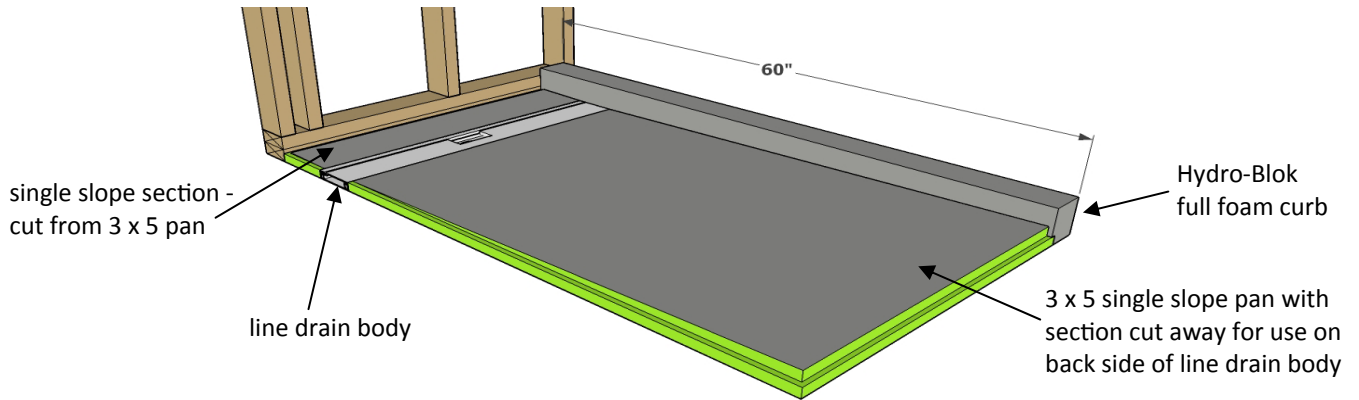
**Hydro-Blok Shower Curb and Pan Joint Detail**

**Notes**

1. Installation to be completed in accordance with manufacturer specifications.
2. Drawings not to scale.
3. Sloped at 1/4" per foot to the drain.

# HYDRO-BLOK™

The BETTER Shower System



### Notes

1. Installation to be completed in accordance with manufacturer specifications.
2. Drawings not to scale.
3. Sloped at minimum 1/4" per foot to the drain.

Hydro-Blok line drain for bath tub retro-fit

06.13.17