

# Plumb Supply

*Kitchens & Baths*

BID# 9205708



**MAKAYLA HELMOLD**

563-391-0240 • MHELMOLD@PLUMBSUPPLY.COM

**DAVENPORT**

4601 GRAND AVENUE • DAVENPORT, IA 52807

Family Bath



KOHLER  
**933-BN**  
Vibrant Brushed Nickel Finish



KOHLER  
**23219-BN**  
Vibrant Brushed Nickel Finish



KOHLER  
**T97019-4-BN**  
Vibrant Brushed Nickel Finish



KOHLER  
**11748-K-NA**  
Not Applicable Finish

Family Bath (Continued)



KOHLER  
**97021-BN**  
Vibrant Brushed Nickel Finish



OASIS  
**MB-S-6030L WHT**



WATCO MANUFACTURING  
**601-PP-PVC-BN**  
Brushed Nickel Finish

Master Bath



KOHLER  
**933-BN**  
Vibrant Brushed Nickel Finish



KOHLER  
**23219-BN**  
Vibrant Brushed Nickel Finish



KOHLER  
**TS97018-4-BN**  
Vibrant Brushed Nickel Finish



KOHLER  
**8304-K-NA**  
Not Applicable Finish

## KOHLER® Faucets

### Features

- 1/2" - 14 NPT connection.
- Fluid design lines for ease of cleaning.
- For use with KOHLER showerheads (sold separately).

### Material

- Metal construction.

## Purist® Shower Arm and Flange K-933



### Codes/Standards

ASME A112.18.1/CSA B125.1

### KOHLER® Faucet Lifetime Limited Warranty

See website for detailed warranty information.

### Available Colors/Finishes

*Color tiles intended for reference only.*

Color	Code	Description
	CP	Polished Chrome
	SN	Vibrant® Polished Nickel
	BN	Vibrant® Brushed Nickel
	BV	Vibrant® Brushed Bronze
	BL	Matte Black
	RGD	Vibrant Rose Gold

1-800-4KOHLER (1-800-456-4537)

Kohler Co. reserves the right to make revisions without notice to product specifications.

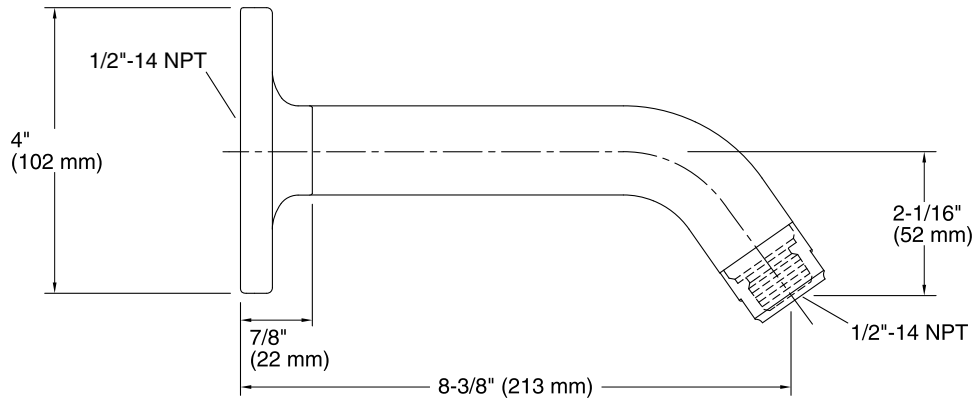
For the most current Specification Sheet, go to [www.kohler.com](http://www.kohler.com).

9-7-2019 14:56 - US/CA

THE BOLD LOOK  
OF **KOHLER®**

# KOHLER® Faucets

## Purist® Shower Arm and Flange K-933



### Technical Information

All product dimensions are nominal.

### Notes

Install this product according to the installation guide.

1-800-4KOHLER (1-800-456-4537)

Kohler Co. reserves the right to make revisions without notice to product specifications.

For the most current Specification Sheet, go to [www.kohler.com](http://www.kohler.com).

9-7-2019 14:56 - US/CA

THE BOLD LOOK  
OF **KOHLER**®

# KOHLER® Faucets

## 2-in-1 multifunction 2.5 gpm shower combo kit Purist® K-23219

### Features

- Multifunction showerhead and handshower each have advanced spray engines to provide three experiences: full coverage, pulsating massage, and silk spray
- Full coverage spray produces an encompassing spray ideal for everyday use
- Pulsating massage spray targets sore muscles to ease away aches and pains
- Silk spray releases a dense, luxurious spray ideal for rinsing
- Pause feature temporarily pauses water flow to conserve water while you lather, shave, or shampoo
- MasterClean™ sprayface features an easy-to-clean surface that withstands mineral buildup
- 2.5 gpm (9.5 lpm) maximum flow rate at 45 psi (3.1 bar)
- Box includes: Showerhead, handshower, and 60" (1524 mm) metal hose

### Material

- Premium material construction for durability and reliability
- KOHLER finishes resist corrosion and tarnishing

### Installation

- Shower arm and flange sold separately

### Included Components

Additional Components:  
60" metal hose



### Codes/Standards

ASME A112.18.1/CSA B125.1  
DOE - Energy Policy Act 1992

### KOHLER® Faucet Lifetime Limited Warranty

See website for detailed warranty information.

### Available Colors/Finishes

*Color tiles intended for reference only.*

Color	Code	Description
	CP	Polished Chrome
	SN	Vibrant® Polished Nickel
	BN	Vibrant® Brushed Nickel
	BV	Vibrant® Brushed Bronze
	BL	Matte Black
	2MB	Vibrant® Brushed Moderne Brass
	TT	Vibrant Titanium

1-800-4KOHLER (1-800-456-4537)

Kohler Co. reserves the right to make revisions without notice to product specifications.

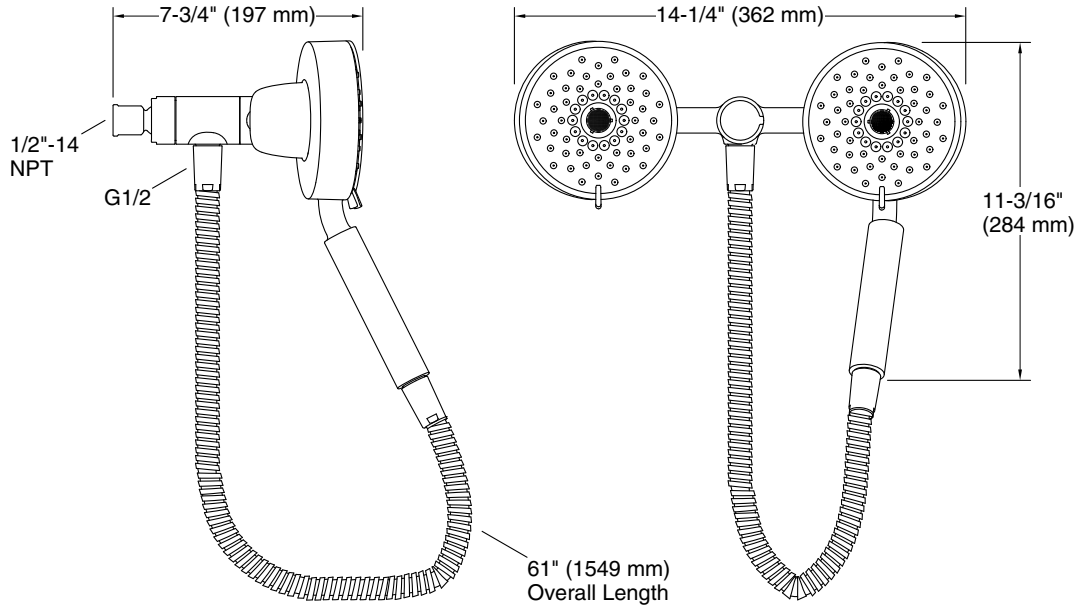
For the most current Specification Sheet, go to [www.kohler.com](http://www.kohler.com).

2-1-2023 11:38 - US/CA

THE BOLD LOOK  
OF **KOHLER**®

**KOHLER** Faucets

**Purist®**  
2-in-1 multifunction 2.5 gpm shower combo kit  
**K-23219**



**Technical Information**

All product dimensions are nominal.

**Showerhead/Body Spray:**

Rated maximum flow: 2.5 gal/min (9.5 l/min)

Pressure: 45 psi (3.1 bar)

**Notes**

Install this product according to the installation instructions.

1-800-4KOHLER (1-800-456-4537)

Kohler Co. reserves the right to make revisions without notice to product specifications.

For the most current Specification Sheet, go to [www.kohler.com](http://www.kohler.com).

2-1-2023 11:38 - US/CA

THE BOLD LOOK  
OF **KOHLER**®

# KOHLER® Faucets

## Avid™ Rite-Temp® valve trim with diverter, lever handle K-T97019-4

### Features

- Single handle controls both on/off activation and temperature settings.
- ADA-compliant ergonomic handle.
- Provides temperature regulation and automatic anti-scald protection.
- Integrated push-button diverter.
- Coordinates with other products in the Avid collection.
- Bath- or deck-mount installation.

### Material

- Premium material construction with metal handle ensures reliability and durability.
- KOHLER finishes resist corrosion and tarnishing.

### Technology

- Pressure-balancing diaphragm technology maintains outlet temperature within +/-3 degrees Fahrenheit during water pressure fluctuations.

### Required Products/Accessories

K-11748 Series Rite-Temp® Valves

### Recommended Products/Accessories

K-23723 Faucet cleaner



ADA	CSA B651	OBC
-----	----------	-----

### Codes/Standards



ASME A112.18.1/CSA B125.1  
ADA  
ICC/ANSI A117.1  
CSA B651  
OBC

### KOHLER® One-Year Limited Warranty

See website for detailed warranty information.

### Available Colors/Finishes

*Color tiles intended for reference only.*

Color	Code	Description
	CP	Polished Chrome
	BN	Vibrant® Brushed Nickel

1-800-4KOHLER (1-800-456-4537)

Kohler Co. reserves the right to make revisions without notice to product specifications.

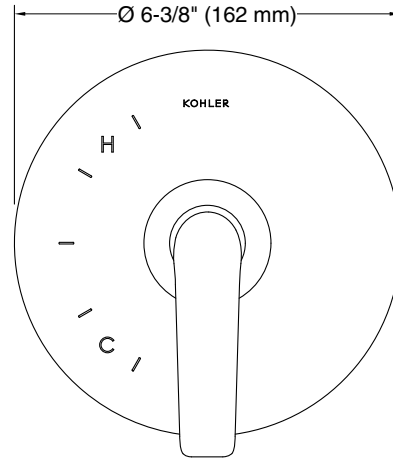
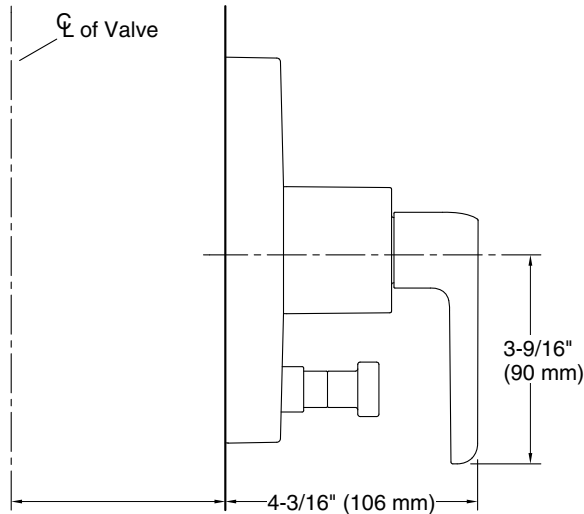
For the most current Specification Sheet, go to [www.kohler.com](http://www.kohler.com).

3-23-2020 05:57 - US/CA

THE BOLD LOOK  
OF  
**KOHLER®**

**KOHLER** Faucets

**Avid™**  
Rite-Temp® valve trim with diverter, lever handle  
**K-T97019-4**



2-3/4" (70 mm) Thin Wall  
3-1/2" (89 mm) Thick Wall  
If over 3-1/2" (89 mm) and  
up to 4-1/2" (114 mm). Use  
Deep Roughing-in Kit

**Technical Information**

All product dimensions are nominal.

Drain included: No

**Notes**

Install this product according to the installation instructions.

ADA, OBC, CSA B651 compliant when installed to the specific requirements of these regulations.

1-800-4KOHLER (1-800-456-4537)

Kohler Co. reserves the right to make revisions without notice to product specifications.

For the most current Specification Sheet, go to [www.kohler.com](http://www.kohler.com).

3-23-2020 05:57 - US/CA

THE BOLD LOOK  
OF **KOHLER**®

## KOHLER® Faucets

### Features

- Rite-Temp® pressure-balancing diaphragm design.
- Pressure-balancing mechanism of one-piece diaphragm cartridge design for ease of maintenance.
- Mixing valve cycles from "cold" to "hot".
- Integral diverter mechanism.
- High-temperature limit setting for added safety.
- Less screwdriver stops.
- Designed for showerhead and handshower applications.

### Material

- Brass valve bodies.

## Rite-Temp® Pressure-Balancing Valve w/Diverter K-11748-K



### Codes/Standards

ASME A112.18.1/CSA B125.1  
ASSE 1016/ASME A112.1016/CSA B125.16

### KOHLER® Faucet Lifetime Limited Warranty

See website for detailed warranty information.

1-800-4KOHLER (1-800-456-4537)

Kohler Co. reserves the right to make revisions without notice to product specifications.

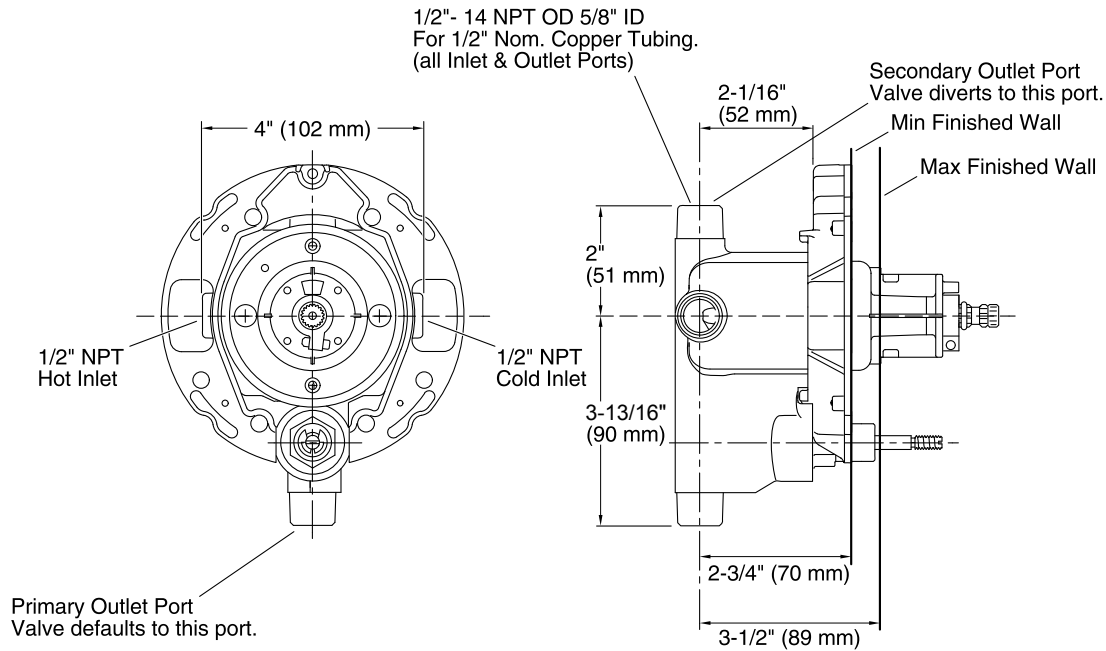
For the most current Specification Sheet, go to [www.kohler.com](http://www.kohler.com).

9-7-2019 06:05 - US/CA/MX

THE BOLD LOOK  
OF **KOHLER®**

# KOHLER Faucets

## Rite-Temp® Pressure-Balancing Valve w/Diverter K-11748-K



### Technical Information

All product dimensions are nominal.

### Notes

Install this product according to the installation guide.

1-800-4KOHLER (1-800-456-4537)

Kohler Co. reserves the right to make revisions without notice to product specifications.

For the most current Specification Sheet, go to [www.kohler.com](http://www.kohler.com).

9-7-2019 06:05 - US/CA/MX

THE BOLD LOOK  
OF **KOHLER**®

## KOHLER® Faucets

### Avid™ Wall-mount bath spout K-97021

#### Features

- Non-diverter spout with 1/2" NPT or slip-fit connection.
- 7-3/16" (183 mm) spout reach.
- 1-1/8" (29 mm) max hole diameter.
- Coordinates with other products in the Avid collection.

#### Material

- Premium metal construction for durability and reliability.
- KOHLER finishes resist corrosion and tarnishing.

#### Installation

- Wall-mount.

#### Recommended Products/Accessories

K-23723 Faucet cleaner



#### Codes/Standards



ASME A112.18.1/CSA B125.1

#### KOHLER® Faucet Lifetime Limited Warranty

See website for detailed warranty information.

#### Available Colors/Finishes

*Color tiles intended for reference only.*

Color	Code	Description
	CP	Polished Chrome
	BN	Vibrant® Brushed Nickel

1-800-4KOHLER (1-800-456-4537)

Kohler Co. reserves the right to make revisions without notice to product specifications.

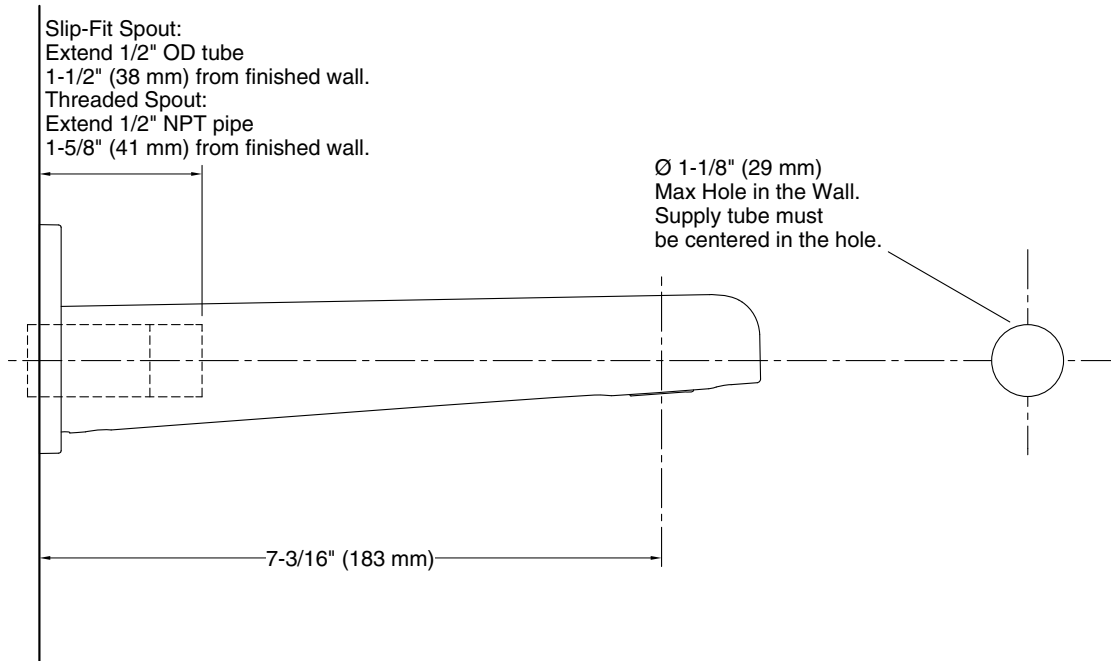
For the most current Specification Sheet, go to [www.kohler.com](http://www.kohler.com).

3-22-2020 08:59 - US/CA

THE BOLD LOOK  
OF **KOHLER®**

# KOHLER Faucets

## Avid™ Wall-mount bath spout K-97021



### Technical Information

All product dimensions are nominal.

Drain included: No

### Spout:

Spout reach: 7-3/16" (182 mm)

### Notes

Install this product according to the installation instructions.

1-800-4KOHLER (1-800-456-4537)

Kohler Co. reserves the right to make revisions without notice to product specifications.

For the most current Specification Sheet, go to [www.kohler.com](http://www.kohler.com).

3-22-2020 08:59 - US/CA

THE BOLD LOOK  
OF **KOHLER**®

PURITY SERIES BATH



60-INCH WIDE MODEL

**MB-S-6030** (Tile Flange, Full Apron)

Rough-In Dimensions	MB-S-6030	60" wide x 31-1/4" deep x 17-1/4" high (std model)
Finished Dimensions	MB-S-6030	60" wide x 30" deep x 16" high (std model)

**Unit Features**

- Sanitary Grade Polyester Gelcoat Surface
- 2" Dia. RH or LH Drain (see reverse side for location)
- 2-1/2" Dia. Overflow (see reverse side for location)
- Integral Tile Flange & Full Apron
- Pre-Leveled Block Base System
- Balsa Wood Core Floor Structure
- Textured Floor Pattern

**Special Notes**

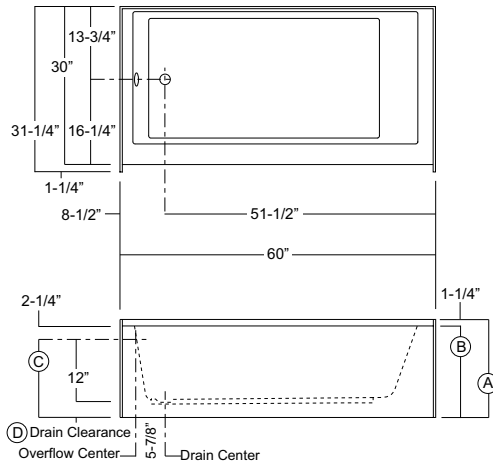
- Optional ABF Model (provides 3-inches of drain clearance)

**Unit / System Order Number**

Gelcoat: MB-S-6030 R/L (soaking tub)  
MB-S-6030 R/L ABF (soaking tub)

**Oasis**

PURITY SERIES



	Std Unit	ABF Unit
A	17-1/4"	18-1/2"
B	16"	17-1/4"
C	13-3/4"	15"
D	1-3/4"	3"
E	-	-
F	-	-

**MB-S-6030 ABF (illustrated)**

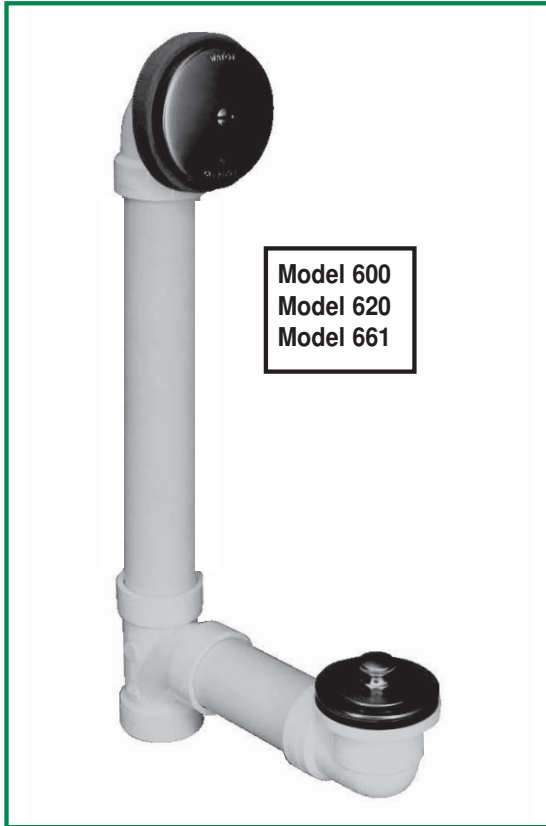
Sump Dimen: 47-1/2" long x 22-3/4" wide x 13" deep

Sump Capacity: 48 gal. (unoccupied - to overflow)

Whirlpool Operating: NA

Photographic images may include optional components and appear different than actual product.  
Dimensions shown are maximum. Due to the nature of the materials involved, actual unit dimensions can vary (tolerances: +/-1/8 inch)  
Oasis reserves the right to modify or discontinue product and/or associated equipment without prior written or verbal notification or obligation.

MBS6030.00.041320



## Schedule 40

### Model 600/601

Stoppers, Knobs, and Bodies determined by tub closure selected

### Model 620/621

ABS Plastic Stopper, Plastic Knob, Brass Body, Chrome PP only

### Model 661/651

ABS Plastic Stopper, Plastic Knob, Zinc Body, Chrome PP only

### Sturdy 1.5" Schedule 40 PVC or ABS Solvent-Weld Assembly

#### SPECIFICATIONS

##### FEATURES:

- 1.25" deep metal strainer body
- Theft-resistant stopper
- Designed for heavy-duty use in hotels, motels, and rental property
- Replaceable, drip-proof Buna-N-Seal

##### APPROVALS (600/601 models):

- Manufactured in compliance with ASME A112.18.2-2005/CSA B125.2-2005

##### PATENTS:

See <http://watcomfg.com/Watco/patents/> for details

##### THREADS (Strainer Body and Drain Elbow):

- 1 1/2" – 11 1/2 NPSM (Coarse Thread)
- 1.865" Major Diameter (outside thread diameter)
- 11.5 threads per inch

PIPING:  PVC  ABS

Not Shown: Half Kits (No Tee or Pipe)

**Model 601:** Stoppers, Knobs, Strainer Bodies determined by type of tub closure, i.e., Lift and Turn, etc.

**Model 621-PP:** ABS Stopper, Plastic Knob, Brass Strainer Body, Chrome PP only

**Model 651-PP:** ABS Stopper, Plastic Knob, Zinc Strainer Body, Chrome PP only



**ADA**

PRESFLO® (PF) and Foot Actuated (FA) only

See price list for complete item numbers and available options.

When ordering, please specify complete item number and any applicable option codes.



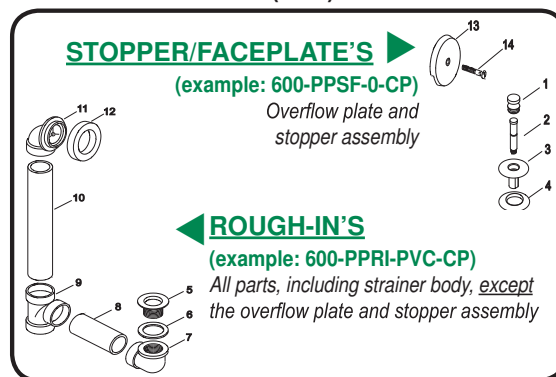
For More Information Contact:  
**WATCO Manufacturing Company**  
1220 South Powell Road  
Independence, MO 64057-2724  
Ph. 816-796-3900 • FAX 816-796-0875  
[www.watcomfg.com](http://www.watcomfg.com)

© 2009 WATCO Mfg. Co.

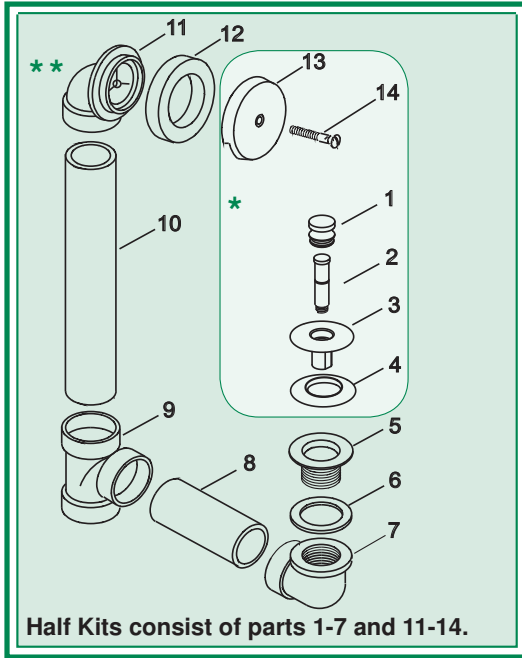
Designs and dimensions of product are subject to change without notice.

Form: 600 Rev. 9/09

#### ROUGH-IN (RI's) and STOPPER/FACEPLATE (SF's)



# 600/601 Series Parts List



Item	Part #	Description
1.	01010CP	PUSH PULL® Knob, Brass
2.	11510	Friction Ring (11505) and Post (11532)
3.	01013CP	Stopper, Brass
4.	11507	Seal, 1 1/16" dia.
5.	01016CP	Strainer Body, 1.865" - 11.5
6.	10696	Drain Ell Washer, 1.5" gray
7.	11008	Drain Ell, Schedule 40, ABS
	14008	Drain Ell, Schedule 40, PVC
8.	SCHABS-4.625	Pipe, Schedule 40, ABS, 1.5" x 4.625"
	SCHPVC-4.625	Pipe, Schedule 40, PVC, 1.5" x 4.625"
9.	14011	Sanitary Tee, Schedule 40, ABS
	14010	Sanitary Tee, Schedule 40, PVC
10.	SCHABS-11.75	Pipe, Schedule 40 ABS, 1.5" x 11.75"
	SCHPVC-11.75	Pipe, Schedule 40 PVC, 1.5" x 11.75"
11.	11009	Overflow Ell, 1-Hole, Schedule 40, ABS
	14009	Overflow Ell, 1-Hole, Schedule 40, PVC
12.	10675	Overflow Ell Washer, Foam
13.	01002CP	Overflow Plate, 1-Hole
14.	01024CP	Overflow Plate Screw, 2.25"

\* SF: (example: 600-PPSF) Parts #1 thru #4, #13 and #14

\*\* RI: (example: 600-PPRI) Parts #5 thru #12

## OPTIONAL TUB CLOSURES FOR 600/601-SERIES BATH WASTES (PUSH PULL® ALSO SHOWN ABOVE)

PUSH PULL® Coarse Thread	LIFT & TURN Coarse Thread	PRESFLO® Coarse Thread	FOOT ACTUATED Coarse Thread
1. 01010CP 01010 *	1. 01010CP 01010 *	1. 11145CP 11145 *	1. 38412CP 38412 *
2. 11510	2. 11079	2. 11132	2. 11492CP 01016 *
3. 01013CP 01013 *	3. 11088	3. 11060CP 11060 *	
4. 11507	4. 11290CP 01013 *	4. 96039: Suction Cup for removing stopper	
5. 01016CP 01016 *	5. 11507		
	6. 11492CP 01016 *		

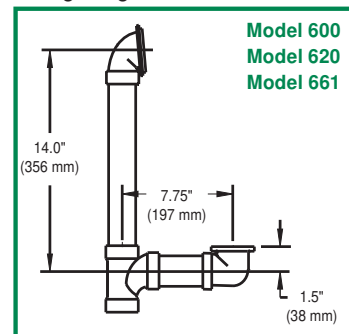
U.S. Pat. No. 4,720,877      U.S. Pat. No. 5,758,368      U.S. Pat. No. 4,457,030

\*If finish other than Chrome is desired, please use this part number and indicate desired finish.

## Finishes Available in the 600/601 Series:

	Tub Closures:	PUSH PULL®	LIFT & TURN	PRESFLO®	FOOT ACT.
621 PUSH PULL®	CP - Chrome Plated	•	•	•	•
	AB - Antique Brass	•	•	•	
	AP - Aged Pewter	•	•	•	
	BB - Brushed Bronze	•	•	•	
	BN - Brushed Nickel	•	•	•	•
	BO - Bone	•	•		
	BS - Biscuit	•	•		
	BZ - Oil-Rubbed Bronze	•	•	•	•
	CB - Chrome Brushed	•	•	•	
	NP - Nickel Polished	•	•	•	•
	PB - Polished Brass	•	•	•	•
	PN - Pearl Nickel	•	•	•	
	WH - White	•	•		
	WI - Wrought Iron	•	•	•	
651 PUSH PULL®					
	1. 11309CP				
	2. 11510				
	3. 11290CP				
	4. 11507				
	5. 11492CP				

## Roughing-In Dimensions



# KOHLER® Faucets

## Purist® Shower Arm and Flange K-933

### Features

- 1/2" - 14 NPT connection.
- Fluid design lines for ease of cleaning.
- For use with KOHLER showerheads (sold separately).

### Material

- Metal construction.



### Codes/Standards

ASME A112.18.1/CSA B125.1

### KOHLER® Faucet Lifetime Limited Warranty

See website for detailed warranty information.

### Available Colors/Finishes

*Color tiles intended for reference only.*

Color	Code	Description
	CP	Polished Chrome
	SN	Vibrant® Polished Nickel
	BN	Vibrant® Brushed Nickel
	BV	Vibrant® Brushed Bronze
	BL	Matte Black
	RGD	Vibrant Rose Gold

1-800-4KOHLER (1-800-456-4537)

Kohler Co. reserves the right to make revisions without notice to product specifications.

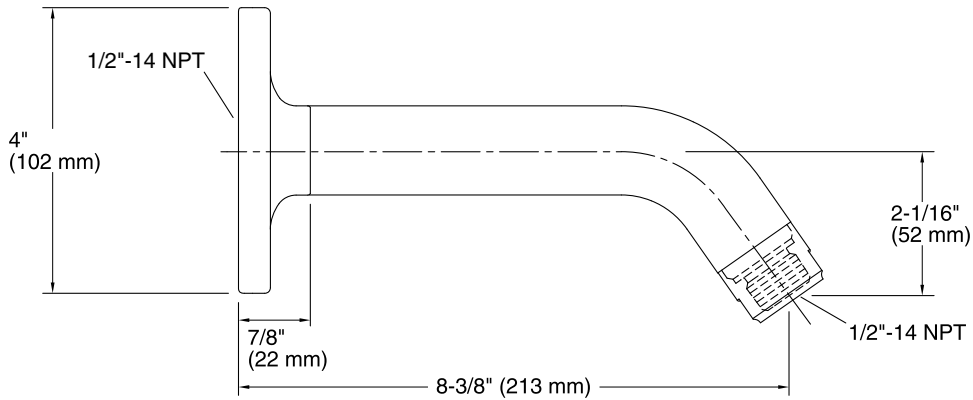
For the most current Specification Sheet, go to [www.kohler.com](http://www.kohler.com).

9-7-2019 14:56 - US/CA

THE BOLD LOOK  
OF **KOHLER®**

# KOHLER® Faucets

## Purist® Shower Arm and Flange K-933



### Technical Information

All product dimensions are nominal.

### Notes

Install this product according to the installation guide.

1-800-4KOHLER (1-800-456-4537)

Kohler Co. reserves the right to make revisions without notice to product specifications.

For the most current Specification Sheet, go to [www.kohler.com](http://www.kohler.com).

9-7-2019 14:56 - US/CA

THE BOLD LOOK  
OF **KOHLER**®

# KOHLER® Faucets

## 2-in-1 multifunction 2.5 gpm shower combo kit Purist® K-23219

### Features

- Multifunction showerhead and handshower each have advanced spray engines to provide three experiences: full coverage, pulsating massage, and silk spray
- Full coverage spray produces an encompassing spray ideal for everyday use
- Pulsating massage spray targets sore muscles to ease away aches and pains
- Silk spray releases a dense, luxurious spray ideal for rinsing
- Pause feature temporarily pauses water flow to conserve water while you lather, shave, or shampoo
- MasterClean™ sprayface features an easy-to-clean surface that withstands mineral buildup
- 2.5 gpm (9.5 lpm) maximum flow rate at 45 psi (3.1 bar)
- Box includes: Showerhead, handshower, and 60" (1524 mm) metal hose

### Material

- Premium material construction for durability and reliability
- KOHLER finishes resist corrosion and tarnishing

### Installation

- Shower arm and flange sold separately

### Included Components

Additional Components:  
60" metal hose



### Codes/Standards








ASME A112.18.1/CSA B125.1  
DOE - Energy Policy Act 1992

### KOHLER® Faucet Lifetime Limited Warranty

See website for detailed warranty information.

### Available Colors/Finishes

*Color tiles intended for reference only.*

Color	Code	Description
	CP	Polished Chrome
	SN	Vibrant® Polished Nickel
	BN	Vibrant® Brushed Nickel
	BV	Vibrant® Brushed Bronze
	BL	Matte Black
	2MB	Vibrant® Brushed Moderne Brass
	TT	Vibrant Titanium

1-800-4KOHLER (1-800-456-4537)

Kohler Co. reserves the right to make revisions without notice to product specifications.

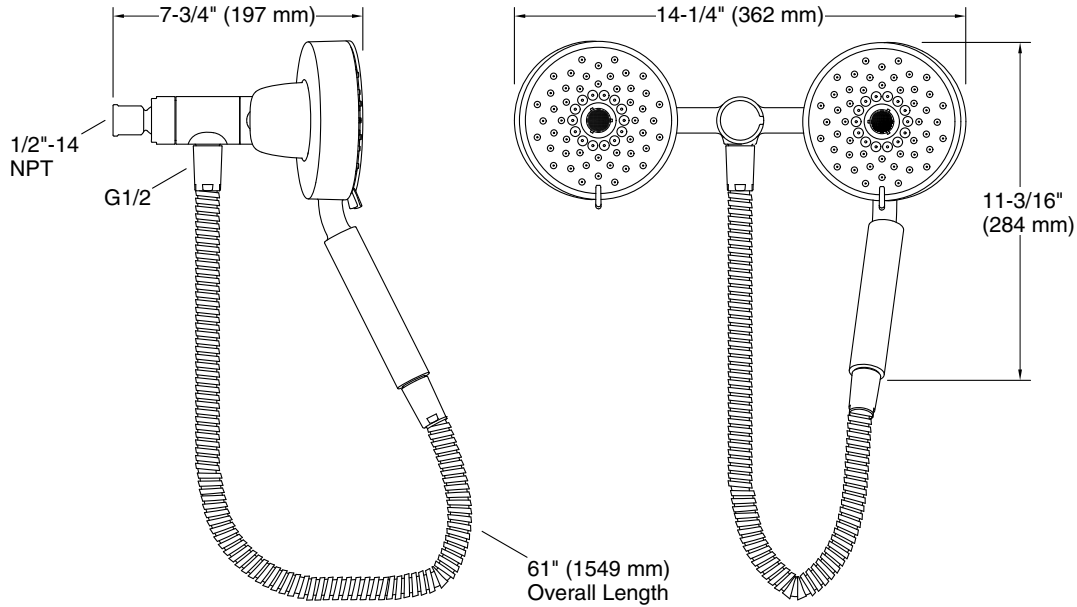
For the most current Specification Sheet, go to [www.kohler.com](http://www.kohler.com).

2-1-2023 11:38 - US/CA

THE BOLD LOOK  
OF **KOHLER**®

# KOHLER® Faucets

## Purist® 2-in-1 multifunction 2.5 gpm shower combo kit K-23219



### Technical Information

All product dimensions are nominal.

#### Showerhead/Body Spray:

Rated maximum flow: 2.5 gal/min (9.5 l/min)

Pressure: 45 psi (3.1 bar)

### Notes

Install this product according to the installation instructions.

1-800-4KOHLER (1-800-456-4537)

Kohler Co. reserves the right to make revisions without notice to product specifications.

For the most current Specification Sheet, go to [www.kohler.com](http://www.kohler.com).

2-1-2023 11:38 - US/CA

THE BOLD LOOK  
OF **KOHLER**®

# KOHLER® Faucets

## Avid® Rite-Temp® valve trim with lever handle K-TS97018-4

### Features

- Single handle controls both on/off activation and temperature settings.
- ADA-compliant ergonomic handle.
- Coordinates with other products in the Avid collection.

### Material

- Premium material construction with metal handle ensures reliability and durability.
- KOHLER finishes resist corrosion and tarnishing.

### Installation

- Wall-mount.

### Required Products/Accessories

- K-2971-KS 3/4" Pressure-balancing Valve
- or
- K-304-CS Pressure-balancing Valve With Stops
- or
- K-304-CX Pressure-balancing Valve Less Stops
- or
- K-304-K Pressure-balancing Valve Less Stops
- or
- K-304-KS Pressure-balancing Valve With Stops
- or
- K-304-PS Pressure-balancing Valve With Stops
- or
- K-304-PX Pressure-balancing Valve Less Steps
- or
- K-304-US Pressure-balancing Valve With Stops
- or
- K-304-UX Pressure-balancing Valve Less Stops
- or
- K-8304-K Valve Body & Cartridge Kit Complete
- or
- K-8304-KS Valve Body & Cartridge Kit Complete
- or
- K-8304-PS Valve Body & Cartridge Kit Complete
- or
- K-8304-PX Valve Body & Cartridge Kit Complete
- or
- K-8304-US Valve Body & Cartridge Kit Complete
- or
- K-8304-UX Valve Body & Cartridge Kit Complete
- or
- K-8300-K Valve Body Rough-In
- K-8305 Pressure Balance Cartridge
- or
- K-8300-KS Valve Body Rough-In
- K-8305 Pressure Balance Cartridge
- or
- K-8300-PX Valve Body Rough-In



ADA	CSA B651	OBC
-----	----------	-----

### Codes/Standards

ASME A112.18.1/CSA B125.1  
DOE - Energy Policy Act 1992  
ADA  
ICC/ANSI A117.1  
CSA B651  
OBC

### KOHLER® Faucet Lifetime Limited Warranty

See website for detailed warranty information.

### Available Colors/Finishes

*Color tiles intended for reference only.*

Color	Code	Description
	CP	Polished Chrome
	BN	Vibrant® Brushed Nickel
	BL	Matte Black

1-800-4KOHLER (1-800-456-4537)

Kohler Co. reserves the right to make revisions without notice to product specifications.

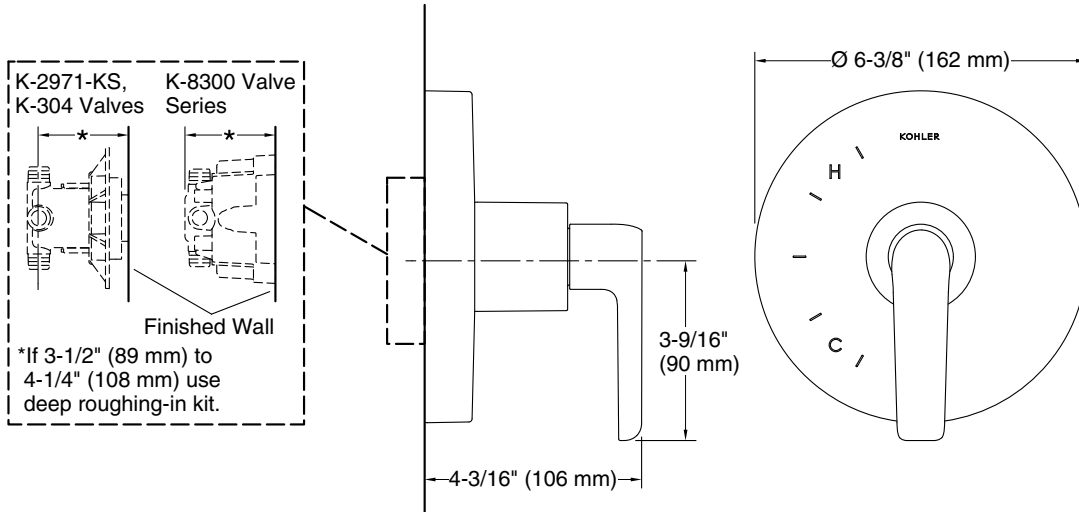
For the most current Specification Sheet, go to [www.kohler.com](http://www.kohler.com).

5-30-2021 02:33 - US/CA

THE BOLD LOOK  
OF **KOHLER**®

# KOHLER® Faucets

## Avid® Rite-Temp® valve trim with lever handle K-TS97018-4



### Technical Information

All product dimensions are nominal.

Drain included: No

### Handshower:

Rated maximum flow: 2.5 gal/min (9.5 l/min)

Pressure: 80 psi (5.5 bar)

### Showerhead/Body Spray:

Rated maximum flow: 2.5 gal/min (9.5 l/min)

Pressure: 80 psi (5.5 bar)

### Notes

Install this product according to the installation instructions.

NOTICE: Risk of product damage. Long screws, for installing trim, can damage the K-2971-KS valve. Consult the trim installation guide to verify if the thin wall installation kit is needed.

ADA, OBC, CSA B651 compliant when installed to the specific requirements of these regulations.

1-800-4KOHLER (1-800-456-4537)

Kohler Co. reserves the right to make revisions without notice to product specifications.

For the most current Specification Sheet, go to [www.kohler.com](http://www.kohler.com).

5-30-2021 02:33 - US/CA

THE BOLD LOOK  
OF **KOHLER**®

## KOHLER® Faucets

## Rite-Temp® Valve Body & Cartridge Kit Complete K-8304-K

### Features

- Includes valve body, pressure balance cartridge, rough-in guide and mud guard
- 1/2" Universal NPT & direct sweat inlets & outlets
- 5.0 gpm (18.9 l/min) maximum flow rate at 45 psi
- Single lever design cycles from off through cold to hot
- Provides temperature regulation and automatic anti-scald protection
- One piece cartridge design simplifies installation and maintenance
- Adjustable high temperature limit stop to control maximum water temperature
- Requires valve trim to complete installation (sold separately).

### Material

- Forged De-zincification Resistant Brass body provides long term reliability and resistance to aggressive water conditions

### Technology

- Pressure-balancing diaphragm technology maintains outlet temperature within +/- 3 degrees Fahrenheit during water pressure fluctuations

### Installation

- Designed for use in standard, back to back and thin wall installations
- Valve body features integral mounting locations and symmetrical valve inlets to simplify installation
- Cartridge is reversible for installations where hot and cold supplies are reversed.
- Rough-in guide designed for both standard and thin wall installations
- Installed valve rough-in can be flushed and pressure tested to 150psi max (air or water) without cartridge, using K-10351 Test Cap

### Optional Products/Accessories

- K-10350 Deep Rough-In Kit For K-8305 Cartridges
- K-10351 Test Cap For K-8300 Series Valve Bodies



### Codes/Standards

- ASME A112.18.1/CSA B125.1
- ASSE 1016/ASME A112.1016/CSA B125.16

### KOHLER® Faucet Lifetime Limited Warranty

See website for detailed warranty information.

1-800-4KOHLER (1-800-456-4537)

Kohler Co. reserves the right to make revisions without notice to product specifications.

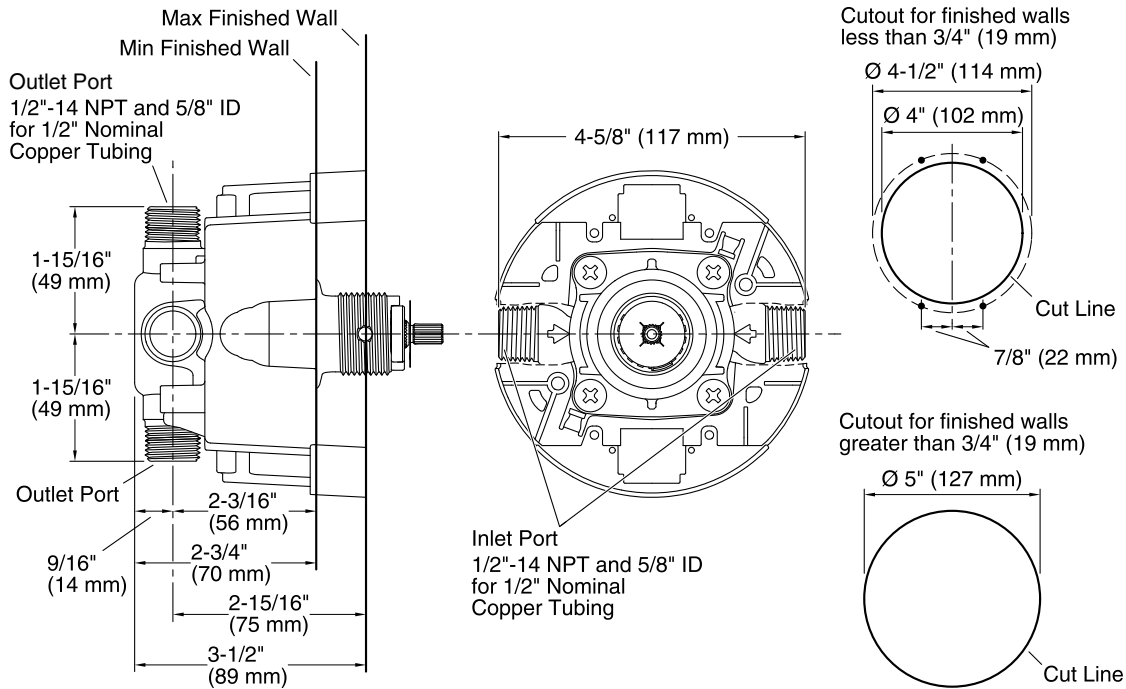
For the most current Specification Sheet, go to [www.kohler.com](http://www.kohler.com).

1-31-2019 17:21 - US/CA/MX

THE BOLD LOOK  
OF **KOHLER**®

# KOHLER® Faucets

## Rite-Temp® Valve Body & Cartridge Kit Complete K-8304-K



### Technical Information

All product dimensions are nominal.

#### Shower Valve:

Min. pressure IN: 20 psi (1.4 bar)  
Valve body: Machined-brass

### Notes

- Install this product according to the installation guide.
- Avoid cross-flow conditions. Do not install shut-off device on either valve outlet.
- Cap the shower outlet if deck-mount spout, diverter, or handshower is connected to the spout outlet.
- Install straight pipe or tube drop of 7" (178 mm) to 18" (457 mm) with single elbow between the valve and wall-mount spout.
- For finished walls greater than 3/4" (19 mm) and less than 1-1/2" (38 mm), install support(s) 2" (51 mm) from the stud face.
- For finished walls greater than 1-1/2" (38 mm), install support(s) 3" (76 mm) from the face of the finished wall.

1-800-4KOHLER (1-800-456-4537)

Kohler Co. reserves the right to make revisions without notice to product specifications.

For the most current Specification Sheet, go to [www.kohler.com](http://www.kohler.com).

1-31-2019 17:21 - US/CA/MX

THE BOLD LOOK  
OF **KOHLER**®