



IRRIGATION REFERENCE GUIDE

Life Happens Outside

Sales & Management Headquarters
13030 W 87th St. Pkwy
Lenexa, KS 66215

(913) 888-2400



Irrigation Reference Guide

| | |
|------------------------------------|-----|
| Controller Timers..... | 3-4 |
| Rain/Freeze Sensor..... | 5 |
| Control Valves..... | 6 |
| Spray Heads..... | 7 |
| Rotor Heads..... | 8-9 |
| Drip Irrigation..... | 10 |
| Irrigation Add-on Accessories..... | 11 |

Controller Timers - Basic



Rain Bird ESP-TM2 Tract Model 2nd Generation

Simple, flexible, reliable

The ESP-TM2 irrigation controller is the perfect option for basic residential solutions. Building upon Rain Bird's legacy of The Intelligent Use of Water®, this controller features simple water saving features that you will actually use. With the flexibility of 3 programs and 4 start times available per program, you can tailor your watering schedule to your landscape's needs. The ESP-TM2 provides the Extra Simple Programming interface you are familiar with in a controller that is built to last!



WiFi Ready!

Compatible with the NEW Rain Bird LNK WiFi Module! Simply plug the LNK WiFi Module into the ESP-TM2 accessory port, download the Rain Bird mobile app, and gain access to your irrigation system from anywhere in the world!

80 Years of Experience

Rain Bird's stellar reputation of providing high quality irrigation products for over 80 years delivers again with the ESP-TM2, carrying a 3 year trade warranty.

Simple to Program

The ESP-TM2 is simple to program and use with Rain Bird's Extra Simple Programming. Easily customize your schedule to keep your landscapes lush!

Controller Timers - Advanced with Flow Sensing

Rain Bird ESP-ME3 Modular Controller

Advanced Residential Irrigation Control with flow sensing capability.

- our standard
- requires master valve and flow sensor upgrades

Advanced Residential Irrigation Control

The ESP-ME3 builds on the station modularity and easy programming of the ESP-Me WiFi ready controller and adds flow sensor compatibility for accessible, reliable system control.



Powerful Accessories

Smart weather adjustments and flow monitoring available through the LNK™ WiFi module and a wired flow sensor.

Simple to Use

Reduced dial positions and a back-lit screen make programming at the controller easy to understand and explain.

Flexible Installation

Indoor or outdoor use and expandable up to 22 stations.

Rain / Freeze Sensor

Rain Bird WR2 Wireless Rain/Freeze Sensor

Wireless rain sensor shuts off irrigation when it rains and freeze sensor shuts off irrigation when temperature drops below set point. Helps to save up to 35% on water usage. Intuitive, icon-driven interface for easy programming. - Included with all basic systems!



Control Valves

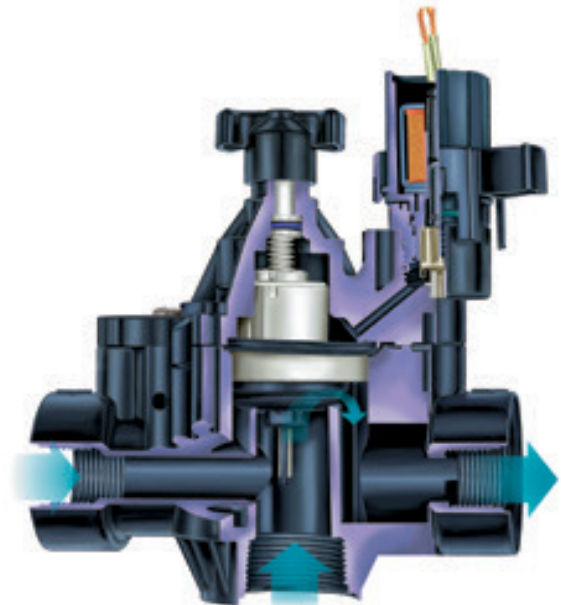
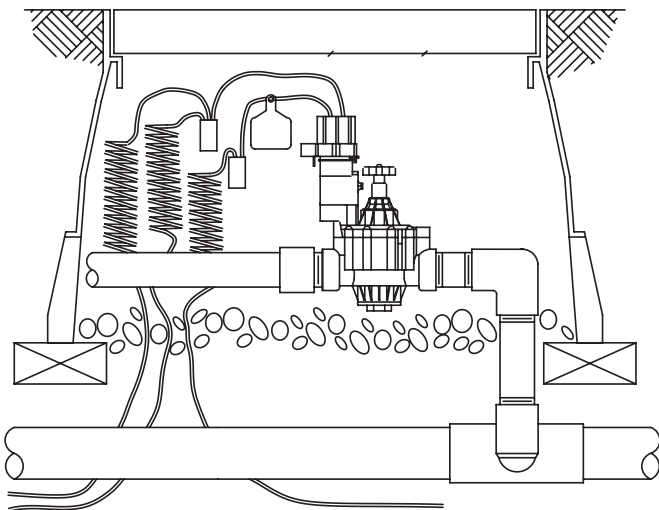
Rain Bird PGA Series Solenoid Control Valves

Versatility at an affordable price.

Whether the job calls for a globe or angle valve, PGA Series valves are the right choice. Loaded with features, these heavy-duty PVC valves are economical, easy to install and built to withstand constant 150 psi (10.35 bar) pressure and 2 to 150 gpm (0.45 to 34.05 m³/h; 7.8 to 568 l/m) flows. The PGA Series from Rain Bird – built to last...and last!

Features

- Globe and angle configuration for flexibility in design and installation
- PVC and glass reinforced nylon construction
- Filtered pilot flow to resist debris and clogging of solenoid ports
- Slow closing to prevent water hammer and subsequent system damage
- Manual internal bleed operates the valve without allowing water into the valve box
- One-piece solenoid design with captured plunger and spring for easy servicing
- Prevents loss of parts during field service
- Non-rising flow control handle adjusts water flows as needed
- Normally closed, forward flow design



Spray Heads - 4' to 18' Spacing

Rain Bird 1800 Series Spray Heads

Unmatched Reliability

Constructed of time-proven UV-resistant plastic and corrosion resistant stainless steel parts, assuring long product life.

Maximum Compatability

Designed for use with all Rain Bird spray head nozzles including Rotary, R-VAN, U-Series, MPR, HE-VAN, VAN, and SQ Series nozzles.

Water Saving Features

Available options like a Seal-A-Matic™ (SAM) check valve and a patented PRS in-stem pressure regulator increase efficiency by eliminating wasted water.

The #1 irrigation spray head in the world



Sizes for Every Application

- 2", 4", 6" and 12" pop-up heights for varying turf or landscape heights.
- 1802 model for tough soil where digging is difficult.
- Side and bottom inlets on 1806 and 1812 models permit less digging while still reaching over tall landscapes.



Installed in parks and backyards across the globe, Rain Bird's 1800 Series is the #1 irrigation spray head brand in the world.

Chosen for its reliability, heavy-duty materials and versatility, the 1800 Series has first-rate quality built in for reliable operation and long life. Their superior components and features make them the spray heads of choice for a wide variety of applications.

Also available with a Seal-A-Matic™ (SAM) check valve option and a patented PRS in-stem pressure regulating option.

Rotor Head - 15' to 25' Spacing

Rain Bird 3500 Series Rotor

Compact Residential Rotor Big on Value and Convenience



Relax with the knowledge your landscape is being watered by reliable 3500 series rotors and industry-leading Rain Curtain nozzle technology.

3500 series rotors are engineered to deliver a uniform spray pattern, giving you superior distribution uniformity and a consistently green lawn with less water.

The larger water droplets produced by Rain Curtain technology prevent misting and airborne evaporation so the right amount of water is delivered to the right place, saving you water and money.

Gentle close-in watering eliminates dry spots around the rotor, prevents seed washout and allows the turf to grow healthy with no matting or bending.



Rain Curtain™ Nozzles

Large water droplets and gentle close-in watering ensure efficient coverage and green grass.

Durable Leak-Free Seal

An oversized seal prevents puddling and guarantees consistent pop-up and retraction for years.

Proven Performance and Reliability

A 13 year history of proven performance and reliability tested in millions of installations.

Rotor Head - 25' to 35' Spacing

Rain Bird 5000 Series Rotor

Engineered to be the Industry's Most Reliable and Best Performing Rotor



Relax with the knowledge your landscape is being watered by reliable 5000 series rotors and industry-leading Rain Curtain nozzle technology.

5000 series rotors are engineered to deliver a uniform spray pattern, giving you superior distribution uniformity and a consistently green lawn with less water.

The larger water droplets produced by Rain Curtain technology prevent misting and airborne evaporation so the right amount of water is delivered to the right place, saving you water and money.

Gentle close-in watering eliminates dry spots around the rotor, prevents seed washout and allows the turf to grow healthy with no matting or bending.



Rain Curtain™ Nozzles

Large water droplets and gentle close-in watering ensure efficient coverage and green grass.

Durable Leak-Free Seal

An oversized seal prevents puddling and guarantees consistent pop-up and retraction for years.

Proven Performance and Reliability

A 14 year history of proven performance and reliability tested in millions of installations.

Rain Bird XCZ Drip Valve Kit

Rain Bird's Xerigation Control Zone Kits (XCZ) provide a complete and easy to install package that will properly deliver water to the drip irrigation system. Rain Bird's XCZ kits contain all three essential components to ensure the drip install operates at its optimal performance for years to come. The control zone kit contains three major components: the valve, filter, and pressure regulator. Each component performs an important function on supplying the proper water conditions for the drip irrigation system.



Valve

- Decades of proven performance for peace of mind
- Commercial or Residential
- Low, medium, and high flow rates
- Low flow without weeping

Filter

- Prevents sediments and impurities from entering the drip system
- Extends the life of the drip system for years to come

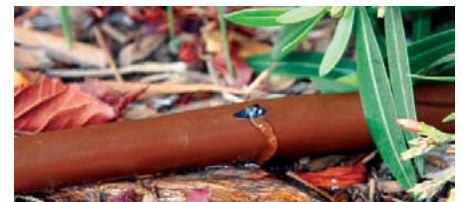
Pressure Regulator

- Pressure Regulation ensures constant outlet pressure for proper operation
- Pressure regulator built into the filter to minimize size



Rain Bird XFD Series Dripline

- Installs easier and quicker
- Increased flexibility
- Doesn't "recoil" during layout
- Offers greater design flexibility
- Can be used in tight and problematic spaces
- UV and algae resistant
- Specialized products for surface, slopes, and subsurface
- Provides greater reliability
- Pressure compensating
- Kink-resistant
- Grit-tolerant emitter

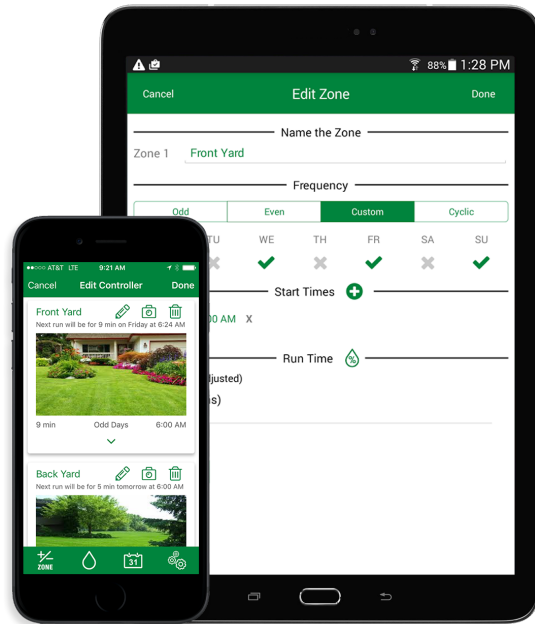


Irrigation Add On Accessories - (Additional Cost)

Optional Rain Bird LNK WiFi Module

The Rain Bird LNK WiFi Module allows easy access and control of a Rain Bird irrigation system from anywhere in the world. With the LNK WiFi Module and Rain Bird's FREE mobile app, you get access to off-site management, real-time alerts and advanced water management tools via your smart phone or tablet.

-Requires Owner supplied WiFi Internet with sufficient signal connectivity to allow proper operation.



Optional PRS In-Stem Pressure Regulation For Spray and Rotor Heads

- Reduces water consumption by up to 50%.
- Eliminates wasted water from misting and fogging caused by high pressure.
- Maintains optimized outlet pressure, ensuring consistent nozzle performance, even with varying inlet pressures.

Optional SAM Check Valves For Spray and Rotor Heads

- Saves water by eliminating low head drainage at the base of slopes or hillsides.
- Reduces wear on system components by minimizing water hammer during start-up.
- Ends landscape damage due to flooding and/or erosion.
- Does require winterization blow-out by compressed air. Will not work with a manual drain winterization type system.

Optional Master Valve and Flow Sensor

- Requires the Advanced Controller Upgrade (Rain Bird ESP-ME3).
- Allows leak detection and control.
- Provides Additional Scheduling, Monitoring and Control Options.