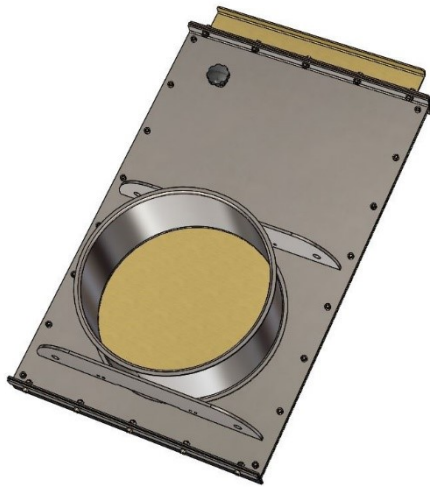


MANUAL SERIE



Manual heavy series guillotine dampers offer a simple and efficient solution for access control and security.

Their main advantage lies in ease of use and reliability, without dependence on external energy sources.

Users can manually manage opening and closing, ensuring precise and fast control.

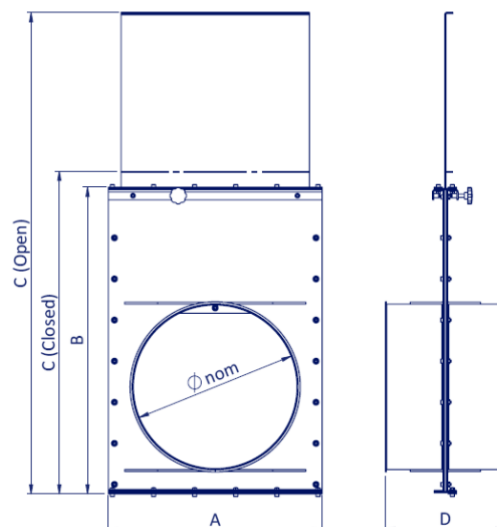
These shutters are particularly useful in situations where electricity is not easily accessible or in environments with specific safety requirements that require manual intervention.

The dampers are supplied standard with edges. They are also recommended for material passage systems with high depressions.

TECHNICAL DATA

- Available sizes: Ø80 ÷ Ø1000
- Maximum speed of air: 35 m/s
- Maximum working depression: 500 mmH₂O
- Working temperature: -20°C ÷ 80°C

DIMENSIONS



Ø [mm]	Mass [kg]	A [mm]	B [mm]	C [mm]	D [mm]	Body Thickness [mm]	Diaphragm Thickness [mm]
-----------	--------------	-----------	-----------	-----------	-----------	---------------------------	--------------------------------

80	4	220	252	351	105	3,0	3,0
100	5	220	252	371	105	3,0	3,0
120	6	270	352	491	105	3,0	3,0
140	7	270	352	520	105	3,0	3,0
150	8	270	352	520	105	3,0	3,0
160	9	270	352	525	105	3,0	3,0
180	10	320	452	660	105	3,0	3,0
200	11	320	452	670	105	3,0	3,0
220	13	370	452	690	105	3,0	3,0
240	15	370	452	695	105	3,0	3,0
250	16	370	452	700	105	3,0	3,0
260	17	370	452	705	105	3,0	3,0
280	18	420	647	800	105	3,0	3,0
300	19	420	647	840	105	3,0	3,0
350	26	470	747	1120	285	3,0	3,0
400	30	520	747	1165	285	3,0	3,0
450	35	570	847	1320	285	3,0	3,0
500	42	620	847	1366	285	3,0	3,0
550	50	670	947	1515	285	3,0	3,0
600	58	720	947	1570	285	3,0	3,0
650	64	776	1047	1715	285	3,0	3,0
700	70	826	1047	1765	285	3,0	3,0
750	76	876	1147	1920	285	3,0	3,0
800	82	926	1147	1960	285	3,0	3,0
850	89	976	1247	2120	285	3,0	3,0
900	95	1026	1247	2160	285	3,0	3,0
950	105	1076	1347	2320	285	3,0	3,0
1000	113	1120	1347	2370	285	3,0	3,0
1100	115	1226	1450	2560	285	3,0	3,0
1200	130	1326	1546	2765	285	3,0	3,0
1250	143	1376	1646	2915	285	3,0	3,0

CHARACTERISTICS ON REQUEST

- ⊙ ATEX Version: Brass diaphragm and equipped with screw for grounding
- ⊙ Other materials: Stainless Steel AISI 304 or AISI 316
- ⊙ Other edges: smooth edges
- ⊙ Additional equipment: Smooth flanges or Pressed flanges