



EV CHARGER MOUNTING SOLUTIONS

INSTALLATION MANUAL

Dual Cable Retraction Pedestal

MODEL: CO-1025

WATTZUP.CA



Index

PACKAGE CONTENTS

Dual Cable Retraction Pedestal	3
--------------------------------	---

PRODUCT INTRODUCTION

CO-1025 Pedestal Measurements	4
Universal Charger Mounting Plate Specifications	6
Base Plate Specifications	7
CO-1025 Pedestal Overview	8

INSTALLATION

Safety Information	11
General Reference	12
EV Pedestal Installation	
Parking Configurations	13
A - Mounting base plate	14
B - Attaching the pedestal to the base plate	15
C1 - Attaching the mounting plates & access door	16
C2 - Attaching the Optional WU-1005 Housing	17

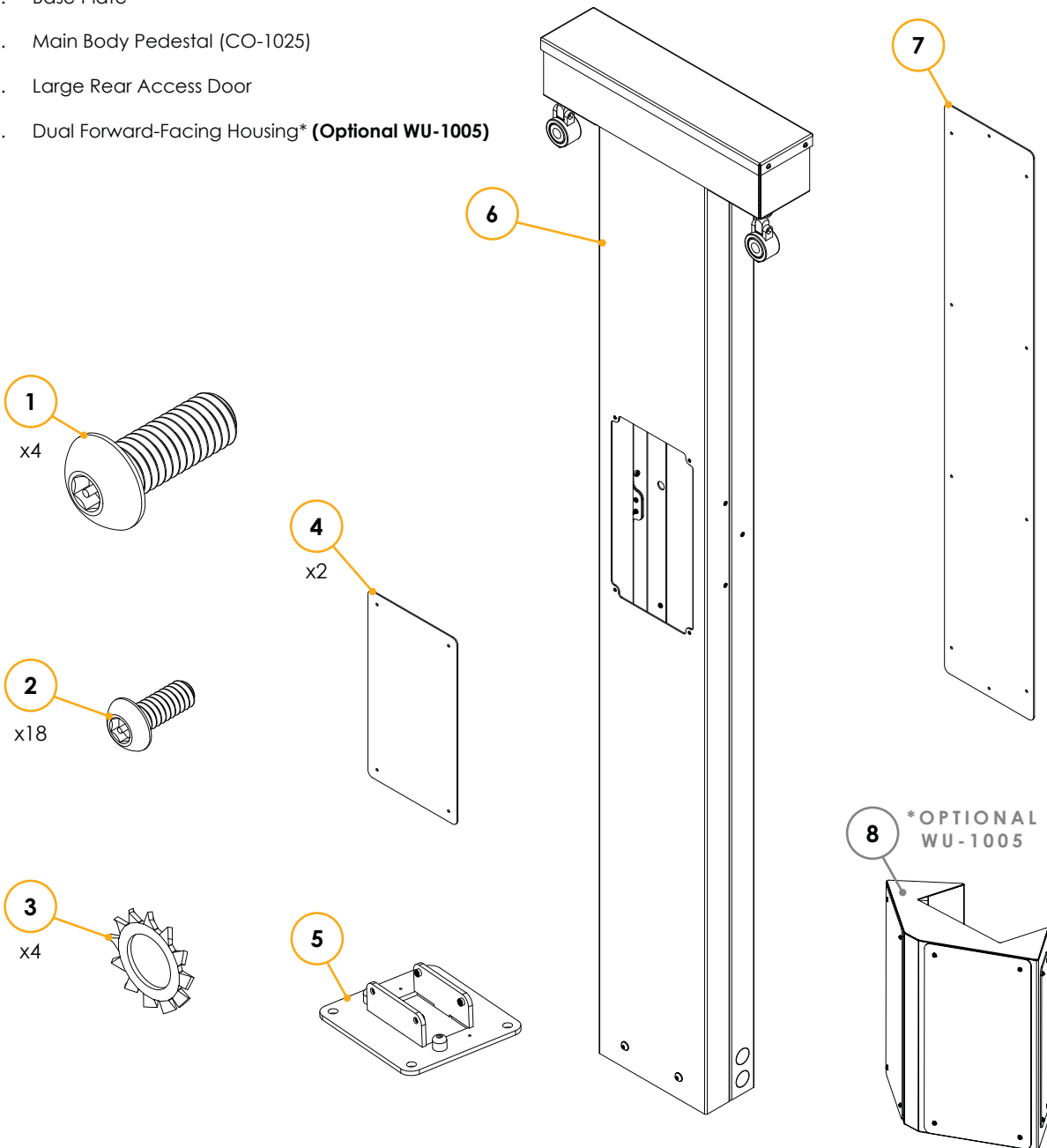
PRODUCT WARRANTY

Warranty Terms and Conditions	18
-------------------------------	----

Dual Cable Retraction Pedestal

PACKAGE CONTENTS

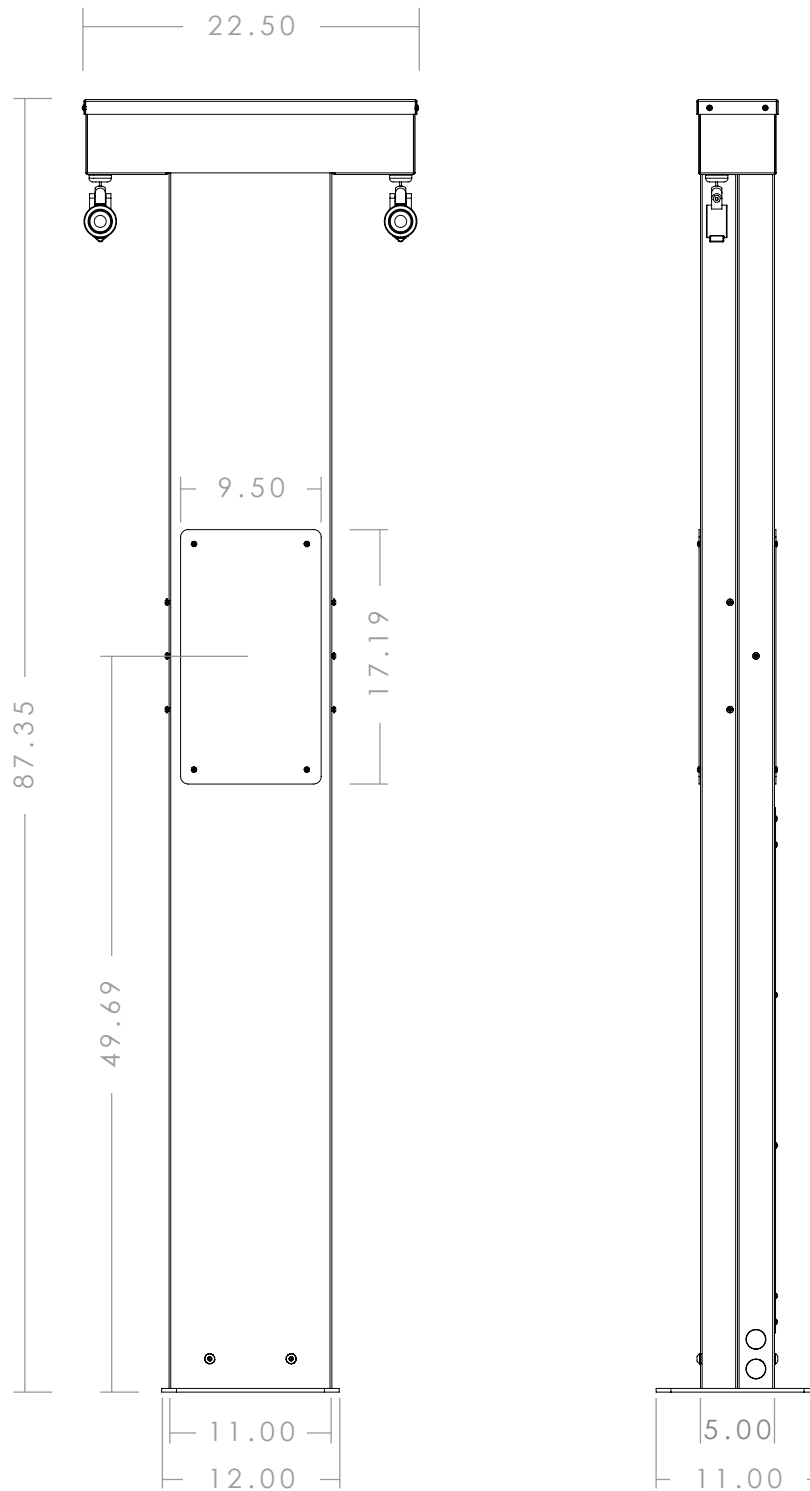
1. Machine Screw **3/8 - 16 x 1"** Button Head, Tamper Proof (Torx), BO Stainless Steel (**x4**)
2. Machine Screw **10 - 32 x 3/8"** Button Head, Tamper Proof (Torx), BO Stainless Steel (**x18**)
3. External Tooth **Lock Washer 3/8"**, BO Stainless Steel (**x4**)
4. EV Charger Mounting Plate (**x2**)
5. Base Plate
6. Main Body Pedestal (CO-1025)
7. Large Rear Access Door
8. Dual Forward-Facing Housing* (**Optional WU-1005**)



CO-1025 Pedestal Measurements

Standard Configuration - Front/Back Charger

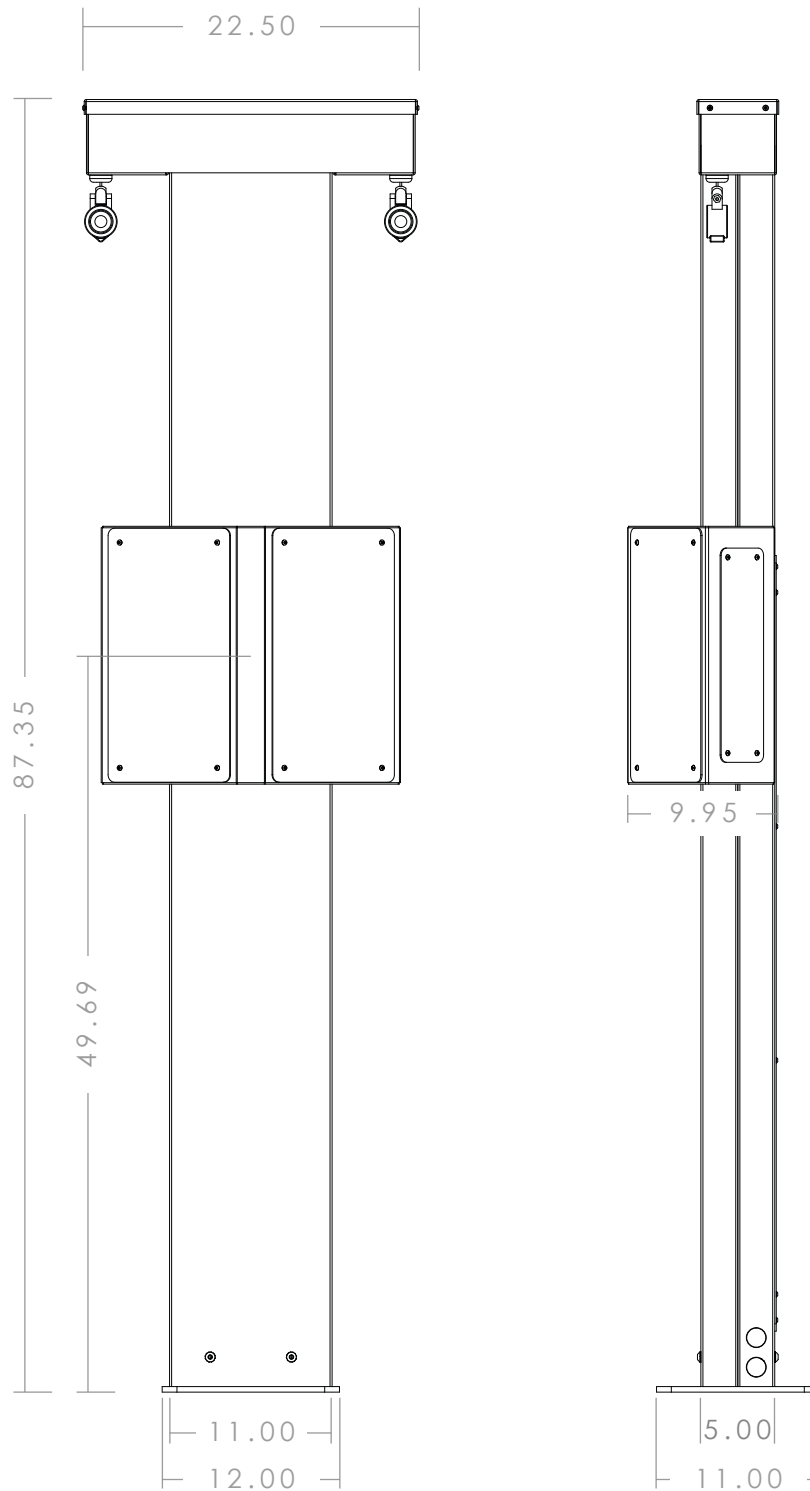
PRODUCT INTRODUCTION



CO-1025 Pedestal Measurements

Optional Configuration - Dual Forward-Facing Housing (WU-1005)

PRODUCT INTRODUCTION

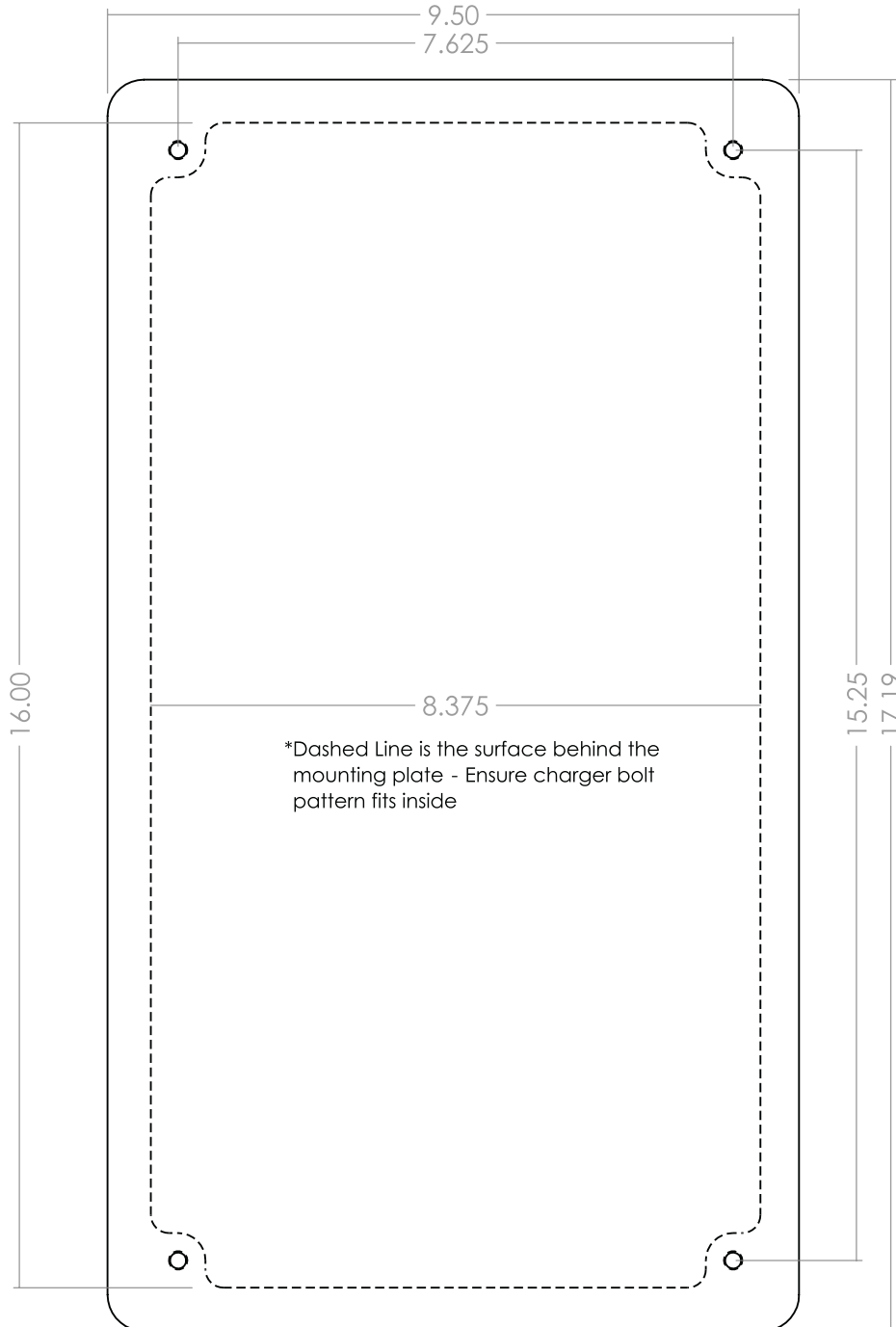


Universal Charger Mounting Plate

Specifications

PRODUCT INTRODUCTION

* Manufactured from high-grade 5052 series aluminum and industrial powder coated.

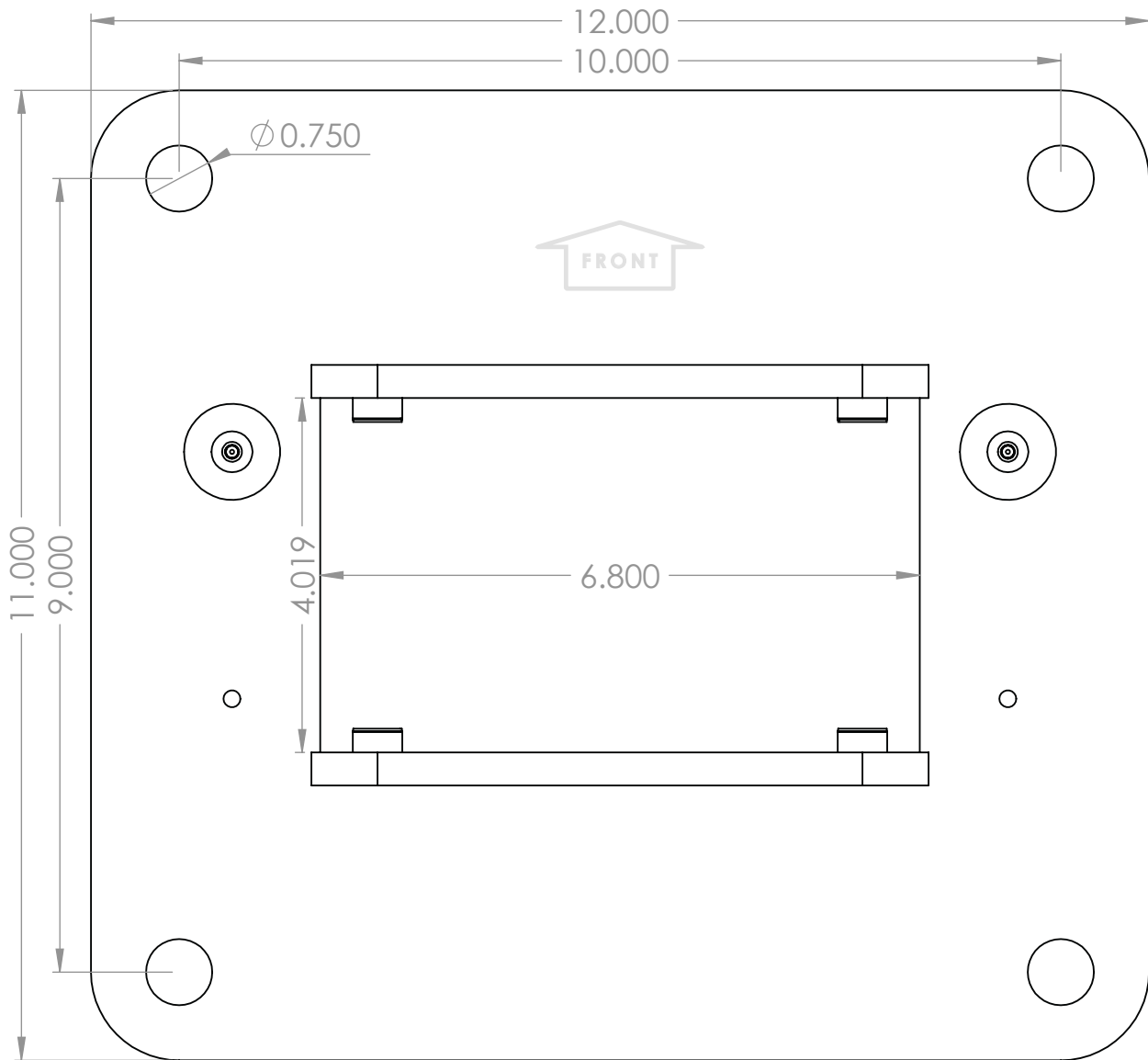


Base Plate

Specifications

PRODUCT INTRODUCTION

* Manufactured from high-grade 5052 series aluminum and industrial powder coated.



CO-1025 Pedestal Overview

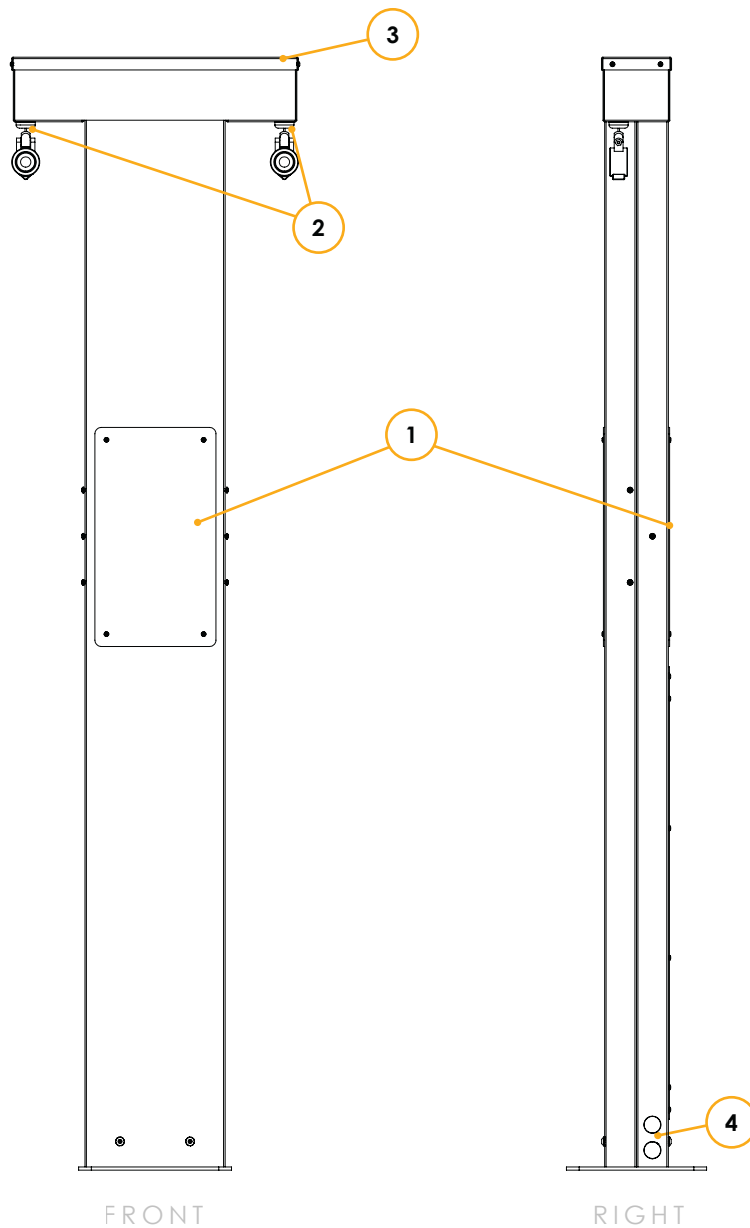
Standard Configuration - Front/Back Charger

PRODUCT INTRODUCTION

*All hardware provided are tamper-resistant button head stainless steel torx screws.

* Manufactured from high-grade 5052 series aluminum and industrial powder coated.

1. EV Charger Mounting Plate (x2)
2. Cable Retraction Pulleys
3. Cable Retraction Access Cover
4. 1.35" dia. Conduit Knockouts (for retrofit installs)



CO-1025 Pedestal Overview

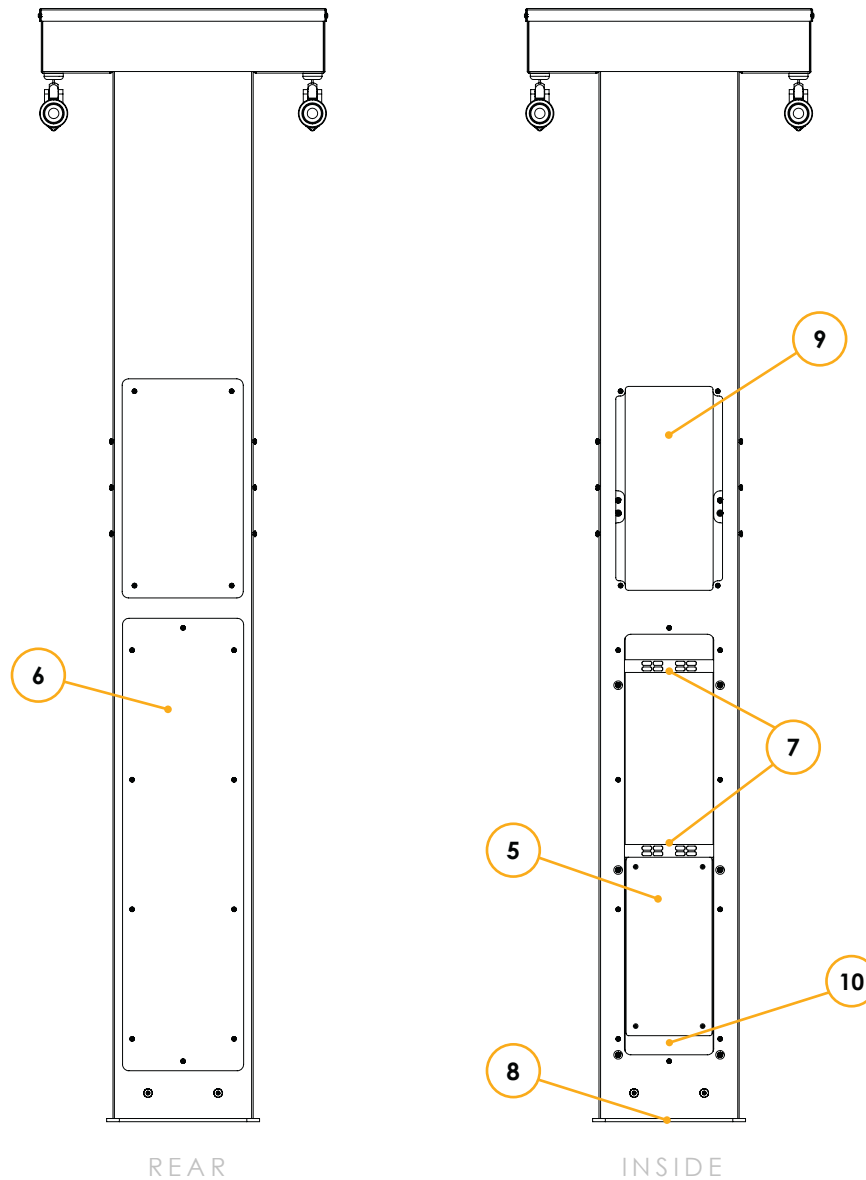
Standard Configuration - Front/Back Charger

PRODUCT INTRODUCTION

*All hardware provided are tamper-resistant button head stainless steel torx screws.

* Manufactured from high-grade 5052 series aluminum and industrial powder coated.

5. Electrical Mounting Plate (x1)
6. Large Rear Access Panel
7. Cable Management Bracket (x2)
8. 4" x 9" Opening for Bottom Conduit Infeed
9. Access to Rear of EV Charger
10. Ground Stud



CO-1025 Pedestal Overview

Optional Configuration - Dual Forward-Facing Housing (WU-1005)

PRODUCT INTRODUCTION

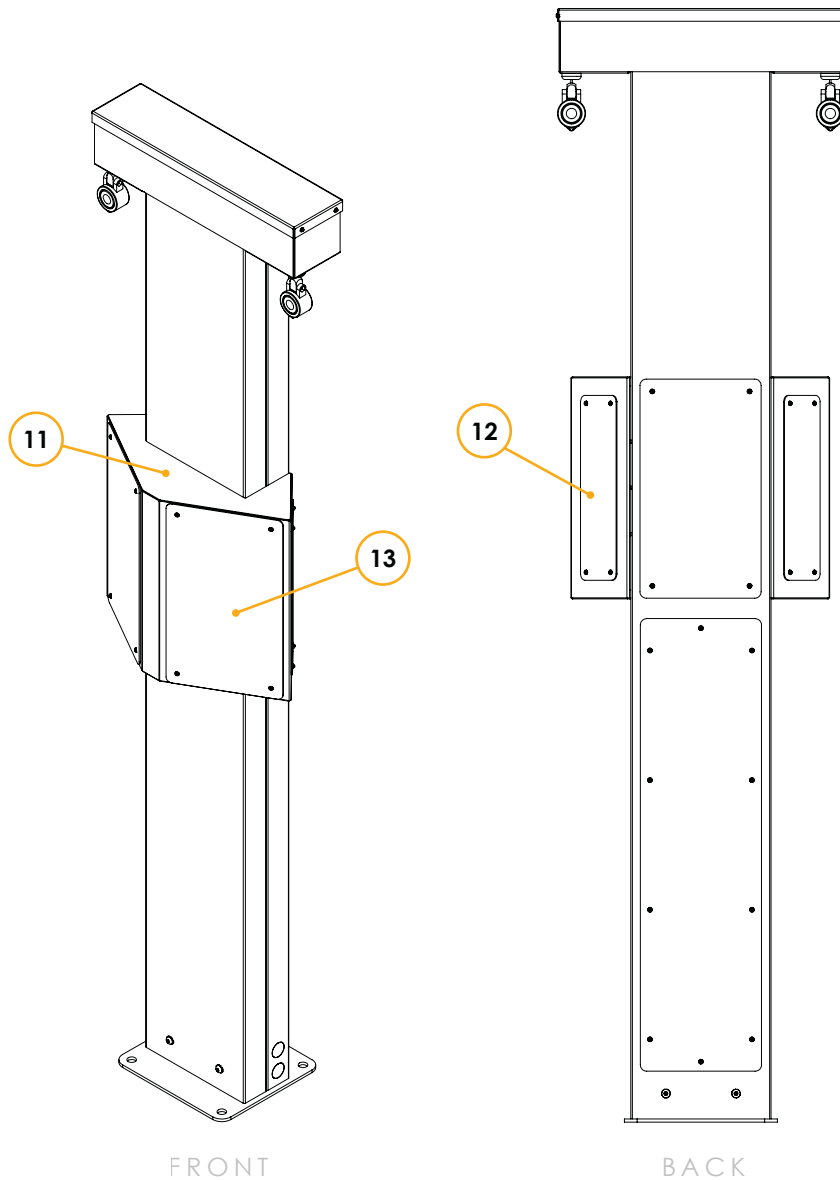
*All hardware provided are tamper-resistant button head stainless steel torx screws.

* Manufactured from high-grade 5052 series aluminum and industrial powder coated.

11. Dual Forward-Facing Housing* (**Optional WU-1005**)

12. Small Access Panel (x2)

13. EV Charger Mounting Plate (x2)



Safety Information

DANGER

FAILURE TO FOLLOW THESE INSTRUCTIONS COULD RESULT IN DEATH, PERSONAL INJURY, OR PROPERTY DAMAGE. CIRCUIT BREAKERS MUST BE INSTALLED AND SERVICED BY A QUALIFIED ELECTRICIAN. REMOVE ALL POWER SOURCES TO THE PANEL BEFORE STARTING INSTALLATION OR MAINTENANCE.

WARNING

THIS EQUIPMENT SHOULD BE INSTALLED, ADJUSTED, AND SERVICED BY QUALIFIED ELECTRICAL PERSONNEL FAMILIAR WITH THE CONSTRUCTION AND OPERATION OF THIS TYPE OF EQUIPMENT AND THE HAZARDS INVOLVED. FAILURE TO OBSERVE THIS PRECAUTION COULD RESULT IN DEATH OR SEVERE INJURY.

READ THIS MANUAL THOROUGHLY AND MAKE SURE YOU UNDERSTAND THE PROCEDURES BEFORE YOU ATTEMPT TO OPERATE THIS EQUIPMENT. THE PURPOSE OF THIS MANUAL IS TO PROVIDE YOU WITH INFORMATION NECESSARY TO SAFELY OPERATE, MAINTAIN, AND TROUBLESHOOT THIS EQUIPMENT. KEEP THIS MANUAL FOR FUTURE REFERENCE.

DO NOT USE THIS PRODUCT IF THE EV CONNECTOR CORD IS FRAYED, HAS DAMAGED INSULATION, OR HAS ANY OTHER INDICATION OF DAMAGE.

DO NOT USE THIS PRODUCT IF THE EV SMART BREAKER CHARGER, THE EV CONNECTOR, OR THE LOADCENTER IS BROKEN, CRACKED, OPEN, OR SHOWS ANY OTHER INDICATION OF DAMAGE.

INTENDED FOR USE WITH PLUG-IN ELECTRIC VEHICLES ONLY. PREMISE VENTILATION NOT REQUIRED.

THIS DEVICE SHOULD BE SUPERVISED WHEN USED AROUND CHILDREN.

WARNING

TURN OFF OR DISCONNECT THE POWER SUPPLYING THIS EQUIPMENT BEFORE BEGINNING WORK. THIS MAY REQUIRE THAT YOU CONTACT YOUR ELECTRIC UTILITY TO DISCONNECT POWER TO AN EXISTING LOADCENTER. THE LINE SIDE OF THE MAIN BREAKER IS ENERGIZED UNLESS POWER IS DISCONNECTED UPSTREAM. EATON WILL NOT ASSUME RESPONSIBILITY FOR PROPERTY DAMAGE OR PERSONAL INJURY RESULTING FROM MISUSE OF THE INFORMATION IN THIS PUBLICATION.

NOTICE

INSTALL EQUIPMENT IN CONFORMANCE WITH CODES.

GROUNDING INSTRUCTIONS

WARNING

IMPROPER CONNECTION OF THE EQUIPMENT-GROUNDING CONDUCTOR IS ABLE TO RESULT IN A RISK OF ELECTRIC SHOCK. CHECK WITH A QUALIFIED ELECTRICIAN OR SERVICEMAN IF YOU ARE IN DOUBT AS TO WHETHER THE PRODUCT IS PROPERLY GROUNDED.

For a permanently connected product.

This product must be connected to a grounded, metal, permanent wiring system, or an equipment-grounding conductor must be run with the circuit conductors and connected to the equipment grounding terminal or lead on the product.

REFERENCE THE QR CODE ON THE EV PEDESTAL FOR LATEST DOCUMENTATION AS THE INFORMATION CONTAINED IN THIS MANUAL IS SUBJECT TO CHANGE.

This product must be installed in accordance with the National Electrical Code® (NEC®) and any applicable local codes. Before installing equipment, check with your local electrical inspector for requirements and information. If you have questions or need assistance, contact a qualified electrical contractor.

SAVE THESE INSTRUCTIONS.

Safety Information

Definitions

EVSE—Electric Vehicle Supply Equipment. EVSE is a general term used for all of the equipment used to supply electricity to the car.

ADA—Americans with Disabilities Act.

UL®—Underwriters Laboratories. UL is an accredited standards developer in the U.S. and Canada.


Moving, transporting, and storage instructions

Store the equipment indoors and in its original packaging until it is ready to be installed. Storage temperature should be between -40 °C and +60 °C. Never attempt to lift, move, or carry the equipment by the EV connector cord or power cord. Improper storage or handling may cause damage to the equipment.

Americans with Disabilities Act requirements to consider for workplace charging installation

The ADA and workplace charging

The Americans with Disabilities Act (ADA) is a federal civil rights law that prohibits discrimination in public places against individuals with disabilities. As an employer installing plug-in electric vehicle (PEV) charging stations, also known as electric vehicle supply equipment (EVSE), you need to follow special design guidelines to accommodate people with disabilities, as required by the ADA. Although the ADA does not provide design standards for charging station-equipped parking spots, several industry studies and PEV planning guides do. In addition, several plans developed under the U.S. Department of Energy's (DOE) Clean Cities EV Community Readiness projects describe best practices for installing ADA-compliant charging stations.


WARNING

ONLY QUALIFIED PERSONNEL FAMILIAR WITH THE OPERATION AND CONSTRUCTION OF THIS EQUIPMENT SHOULD INSTALL, ADJUST, MODIFY, AND SERVICE THIS EQUIPMENT. FAILURE TO FOLLOW THE INSTRUCTIONS COULD RESULT IN SEVERE BODILY INJURY OR DEATH.

NOTICE

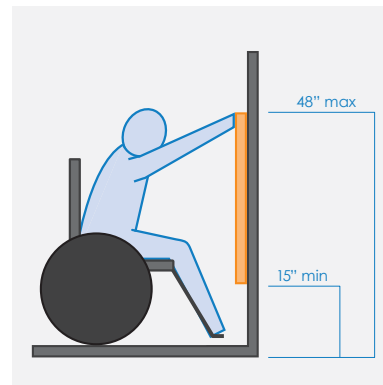
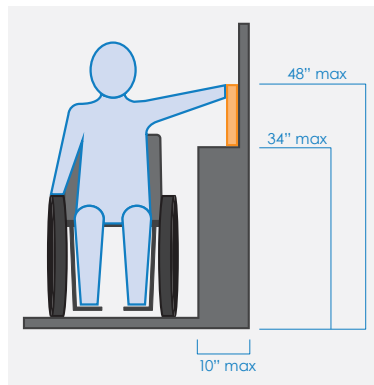
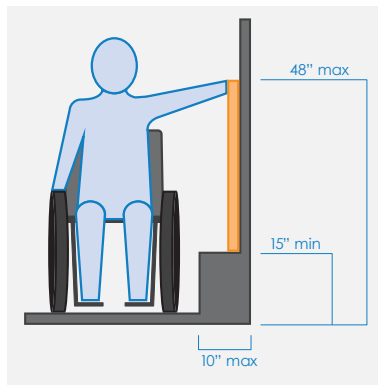
THE USER IS RESPONSIBLE FOR CONFORMING TO ALL LOCAL AND NATIONAL ELECTRICAL CODES AND STANDARDS APPLICABLE IN THE JURISDICTION IN WHICH THIS EQUIPMENT IS INSTALLED.

Best practices for designing ADA-compliant PEV charging stations

When designing ADA-compliant PEV charging stations, consider accessibility, ease of use, and safety for disabled drivers, including those using wheelchairs or other assistive equipment. Key considerations include ensuring adequate space for exiting and entering the vehicle, unobstructed access to the EVSE, free movement around the EVSE and connection point on the vehicle, as well as clear paths and close proximity to any building entrances.

For information about the ADA, including the revised 2010 ADA regulations, please visit the Department's website: <http://www.ada.gov>; or, for answers to specific questions, call the toll-free ADA information line at 800-514-0301 (voice) or 800-514-0383 (TTY).

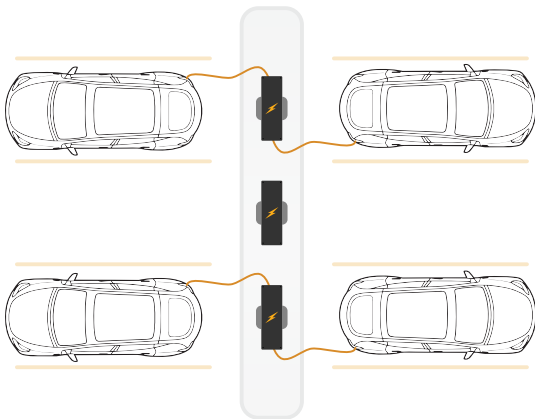
NEC Article 625 requires that the coupling means of the electric vehicle supply equipment shall be stored or located at a height of not less than 18 inches (450 mm) and not more than 4 ft (1.2 m) above the floor level for indoor locations and 24 inches (600 mm) above the grade level for outdoor locations.



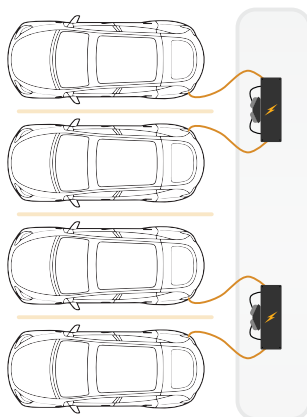
Installation


PARKING CONFIGURATIONS

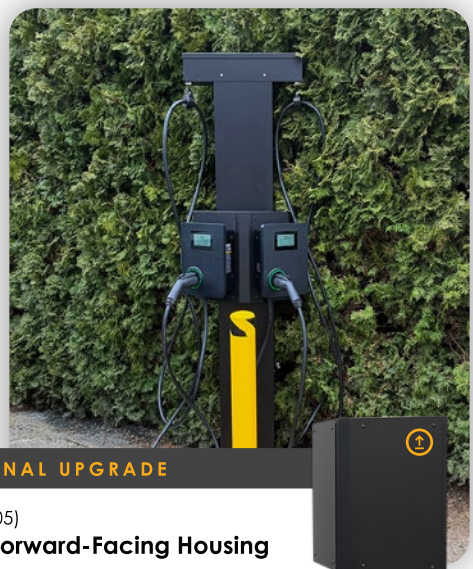
The Dual Retraction Pedestal can be installed in two configurations to suit any scenario.



Back-to-back
(Standard Model)



Side-by-side 
(Dual Forward-Facing Housing)



OPTIONAL UPGRADE

(WU-1005)

Dual Forward-Facing Housing

Streamlining side-by-side installations where two chargers are required to face the parking lots.

Installation

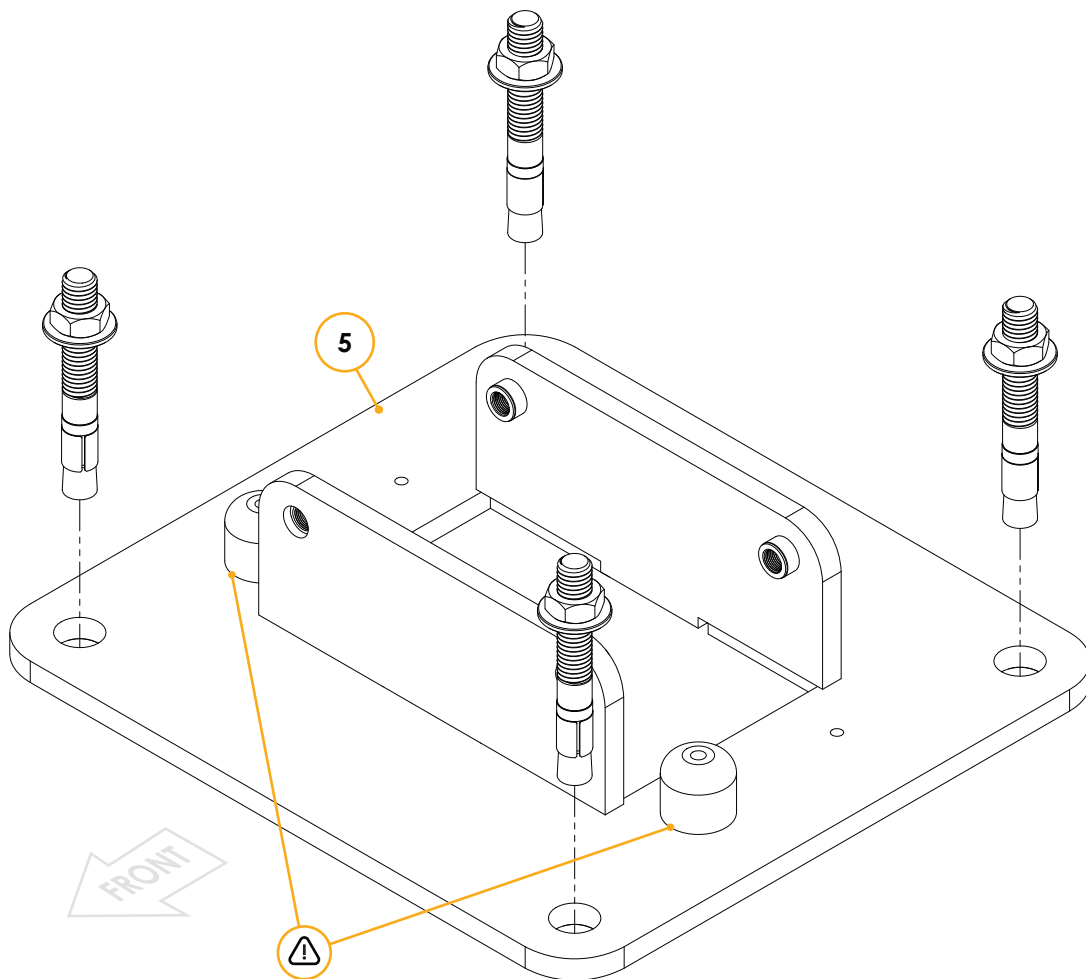
STEP A - MOUNTING BASE PLATE

Ensure the base plate is level.

- ⚠ Ensure rubber cushions are positioned to the front of the pedestal.

Install the concrete anchors.

REQUIRED HARDWARE (NOT INCLUDED)	QUANTITY
1/2" Steel Stud Anchors for Concrete*	4

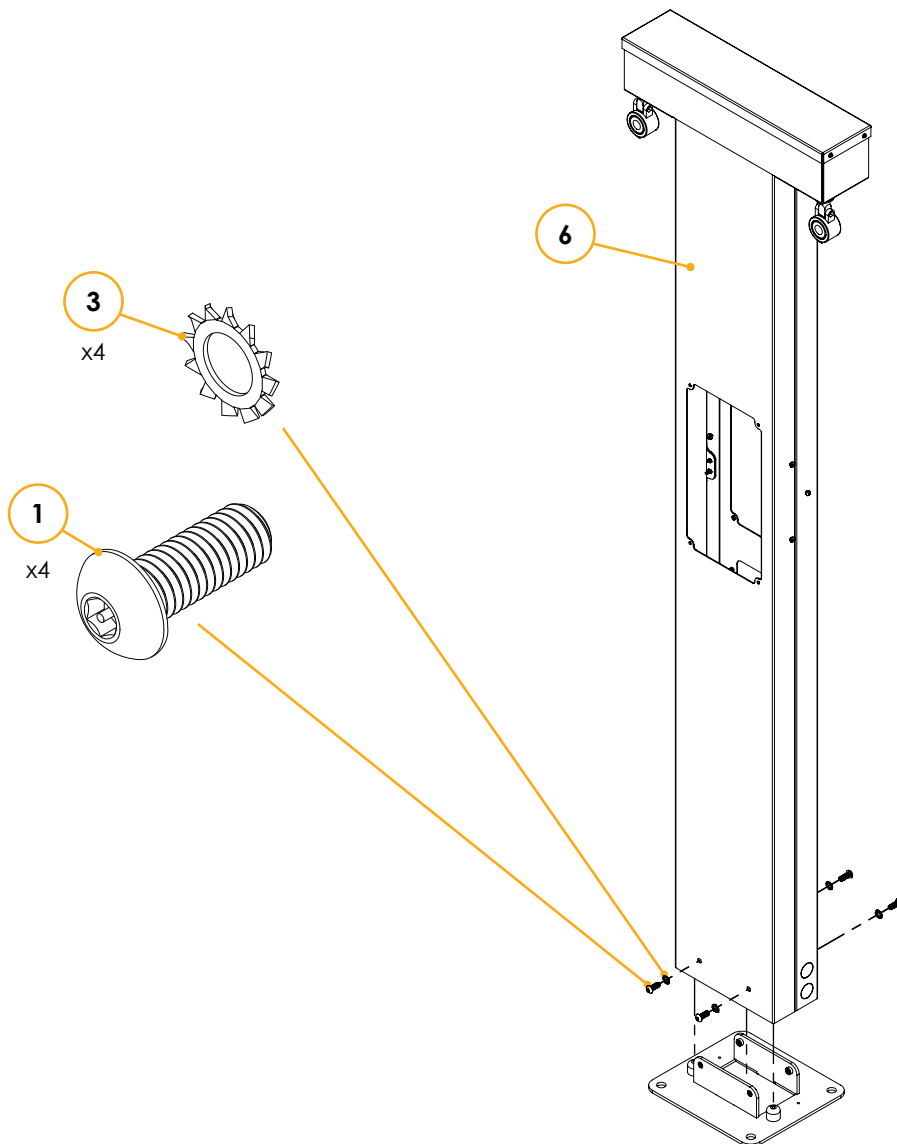


Installation

STEP B - ATTACHING THE PEDESTAL TO THE BASE PLATE

Slide the pedestal over the base plate and fasten using the provided hardware.

INCLUDED HARDWARE	QUANTITY
Machine Screw 3/8 - 16 x 1" Button head, Tamper proof (Torx), BO Stainless Steel	4
External Tooth Lock Washer 3/8" BO Stainless Steel	4



Installation

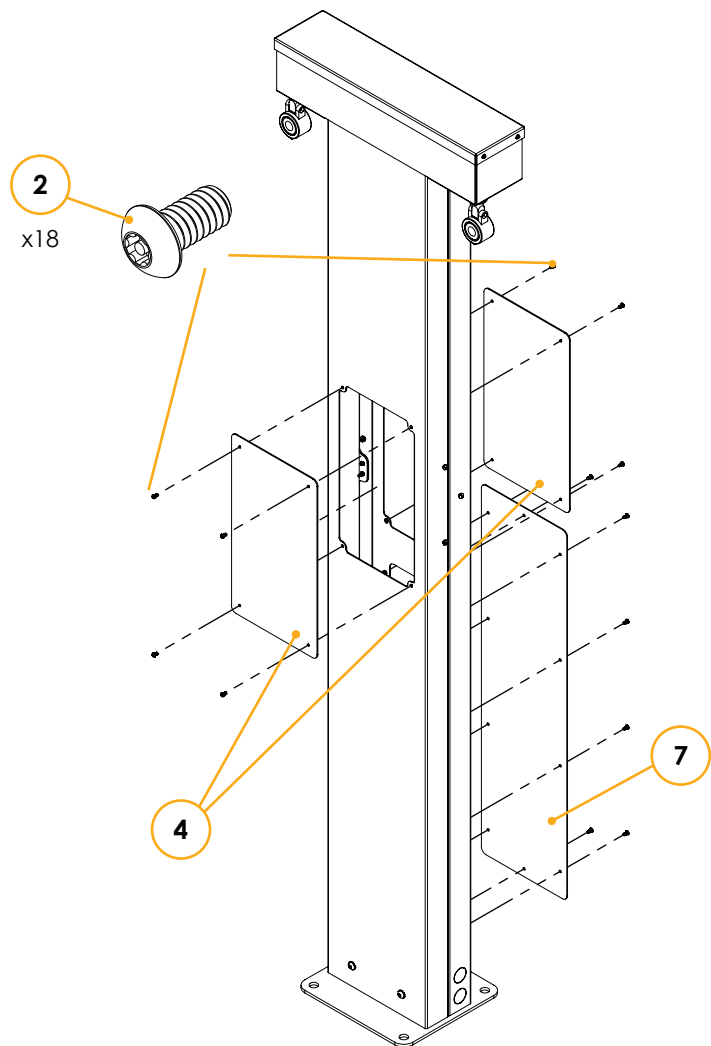
STEP C1 - ATTACHING THE MOUNTING PLATES & ACCESS DOOR

Remove the 2 screws holding the rear access door and proceed with chargers wiring.

INCLUDED HARDWARE	QUANTITY
Machine Screw 10 - 32 x 3/8" Button head, Tamper proof (Torx) BO Stainless Steel	18

Once completed, attach the rear access door using the 2 original screws and the additional 8 screws provided in the hardware kit.

Attach the mounting plates to the pedestal using the remaining 8 provided screws.



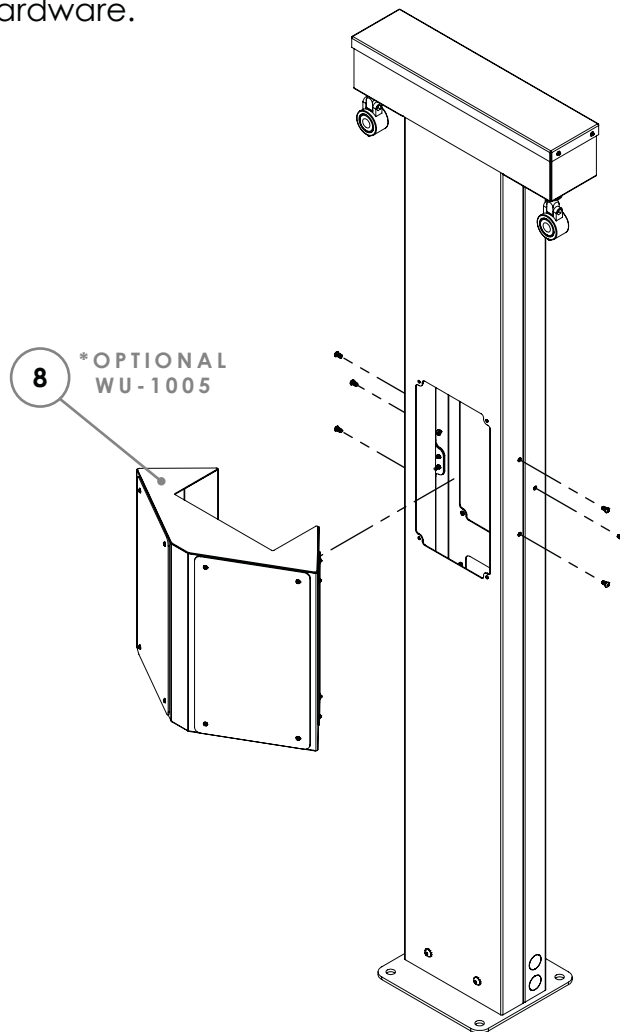
Installation

STEP C2 - ATTACHING THE OPTIONAL WU-1005 HOUSING

Unscrew the pre-attached hardware from the lateral mounting points.

PRE-ATTACHED HARDWARE	QUANTITY
Machine Screw 1/4 - 20 x 1/2" Button head, Tamper proof (Torx), BO Stainless Steel	6

Attach the Optional WU-1005 housing to the pedestal using the pre-attached hardware.



Product Warranty

WARRANTY TERMS AND CONDITIONS

Wattz Up Product Warranty

This section outlines the warranty provided by Wattz Up ("Company") for its manufactured product ("Product"). This warranty is specifically for the benefit of the installers who are responsible for registering the products to activate this warranty.

Warranty Period: 1 year

The Company provides a limited warranty, which covers defects in materials or manufacturing of the Product under normal use during the Warranty Period, and subject to the following:

- (a) This Warranty does not cover any condition, malfunction, defect, or damage caused by poor workmanship or incorrect installation of the Product, or damage caused by persons (or property) contrary to the Company's installation guidelines, which can be found at www.wattzup.ca or inside the shipping box.
- (b) During the Warranty Period, the Company will repair or replace, at no charge, Products that prove defective because of improper or defective material, under normal use and maintenance in accordance with the Company's installation guidelines.
- (c) The Company will either repair or replace the Product at no charge, using new or refurbished replacement parts.
- (d) A replacement or repaired Product assumes the remaining warranty of the original Product from the date of replacement or repair.
- (e) All Warranty claims must be in writing and made within 2 days of the installer becoming aware of the damage or defect. All determinations by the Company regarding this Warranty are conclusive and final.

Warranty Claims

To submit a warranty claim, clients or installers should visit the following link: <https://www.wattzup.ca/warranty-claim>

STOP

Installers must scan the QR code to register products and activate the warranty:

<https://www.wattzup.ca/warranty-registration>





EV CHARGER MOUNTING SOLUTIONS

2707 CLARKE STREET, PORT MOODY,
BC, V3H 1Z5, CANADA

WATTZUP.CA - INFO@WATTZUPEV.CA