



Famigluti Pty Ltd t/as

ABN 65 178 019 627 | ACN 009 965 217

# Redcliffe Skylights & Norm Hogg Sheetmetals

📍 74 High Street, Kippa-Ring Qld 4021  
✉ sales@redcliffeskylights.com.au

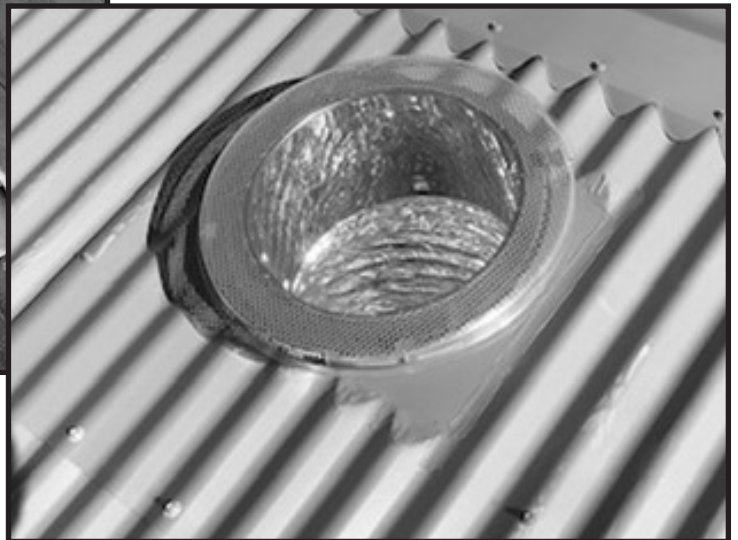
☎ 07 3284 1300 / 1800 017 226  
🌐 www.redcliffeskylights.com.au

## CIRCULAR SERIES 1, 2, 3 & 4

*Fully flashed unit ready to install*



Series 4



Series 1

Bring natural light into your home  
or business with a skylight!

*A Wholly Owned Queensland Company*



# CIRCULAR SERIES

Redcliffe Skylights offer 4 different models in the circular series. All of our circular skylights from series 1 to 4 have only one roof penetration. This saves on installation costs and delivers a far smoother roof line. Similar products on the market have multiple roof penetrations, but Redcliffe Skylights circular skylights have been developed with the utmost care and precision.

## Advantages

- Installation made easy
- Robust design
- Weatherproof
- Guaranteed ventilation and light to areas like kitchens, toilets, bathrooms and laundries etc.
- Low silhouette
- No extras, complete unit supplied
- Replacement parts also available
- Options for either ventilated (passive or mechanically) or non-ventilated.

## Bases

All standard skylight bases are manufactured from 0.8mm Zinalume or galvanised iron. If required, units can be manufactured in stainless steel or aluminium. Bases can also be painted or powder-coated to suit most roof colours.

## Dome Types

Skylights come standard with domed 3mm high impact acrylic in either opal or clear. We also have options such as 4.5m High Impact, Polycarbonate and tinted finishes, subject to availability. Glass tops are also available for BAL areas.

## Diffuser Types

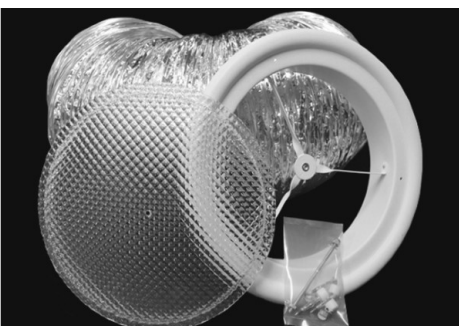
The standard Y15 prismatic diffuser is ideal for dispersing light more evenly with a 82% light output ratio. There are other options available at request to better suit your style, such as Y12 prismatic, Lite Opal, Seadrift and Eggcrate.

## Maintenance

You can clean your skylight with just sudsy water and a soft cloth, please take care when cleaning skylight domes and use minimal pressure. We also recommends regularly clearing of any foliage or rubbish on and around the base of your skylights.

## Circular skylight shaft kit

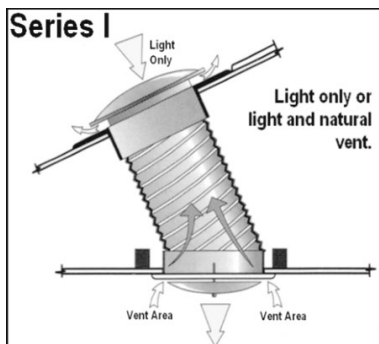
Standard shaft kit comes with 1x 2m length of duct, 1x set of screws, 1x ceiling trim and Y15 prismatic diffuser. The Circular Series 3 will also come with a second set of duct, screws and a ceiling register.



CIRCULAR	APPROX. OPENING	LIGHT AREA M <sup>2</sup>	NATURAL	SUPERVENT	MECHANICAL
300 Series 1	300DIA	.070	.030	.097	N/A
300 Series 2 & 3	300DIA	.070	N/A	N/A	205
400 Series 1	400DIA	.125	.070	.123	N/A
400 Series 2 & 3	400DIA	.125	N/A	N/A	205
400 Series 4	400DIA	.125	N/A	N/A	245
500 Series 1	500DIA	.196	.077	N/A	N/A
500 Series 2 & 3	500DIA	.196	N/A	N/A	205
500 Series 4	500DIA	.196	N/A	N/A	245

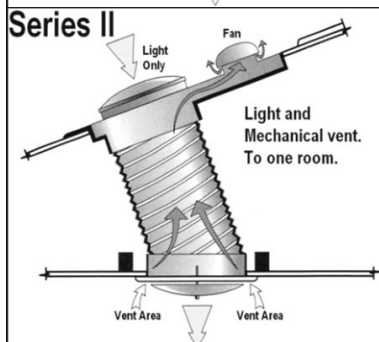
Custom made sizes are available at request. Skylights manufactured by this company have been tested and passed the Queensland Institute of Technology as per Australian Standard AS 4285 and approved by the Division of Occupation Safety.

*Redcliffe Skylights reserve the right to improve or modify these products at any time. It is the user's responsibility to ensure that the installation of these skylight products meet the requirements of Local and State Authorities.*



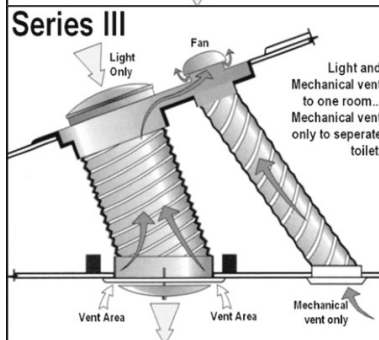
## Circular Series 1 300, 400, 500

This unit is the passively vented to allow for natural air flow, or non-ventilated model where only light is required. The ideal application for many rooms such as living areas, hallways, bathrooms, garages etc.



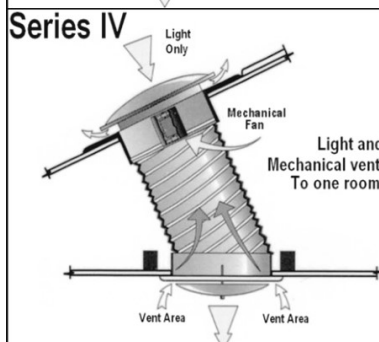
## Circular Series 2 300, 400, 500

This unit is a mechanically ventilated model. This model is the ideal application for rooms that may not have a window or require mechanical ventilation to meet BCA standards. An electrician may be required to connect the fan to a power outlet.



## Circular Series 3 300, 400, 500

This model is a mechanically ventilated model where light is required for 1 room and ventilation needed for the 2nd adjoining room. This is designed for use in adjoining bathrooms, toilets, en suites and laundries. An electrician may be required to connect the fan to a power outlet.



## Circular Series 4 400, 500

This model is similar to the series 2 but as the fan is in-line, to reduce the size of the flashing on the roof. This model may obstruct the light. An electrician may be required to connect the fan to a power outlet.