

# Spec Sheet MWS500

## Short Description

- > IP55 protection
- > Warewashing cabinet machine
- > AISI 304 Stainless Steel construction
- > 20 washing programs customizable in all parameters (time, washing pressure, wash/rinse cycles)
- > Multiwasher system to wash different types of objects
- > Tailor made trolleys designed on objects specifications
- > Touch Screen Controller and emergency button switch
- > High Pressure Washing Pump, up to 200 PSI
- > Washing temperature up to 176 °F
- > Rinsing temperature up to 194 °F

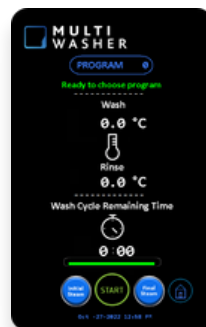


## Options

- |                               |                                    |                            |
|-------------------------------|------------------------------------|----------------------------|
| > SPINNING DRYER SYSTEM       | > AUTOMATIC WATER TANK REPLACEMENT | > EXTRA HMI                |
| > DIAPHRAGM RINSE DOSING PUMP | > QUIMICAL LEVEL DETECTION         | > REINFORCEMENT PLATE KIT  |
| > PRESSURE VARIATION SYSTEM   | > STEAM HEATING                    | > CUSTOMIZED INTERNAL CAGE |
| > EXTERNAL FILTER SYSTEM      | > EXTRA DOOR                       | > KIT CATERING             |



Multi Products Washing



Up to 20 Personalized Programs



Tailor-Made Trolleys



# Data Sheet

## MWS500

### TECHNICAL FEATURES

VOLTAGE/FLA/FREQUENCY  
 TOTAL POWER [HP]  
 TOTAL POWER (WITH INVERTER) [HP]  
 NET WEIGHT [lbs]  
 GROSS WEIGHT [lbs]  
 EXTERNAL MEASURES (WxDxH)[INCHES]  
 INTERNAL MEASURES (WxDxH)[INCHES]

### ELECTRIC

208-240V 100.1A | 440-480V 45,8A 3PH 60Hz  
 46.5  
 71  
 3440  
 4740  
 88" x 70 1/2" x 105 3/8"  
 39 1/4" x 39 1/4" x 78"

### WASHING DATA

TANK [Gal] 89  
 TANK HEATING POWER [HP] 24.5  
 TANK FILLING TIME [43 PSI PRESSURE) [min] 20  
 WASH PUMP POWER [HP] 20.4  
 TANK WASH TEMPERATURE [°F] 120-176  
 WASHING PRESSURE [PSI] 200  
 WASH PUMP FLOW [Gal/min] 113

### RINSE DATA

BOILER VOLUME [Gal] 5.3  
 BOILER HEATING POWER [HP] 24.5  
 RINSE PUMP POWER [HP] 0.59  
 RINSE TEMPERATURE [°F] 194  
 RINSE PRESSURE [PSI] 43  
 RINSE PUMP FLOW [Gal] 4.22  
 WATER CONSUMPTION BY CYCLE (30s RINSE)[Gal] 2.11

### SPINNING DATA

ROTARY BASKET MOTOR POWER [HP] 1  
 SPINNING SPEED VARIABLE

### EXHAUST DATA

EXHAUST MOTOR POWER [HP] 0.6  
 STEAM EXHAUST FLOW [cfm] 825

# Standard Features

## MWS500

### OVERVIEW:

> Benchmark shows that under standard scenarios of correct equipment application/use, it is possible to save up to:

- 2/3 less water;
- 70% less detergent;
- 50% energy usage;



> Wash cycle up to 176 °F



> Rinse cycle up to 194 °F

> Dual heat rinse boosters

> Pump and spray nozzle system up to 200 PSI



> Integrated rinse pump system

> Internal water filter system

> AISI Stainless steel construction



> Double insulated cabinet for heat and sound



> Ergonomic operator handle

> Intuitive 7" touch screen



> User friendly and upgradable interface

> Predefined or fully customizable cleaning cycle parameters

> Remote monitoring and service

> Automatic chemical dosing



> Industrial chemical pumps for detergent & rinse aid (rinse aid - optional)

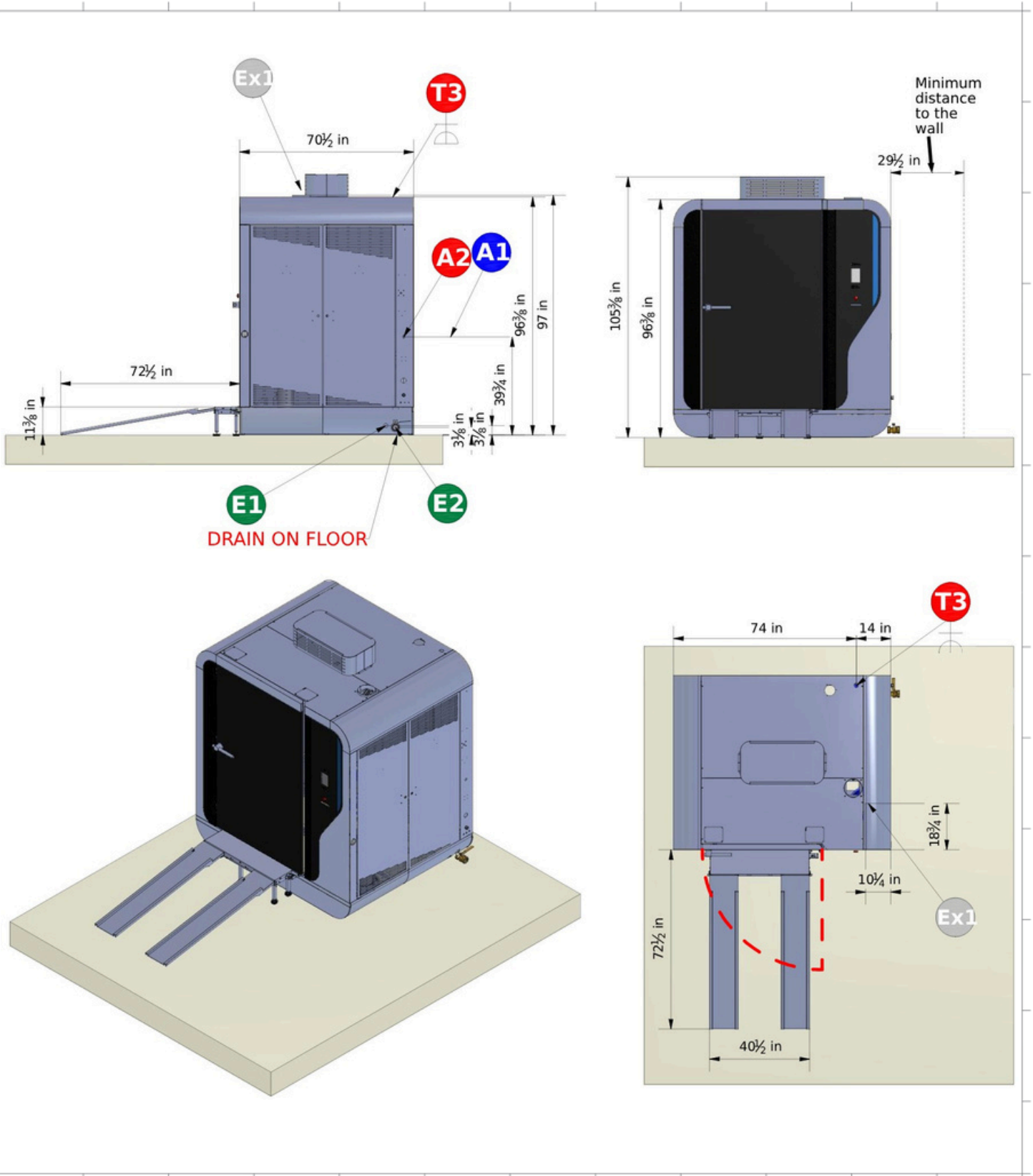
> Emergency stop switch



> Two easily removable doors for convenient access to components for service

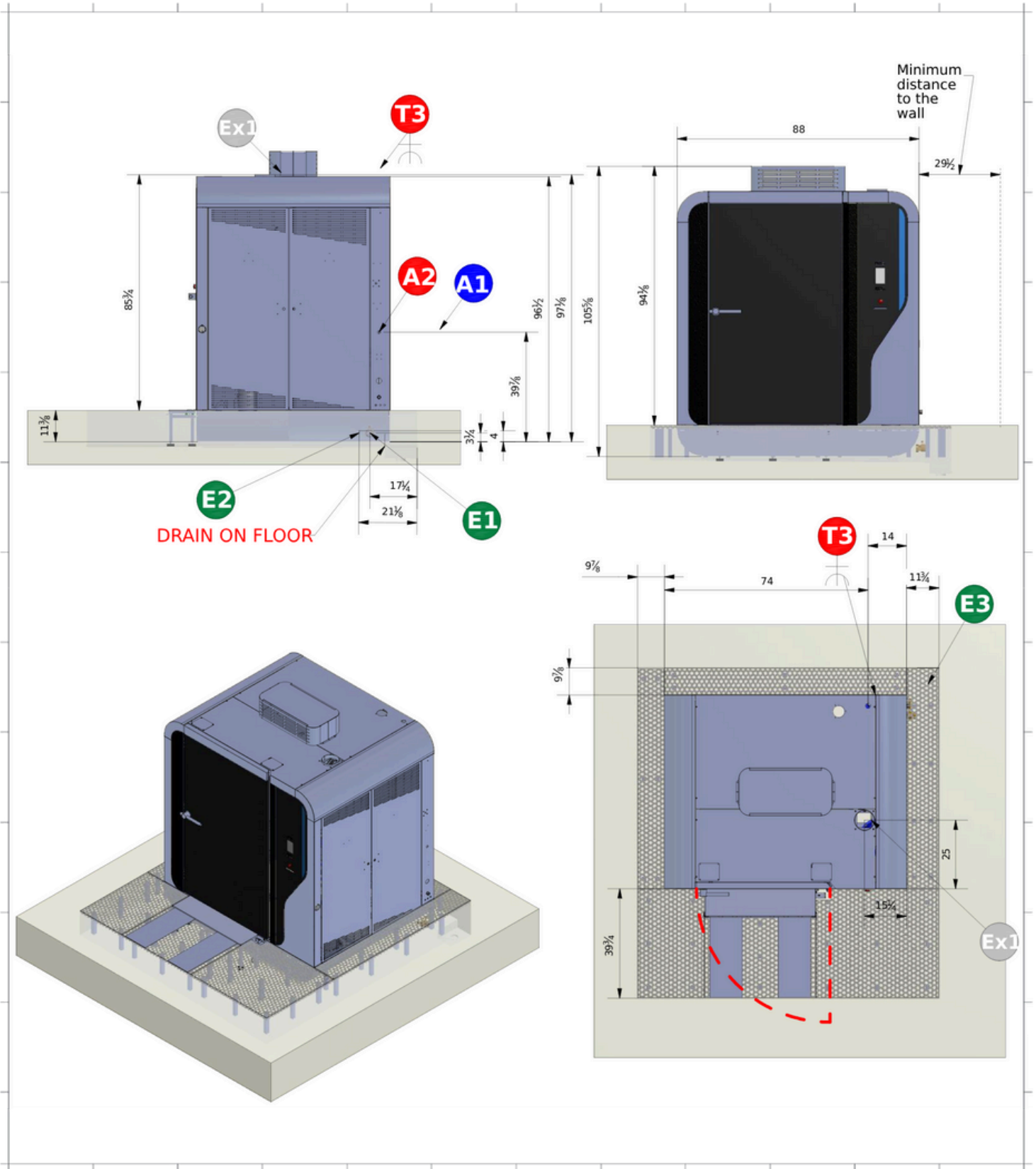


# MWS500 - on floor





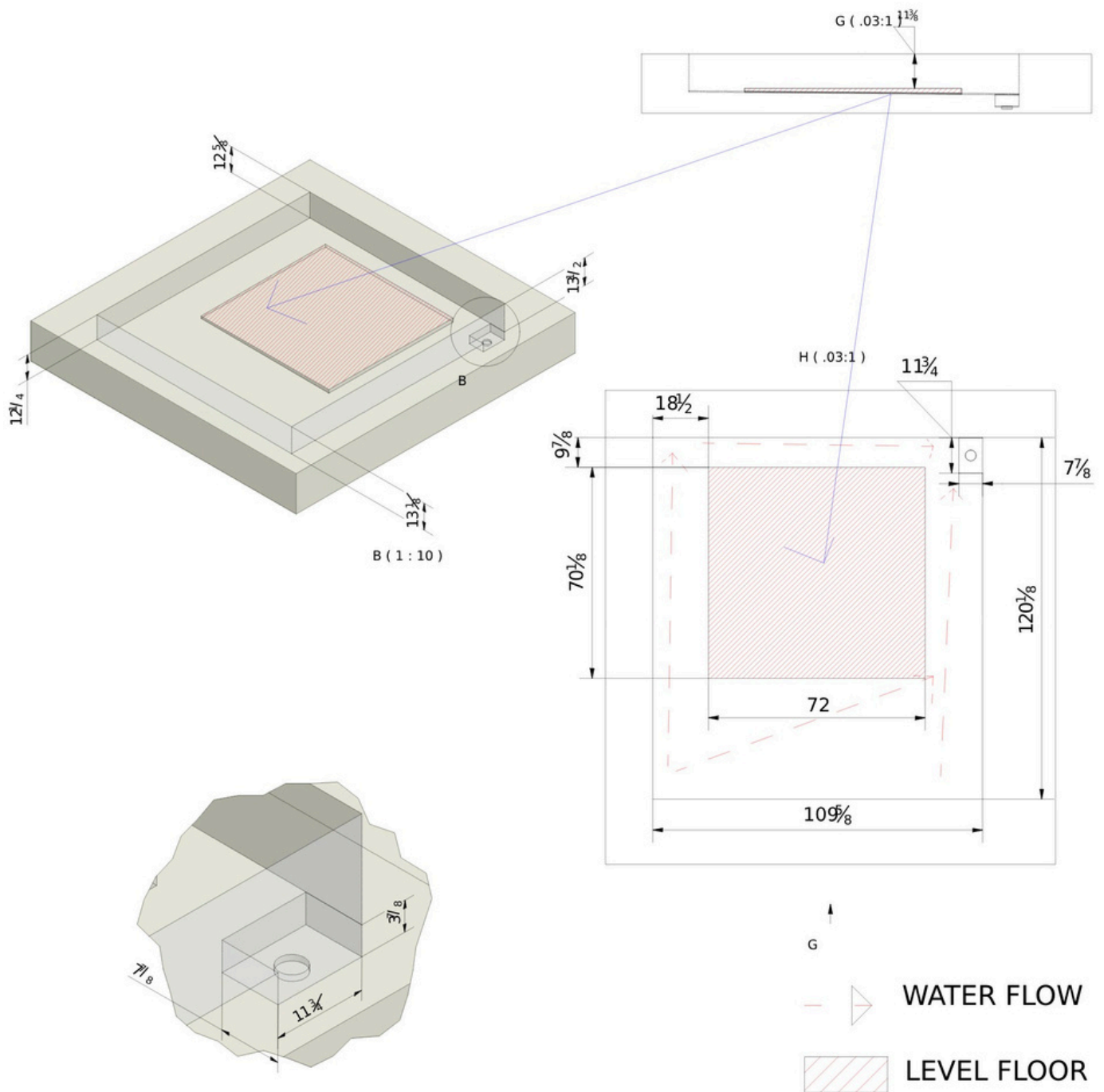
# MWS500 - under floor






# MWS500 - under floor

**NOTE: CONSTRUCTION AND PLUMBING  
WORK AT THE CUSTOMER EXPENSE**





# MWS500 - table

| TABLE  | DESCRIPTION   | HEIGHT  |
|--|---|---------|
| <b>A1</b>  | Hose connection to clean the equipment: 3/4"  | 39" 3/4 |
| <b>A2</b>  | Hot Water Inlet: 3/4" 140°F<br>Water hardness: 5 to 10°FH<br>Particles less than: 50μ<br>Inlet Pressure: 2 to 3 Bar | 39" 3/4 |
| <b>E1</b>  | Drain Pipe: 2"<br>Minimum flow: 26US gal/min<br>Temperature up to: 194°F  | 3" 1/8  |
| <b>E2</b>  | Drain Pipe: 1" 5/8  | 3" 7/8  |
| <b>Ex1</b>   | Exhaustion pipe: 7"1/8 - 825 cfm  | 97"     |
| <b>T3</b><br> | 208-240V 3P+ PE<br>End of Cable 9ft 3x50 + PE with<br>fuse class J 125A + differential breaker 30mA Class F         | 97" 7/8 |
|  | 440-480V 3P+ PE<br>End of Cable 9ft 3x16 + PE with<br>fuse class J 60A + differential breaker 30mA Class F          | 97" 7/8 |

 **MULTI  
WASHER**

[somengil.com](http://somengil.com)



**S**  **M E N G I L**



331-979-2013

[info@zayyden.com](mailto:info@zayyden.com)