
OneFab Ltd.



Expert fabrication and project solutions.
Reliable, end-to-end service.
A commitment to quality and timely
delivery.

ONE
F A B



Our Mission

- We turn your ideas into dependable stainless systems that protect your product and your people. We show up, listen, design clearly, and leave work we're proud to sign our name to.

ONE
F A B

Our Vision

- To be the trusted stainless engineering partner powering New Zealand's industry with safe, efficient, and enduring systems.





Our Services

- From tanks to process piping, we design, build and fit, on time, on site.
- Fabrication, installation and maintenance, done right the first time.
- End-to-end stainless: design, weld, install, certify.



Our References

- From small organic wineries to some of the world's biggest industry players, we are trusted by breweries, food processors, marine operators, and commercial manufacturers for dependable stainless solutions.



Process Pipework



- Stainless pipework for food & beverage lines, utilities and cooling (glycol/ethanol) delivered welded or press-fit.

ONE
F A B

Winery Accessories and Process Equipment

- Customised designs and fast delivery accessories.
 - bucket tress, pump trolleys, spraying nozzles, swan necks, bench tops...
- Stock of fast-moving items.
 - RJTs, ferrules, clamp fittings, butterfly valves, bends, Turret fittings, inline sight glasses, manways, pressure relief valves...





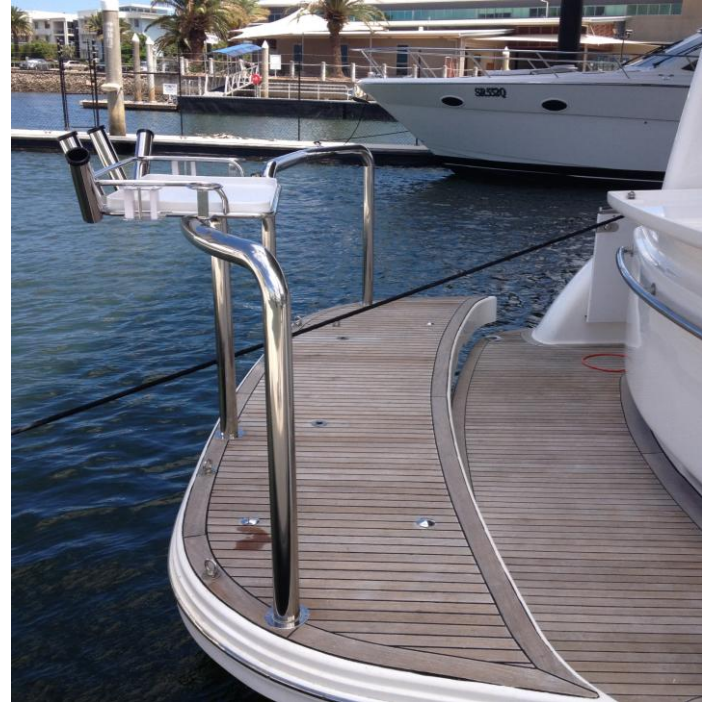
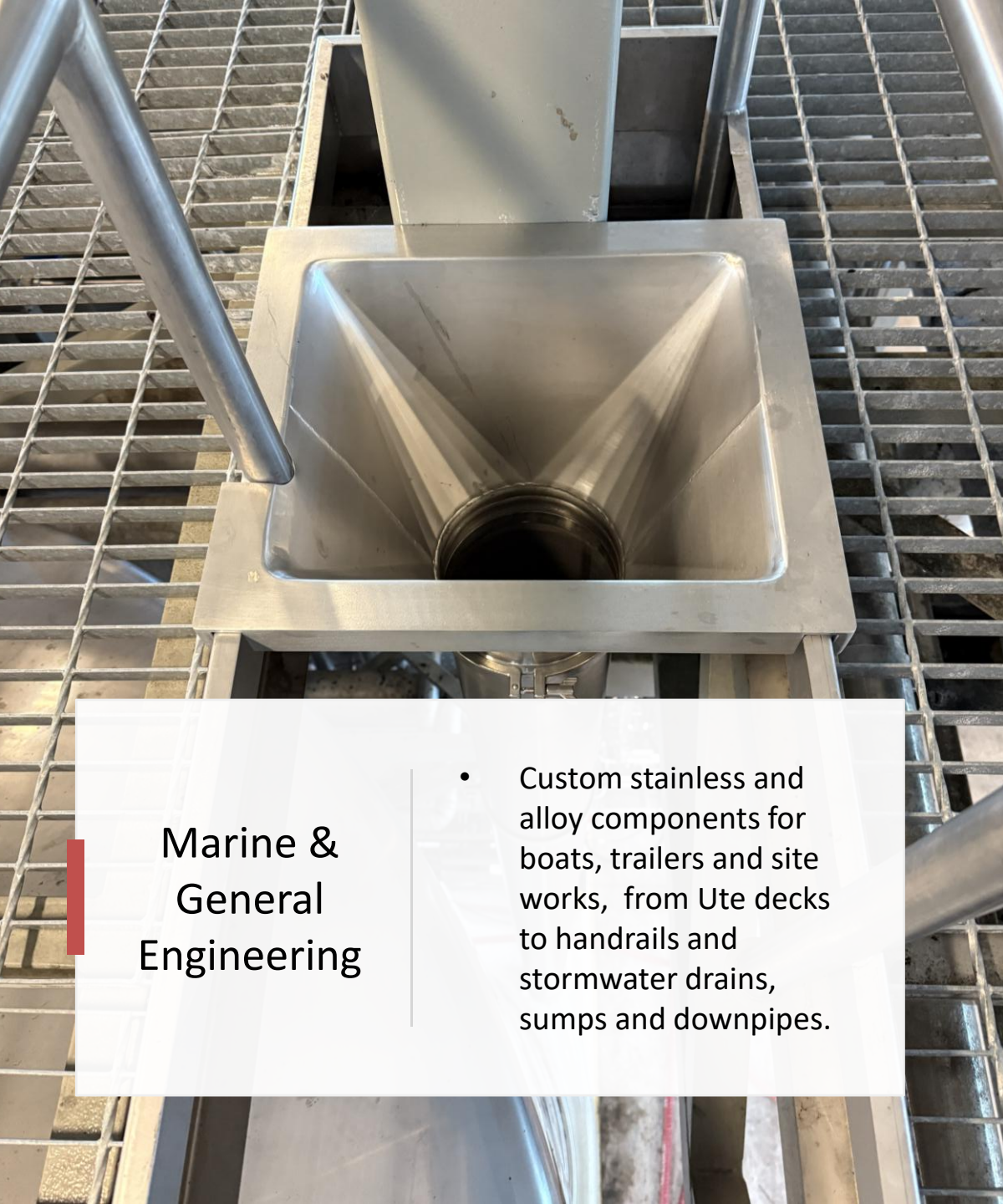
Upgrades & Modifications

- Upgrade existing tanks and lines, adding dimple jackets, glycol cooling systems, vents, temperature probes or CO2 extraction lines.
- From tanks to process piping, we design, build and fit, on time, on site.

Sheetmetal Fabrication

- Precision stainless, aluminium and steel fabrication with CNC folding, clean cutting and expert welding.





Marine & General Engineering

- Custom stainless and alloy components for boats, trailers and site works, from Ute decks to handrails and stormwater drains, sumps and downpipes.

ONE
F A B

Construction

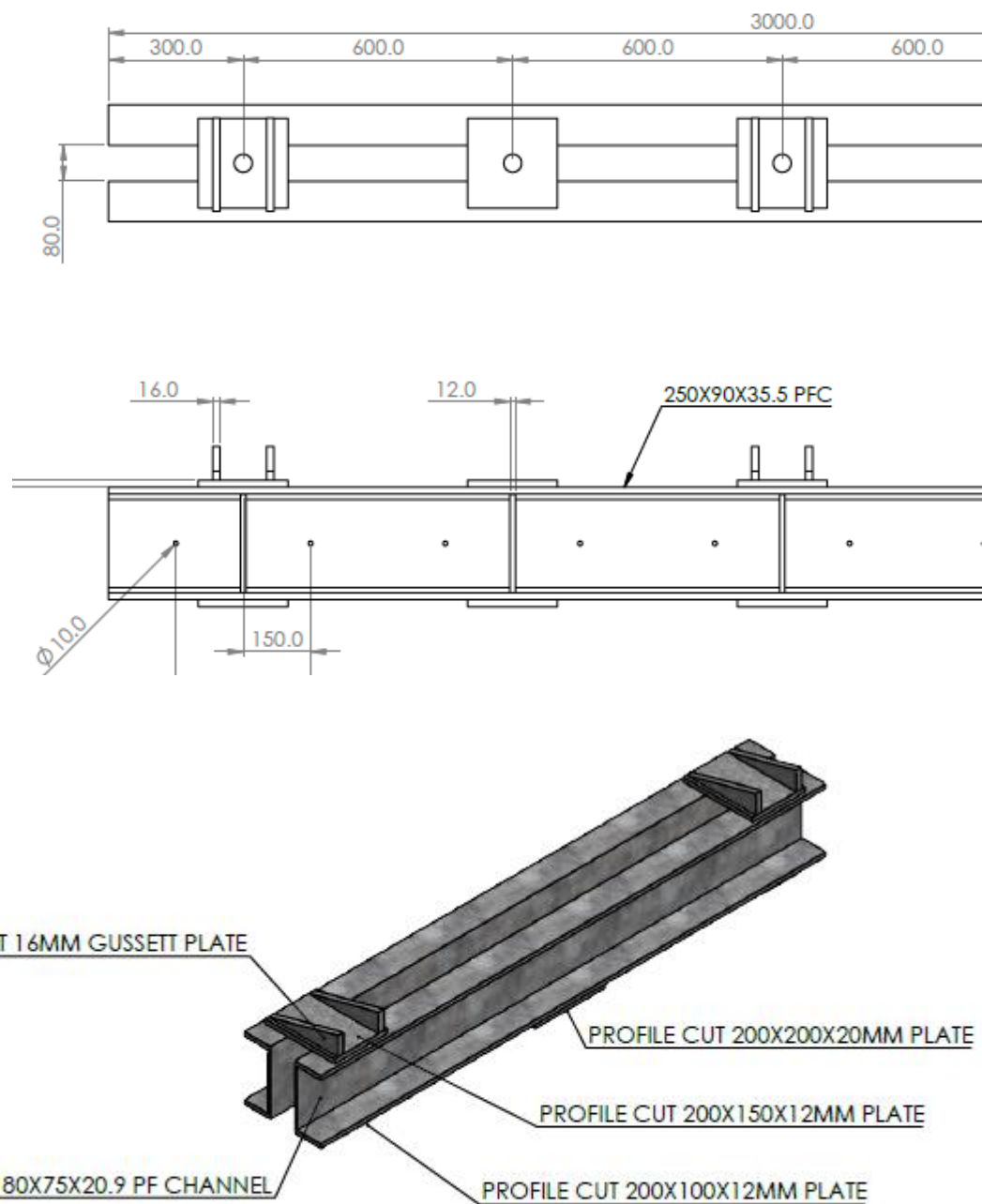
- Ground anchors
- Whaler beams
- Micropiles

Permanent casing (CHS/API): cut to length, prepped ends, shoes/tips, welded couplers/spigots.

Pile heads & caps: base plates, head details, bearing/transfer plates, underpinning brackets, walers.

Templates & jigs, DCP components (for permanent works): centralisers, grout spacers, sheathing parts.

Ancillaries: tremie/grout tubes, protection caps, lifting points.



Water plants



- Stainless-steel pipework for pumping and filtration systems
- Reliable installation of pumps, valves, and filter stations incl. UV-Filtration
- Custom process pipework for safe, efficient water supply
- Complete durable solutions for municipal and industrial water plants
- Precision alignment and commissioning for long-term performance

ONE
F A B



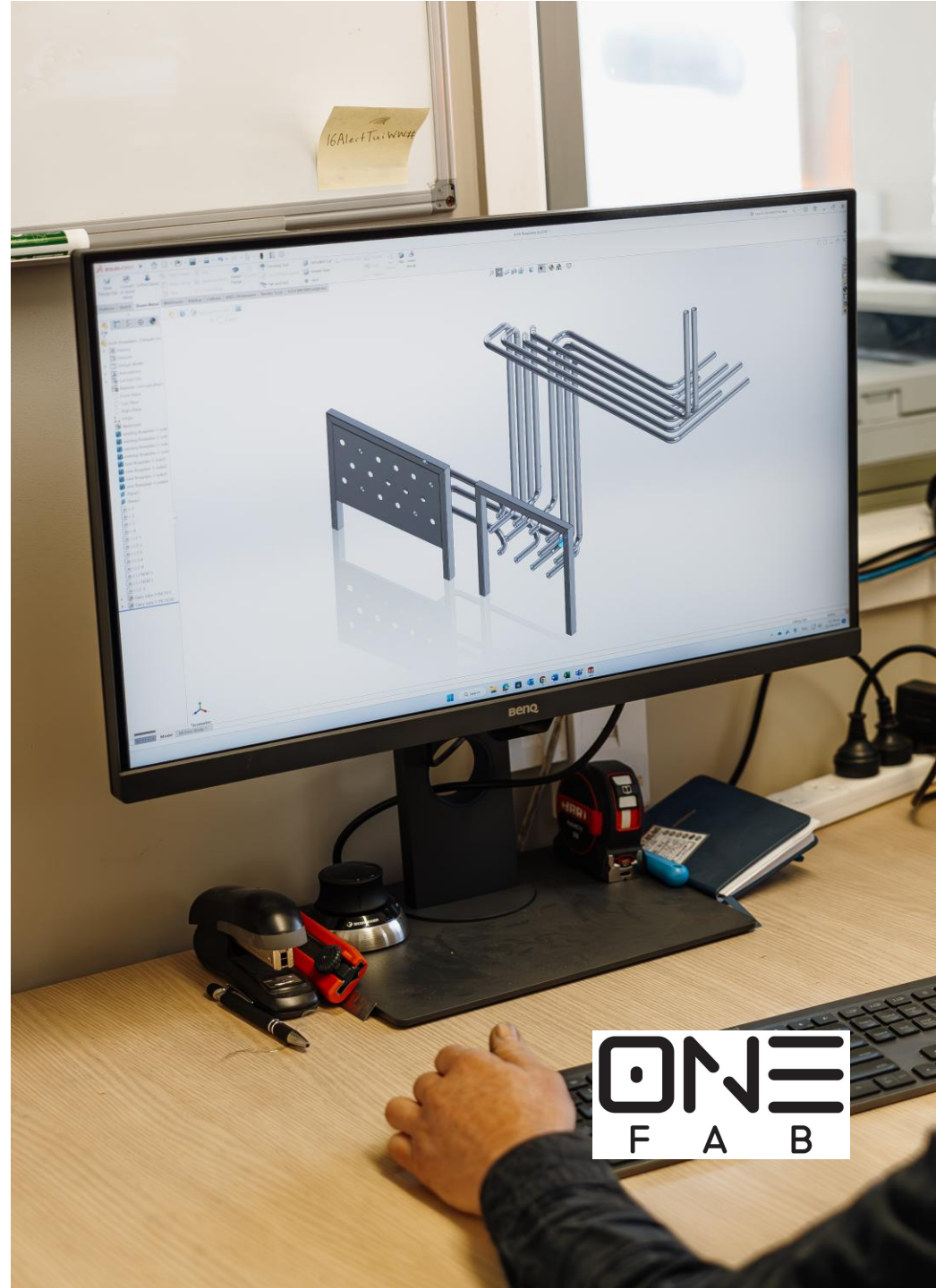
Industrial Kitchen Fabrication

- Custom stainless-steel solutions for commercial kitchens:
 - Hygienic food-grade fabrication
 - Benchtops, sinks, and splashbacks
 - Ventilation hoods and ducting
 - Designed for safety, durability, and efficiency

ONE
F A B

CAD Design

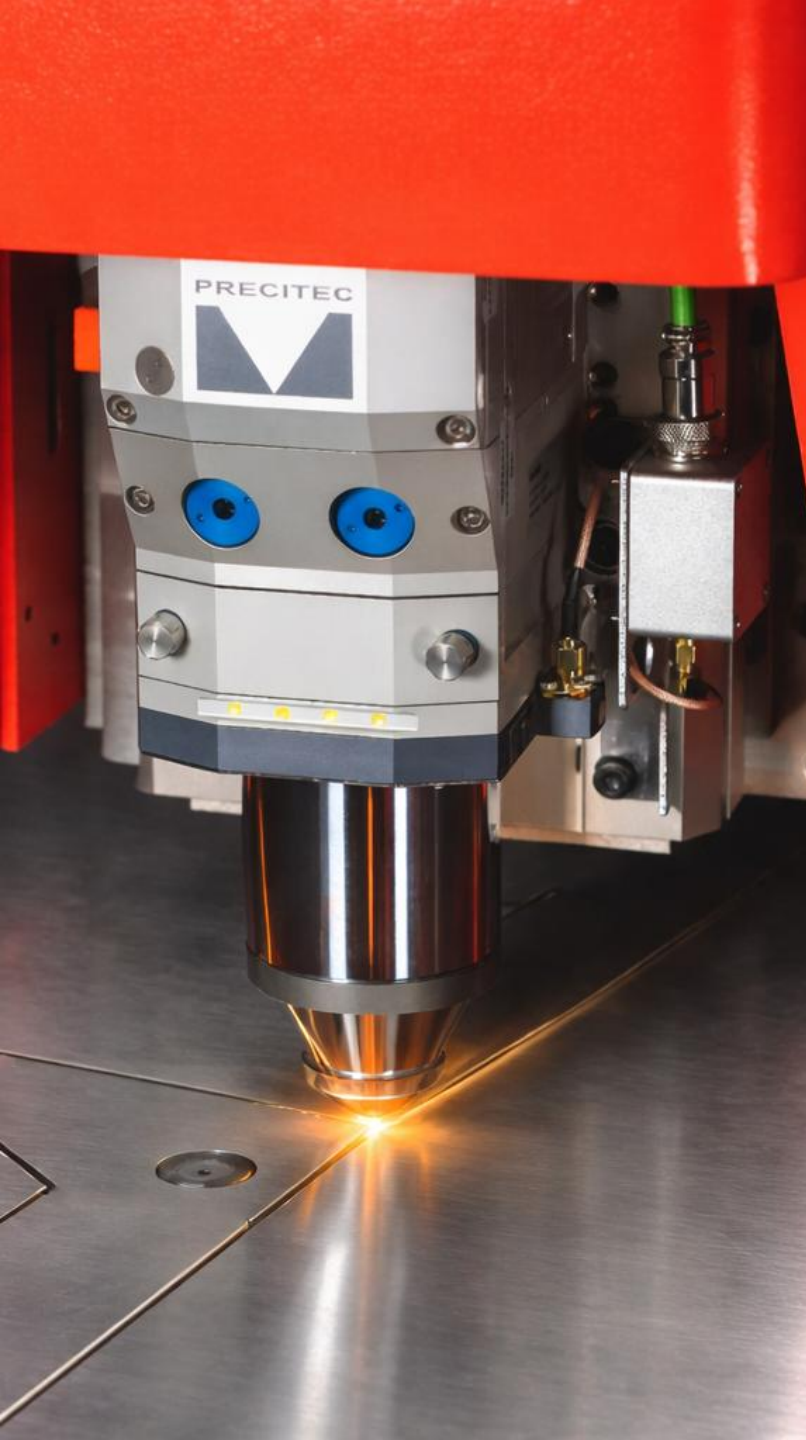
- Clear 3D concepts through to production-ready drawings for accurate machining and CNC cutting.



Why Choose Us

- “We combine precision engineering, reliable delivery, and stainless expertise to keep your projects moving - safely, efficiently, and to the highest standard.”
- Quality assurance through defined procedures (QA)





In-house Equipment

- MIG / TIG / stick / oxy-gas welding
- Lathe
- Hydraulic swing-beam shearing machine
- Hydraulic CNC press brake
- Hydraulic press
- Geared-head mill drill
- Tube and band saws
- Tube and profile end grinders
- SolidWorks 3D CAD Professional
- 3D printer (300 mm³) for prototyping
- Laser Cutter 3000 × 1500 mm
- Stocked stainless steel material for fast runs

ONE
F A B

Contact



- Phone: 03 579 2820
- Email: sales@onefab.co.nz
- Website: www.onefab.co.nz
- Address: 5/40 Waters Ave, Blenheim New Zealand