

Super-Lift MX 1024 Construction Hoist

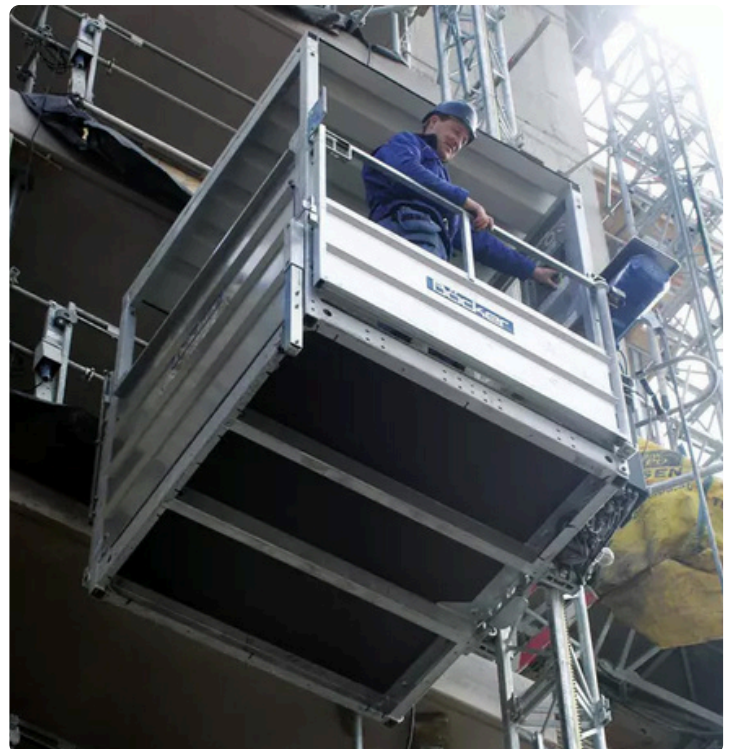
↑ 650 ft Max Height

🛒 2,200 lb Max Load Capacity

⌚ 80 ft/min Hoisting Speed

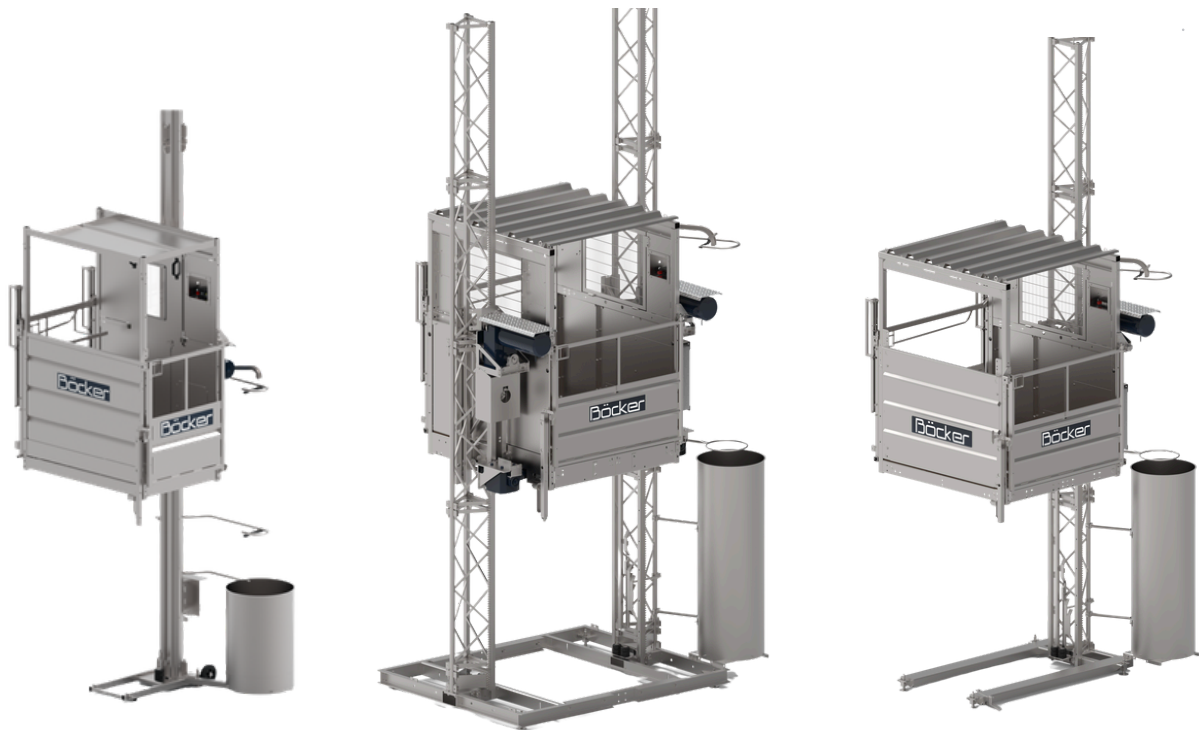
Technical Data:

- Compact, yet powerful rack and pinion lift built for transporting both personnel and materials
- Accommodates up to 6 people or 2,200 lbs of materials
- Single mast system
- Modular, adaptable lift built to fit each project's unique needs
- Multiple platform configurations
- Durable build to withstand demanding job site conditions
- Compact footprint without compromising performance
- Intuitive controls for user-friendly operation
- Optional diagnostic function monitors limit switches and displays diagnostic information
- Requires 480 V, 60 Hz, 3-phase, 16 A power supply



Innovativ Hoisting_{LLC}

LIFTING POSSIBILITIES...



Personnel & Material Hoists Up To 650 ft

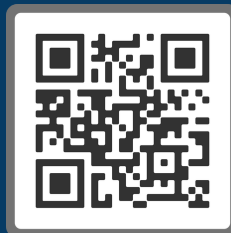
MADE IN GERMANY

Contact Us Today For Sales

(860) 969-4477

office@innovativhoisting.com

www.innovativ-hoisting.com



Innovativ Hoisting is the North American distributor for:

Böcker Maschinenwerke GmbH Lippestr. 69-73 DE-59368 Werne, Germany

www.boecker.de/en

Böcker
MY WAY TO THE TOP