

# Superlift MX 1024 Construction Hoist

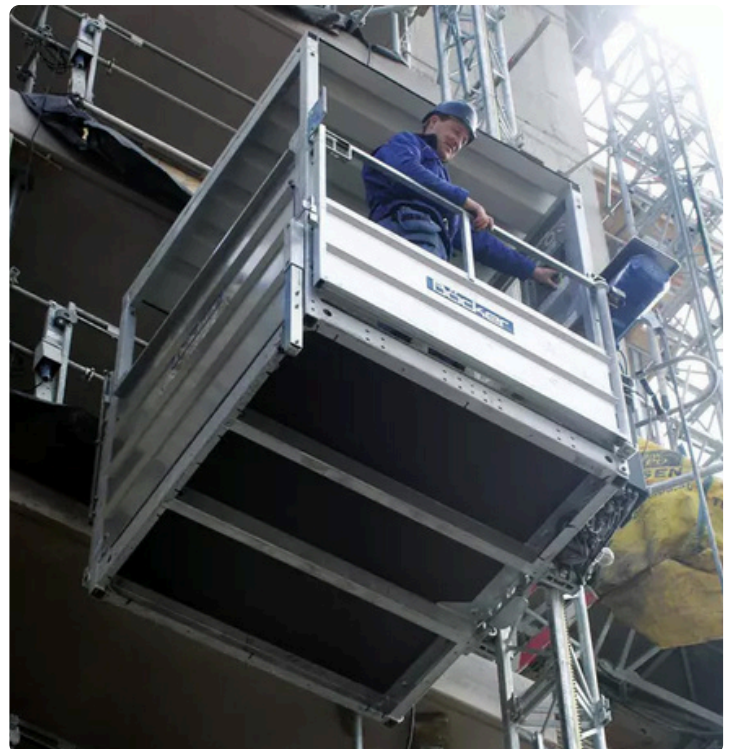
↑ 650 ft Max Height

🛒 2,200 lb Max Load Capacity

⌚ 80 ft/min Hoisting Speed

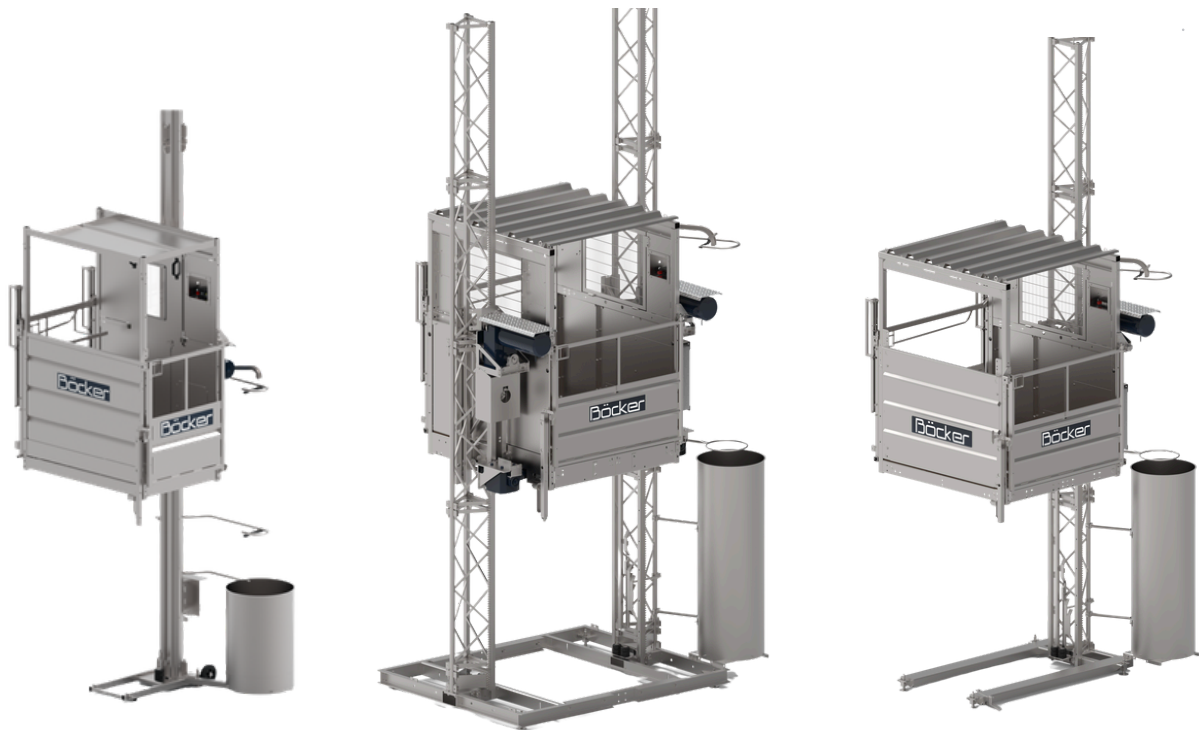
## Technical Data:

- Compact, yet powerful rack and pinion lift built for transporting both personnel and materials
- Accommodates up to 6 people or 2,200 lbs of materials
- Single mast system
- Modular, adaptable lift built to fit each project's unique needs
- Multiple platform configurations
- Durable build to withstand demanding job site conditions
- Compact footprint without compromising performance
- Intuitive controls for user-friendly operation
- Optional diagnostic function monitors limit switches and displays diagnostic information
- Requires 480 V, 60 Hz, 3-phase, 16 A power supply



# Innovativ Hoisting<sup>LLC</sup>

LIFTING POSSIBILITIES...



**Personnel & Material Hoists Up To 650 ft**

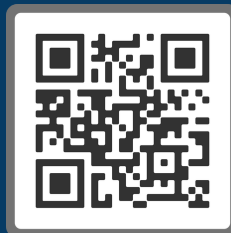
MADE IN GERMANY

**Contact Us Today For Sales**

**(860) 969-4477**

**office@innovativhoisting.com**

**www.innovativ-hoisting.com**



*Innovativ Hoisting is the North American distributor for:*

**Böcker Maschinenwerke GmbH** Lippestr. 69-73 DE-59368 Werne, Germany

[www.boecker.de/en](http://www.boecker.de/en)

**Böcker**  
MY WAY TO THE TOP