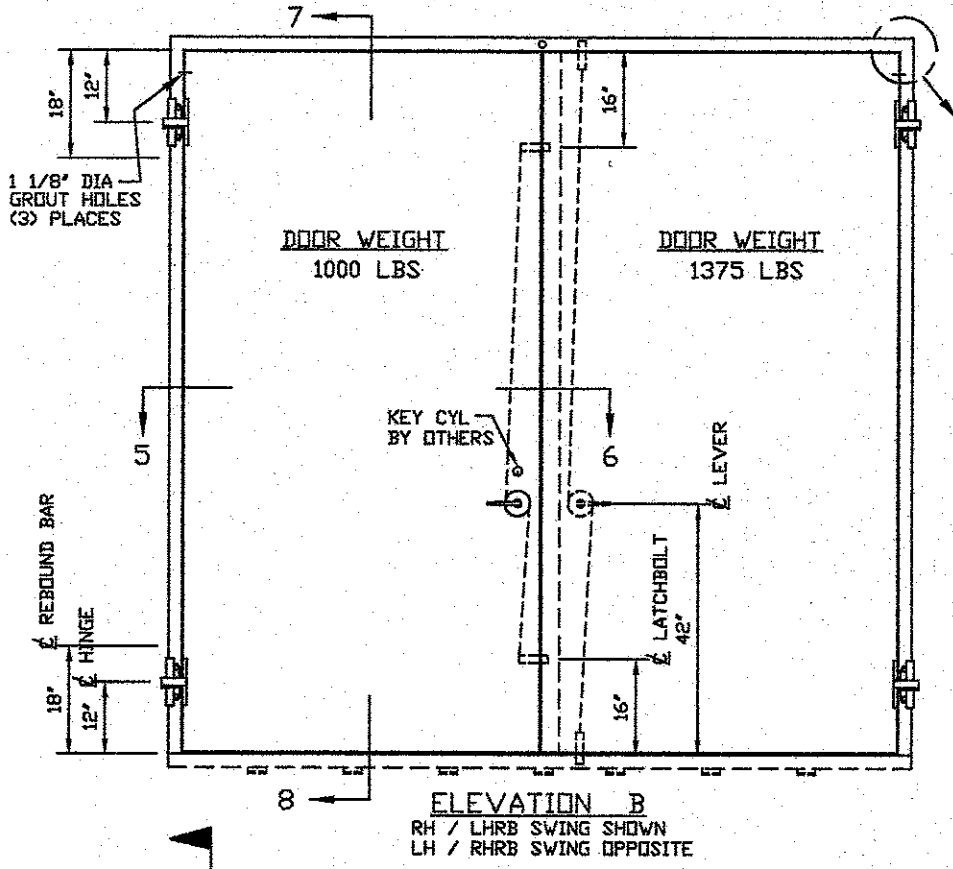
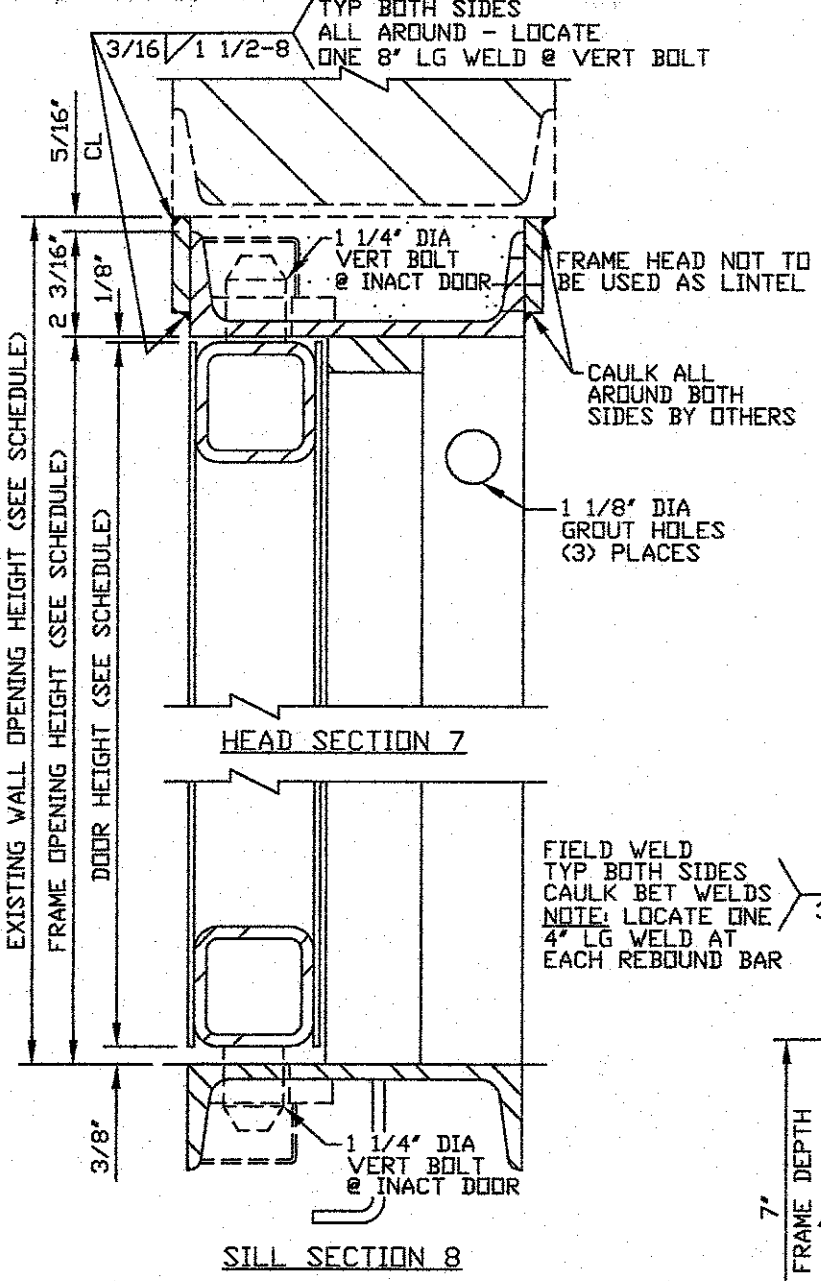
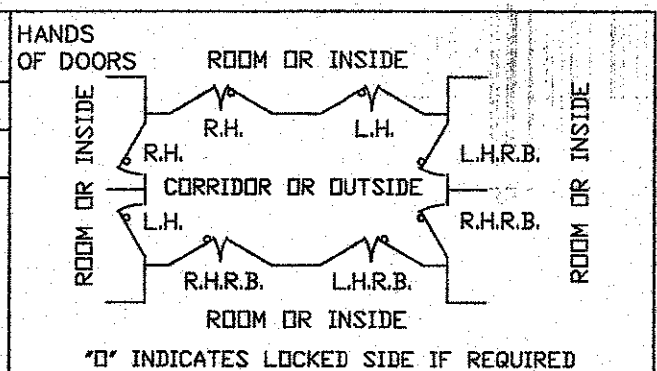
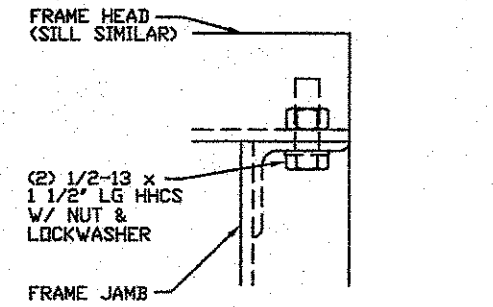


QUAN.	MARK NO	HAND	LOCATION		EXISTING WALL OPNG		FRAME OPNG		DOOR SIZE		DOOR ELEV	SECTIONS				REMARKS
			HINGE SIDE	STOP SIDE	WIDTH	HEIGHT	WIDTH	HEIGHT	WIDTH	HEIGHT		HINGE	STRIKE	HEAD	SILL	
1 PR	103A	RHRB ACTIVE	EXTERIOR	INTERIOR	125"	120"	120"	117 1/2"	(2) @ 59 3/4"	117"	B	5	6	7	8	

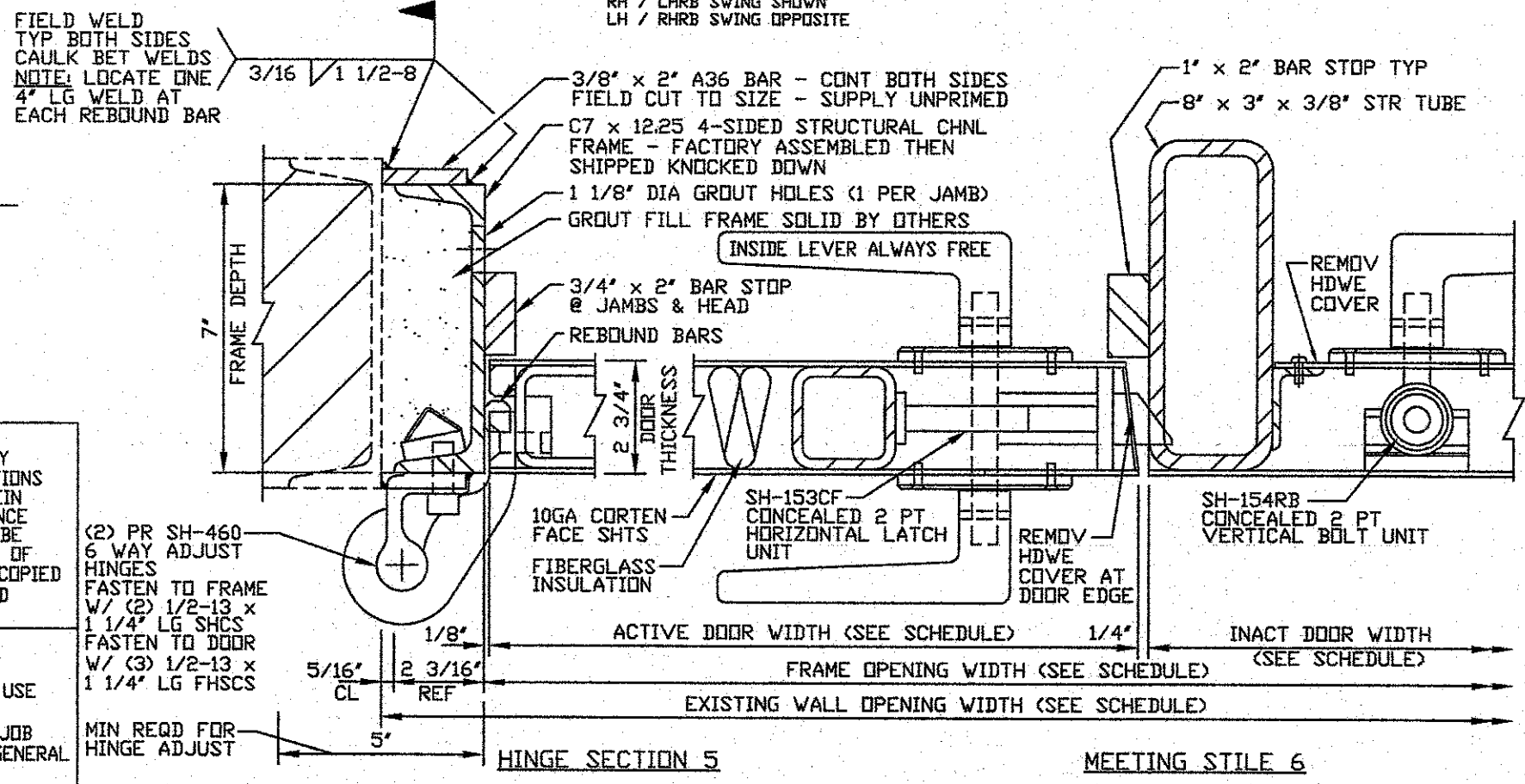


IMPORTANT NOTE:
WALL MUST BE CAPABLE OF SUPPORTING 90 LB/IN PER JAMB IN THE SEATING DIRECTION AND UNSEATING CONCENTRATED LOADS AS FOLLOWS:
AT VERT BOLTS 12,042 LBS
AT REBOUND BARS 4,814 LBS

- FRAME INSTALLATION**
1. PROPERLY BRACE AND SUPPORT FRAME DURING INSTALLATION.
 2. JAMBS MUST BE PLUMB.
 3. HEAD MUST BE LEVEL.
 4. ALL DIMENSIONS TO BE WITHIN 1/16\".
 5. DIAGONAL DIMENSIONS TO BE TO BE WITHIN 1/8\".




- NOTES:**
1. DESIGN PRESSURE: 3.0 PSI STATIC EQUIVALENT PRESSURE WITH 100% REBOUND
 2. FIRE RATING: NONE
UL FIRE LABEL CONSTRUCTION- UNIT CANNOT BEAR UL FIRE LABEL DUE TO OVERSIZED CONSTRUCTION
 3. FINISH: KEM KROMIK GREY PRIMER
 4. HARDWARE BY PDI:
(2) PR SH-460 6 WAY ADJUST HINGES x USP FINISH
(1) SH-153CF 2 PT HORIZONTAL HARDWARE LEVER x LEVER TRIM x US32D FINISH (LESS CYL) @ ACTIVE DOOR
FUNCTION: SIM TO F05 CLASSROOM
(1) SH-154RB 2 PT VERTICAL HARDWARE LEVER x NO EXT TRIM x US32D FINISH
FUNCTION: PASSAGE (INACTIVE DOOR)
 5. HARDWARE BY OTHERS:
(1) RIM KEY CYLINDER SHIP TO PDI FOR FACTORY INSTALLATION



NOTICE
THIS IS A CONFIDENTIAL DISCLOSURE LOANED BY PROTECTIVE DOOR IND. SUBJECT TO THE CONDITIONS THAT IT AND THE INFORMATION EMBODIED THEREIN SHALL BE USED ONLY FOR RECORD AND REFERENCE PURPOSES, SHALL NOT BE USED OR CAUSED TO BE USED IN ANYWAY PREJUDICIAL TO THE INTEREST OF THIS COMPANY, SHALL NOT BE REPRODUCED OR COPIED IN WHOLE OR IN PART, AND SHALL BE RETURNED UPON REQUEST.

GENERAL CONDITIONS
P.D.I. WILL NOT BE LIABLE FOR ANY ERRORS OCCURRING TO OTHER TRADES THROUGH THE USE OF THIS DRAWING.
CONTRACTOR TO CHECK ALL DIMENSIONS AT JOB AS P.D.I. ASSUMES NO RESPONSIBILITY FOR GENERAL BUILDING DIMENSIONS.

(2) PR SH-460 6 WAY ADJUST HINGES FASTEN TO FRAME W/ (2) 1/2-13 x 1 1/4\"/>

DATE	MK	DESCRIPTION	BY
REVISIONS			
CUSTOMER:			
PROJECT:			
 PROTECTIVE DOOR INDUSTRIES HARVEY, ILLINOIS 60426			
TITLE: DB-10 PAIR BLAST RESISTANT DOOR AND FRAME			
DWG BY	LF	CHKD BY	
DATE	9/30/10	DATE	
SCALE		QA	
DWG NO.	1893-10	SHT NO.	2

PLOT SCALE 1=4
1893-2