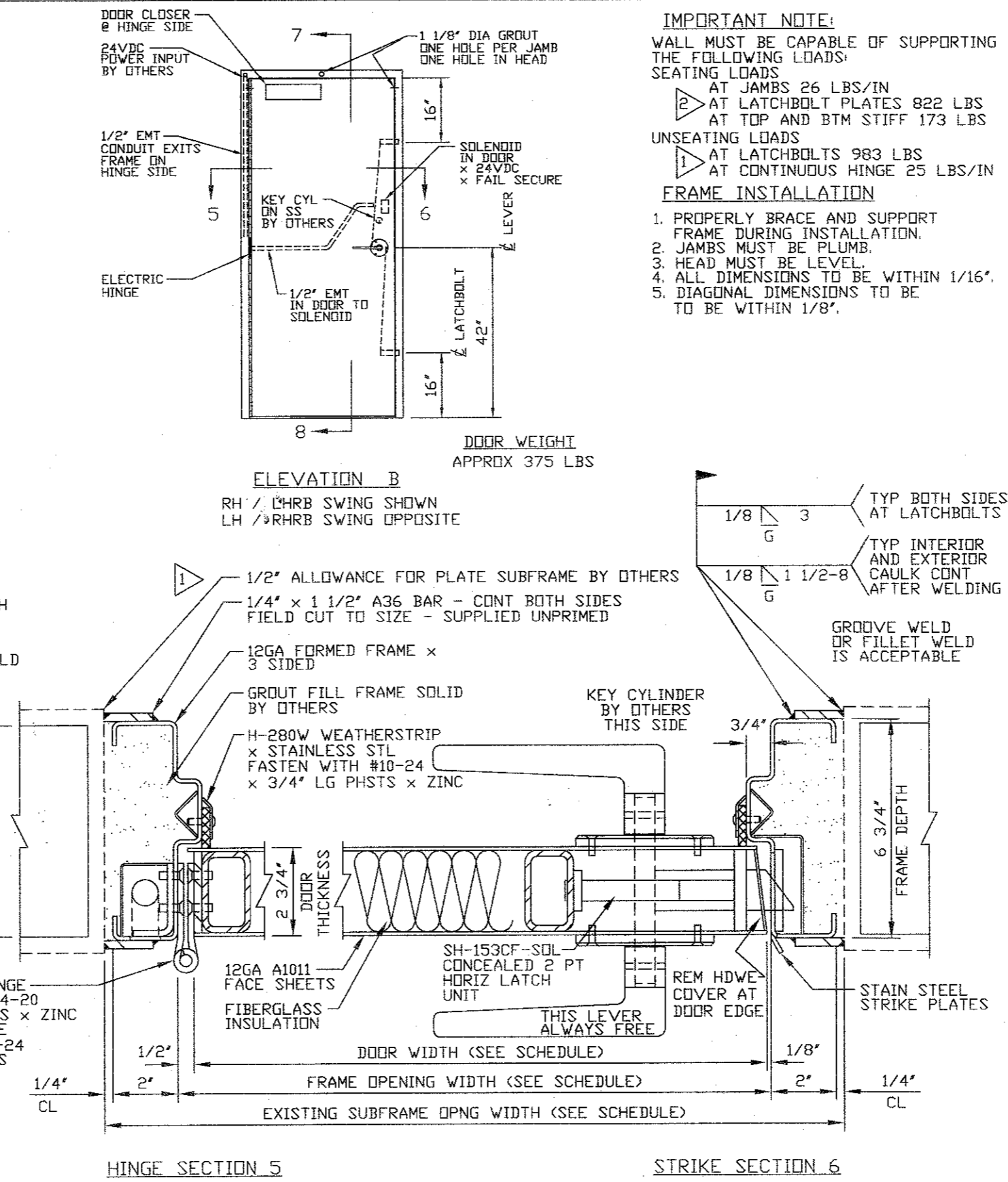
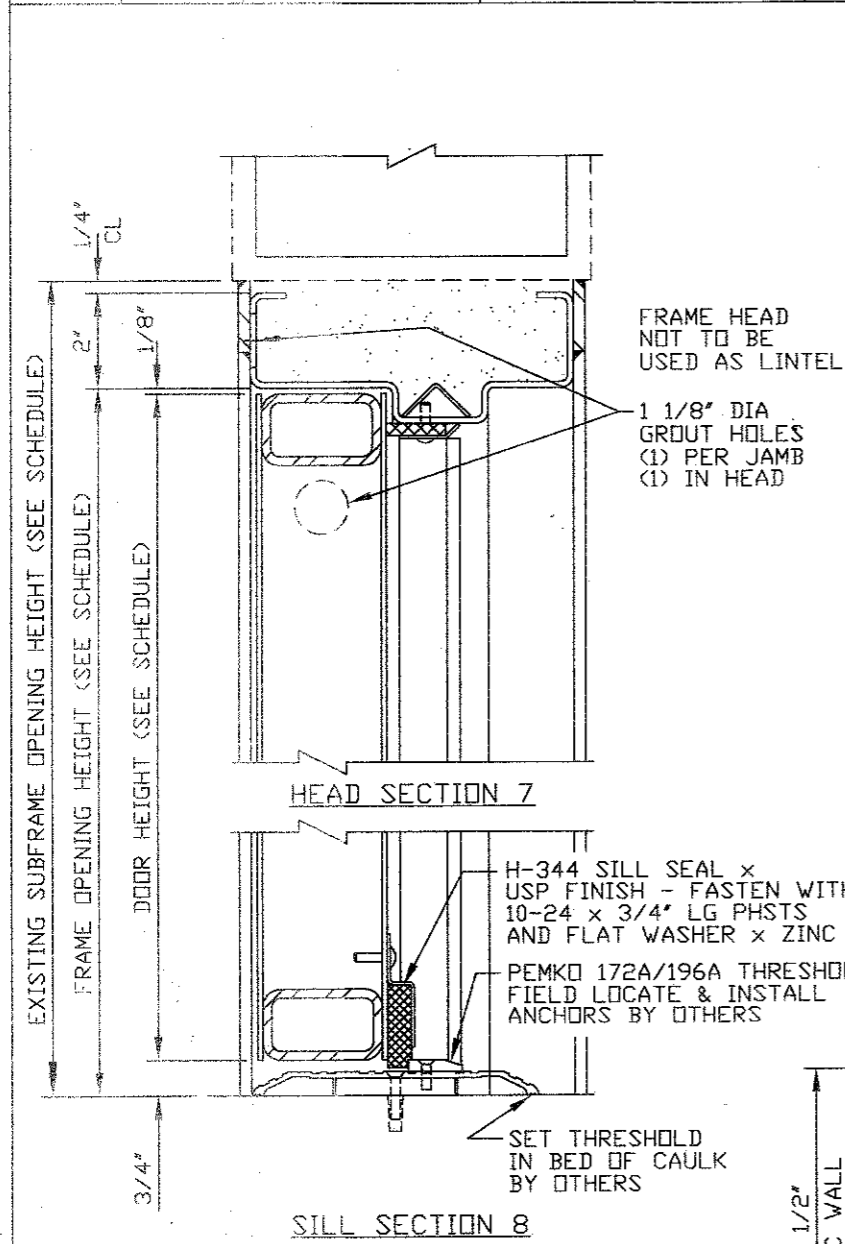
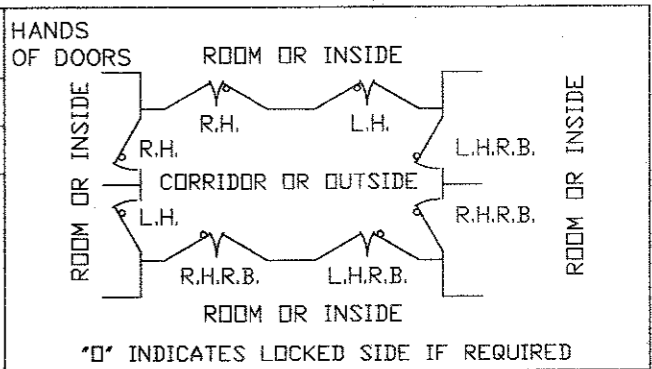


QUAN.	MARK NO	HAND	LOCATION		EXISTING WALL OPNG		FRAME OPNG		DOOR SIZE		DOOR ELEV	SECTIONS				REMARKS	
			HINGE SIDE	STOP SIDE	WIDTH	HEIGHT	WIDTH	HEIGHT	WIDTH	HEIGHT		HINGE	STRIKE	HEAD	SILL		
1	SGL	620	LH	VESTIBULE	STAIRS	39 1/2"	85 3/4"	35"	83 1/2"	34 3/8"	82 5/8"	B	5	6	7	8	



IMPORTANT NOTE:
WALL MUST BE CAPABLE OF SUPPORTING THE FOLLOWING LOADS:
SEATING LOADS
② AT JAMBS 26 LBS/IN
AT LATCHBOLT PLATES 822 LBS AT TOP AND BTM STIFF 173 LBS
UNSEATING LOADS
① AT LATCHBOLTS 983 LBS
AT CONTINUOUS HINGE 25 LBS/IN

FRAME INSTALLATION

1. PROPERLY BRACE AND SUPPORT FRAME DURING INSTALLATION.
2. JAMBS MUST BE PLUMB.
3. HEAD MUST BE LEVEL.
4. ALL DIMENSIONS TO BE WITHIN 1/16".
5. DIAGONAL DIMENSIONS TO BE TO BE WITHIN 1/8".

NOTES:

1. DESIGN PRESSURE: 185 PSF STATIC EQUIVALENT PRESSURE W/ 100% REBOUND SEE ANALYSIS CALCULATIONS
2. FIRE RATING: UL 1 1/2 HR B LABEL
3. FINISH: STD GREY PRIMER
4. HARDWARE BY PDI:
 - (1) CONTINUOUS HINGE-8GA STAIN STL LEAVES x 3/8" DIA SS PIN x BRUSHED FINISH
 - (1) ELECTRIC HINGE - HAGER #BB1199 ETW2-18 5" x 5" x .190" THK x US26D FINISH x (2) 18GA WIRES
 - (1) SH-153CF-SOL 2 PT HORIZONTAL HARDWARE LEVER x LEVER TRIM x US32D FINISH x 24VDC x (LESS CYL)

FUNCTION: SIM TO STOREROOM
POWER SUPPLY TO SOLENOID UNLOCKS EXTERIOR STOP SIDE LEVER
SOLENOID FAIL SECURE - HS LEVER ALWAYS FREE

- (1) YALE #4400 DOOR CLOSER x REG ARM x ALUM FIN
- (1) PDI H-280W WEATHERSTRIP x BRUSHED FIN
- (1) PDI H-344 SILL SWEEP x USP FINISH
- (1) PEMKO #196A THRESHOLD x ALUM
- (1) PEMKO #172A THRESHOLD x ALUM

5. HARDWARE BY OTHERS:
(1) MORTISED KEY CYLINDER - SHIP TO PDI FOR FACTORY INSTALLATION IF POSSIBLE
(1) CARD KEY READER
(1) LOT ANY HARDWARE NOT LISTED ABOVE

DATE	MK	DESCRIPTION	BY
8/31/18	②	PER RETURNED COMMENTS	MF
8/27/18	①	PER RETURNED DWGS	MF

REVISIONS

CUSTOMER:

PROJECT:

PROTECTIVE DOOR INDUSTRIES
HARVEY, ILLINOIS 60426

TITLE			
DB-200 SGL BLAST RESISTANT DOOR AND FRAME			
DWG BY	MF	CHKD BY	
DATE	8/20/18	DATE	
SCALE		QA	
DWG NO.	2351-18	SHT NO.	2

NOTICE

THIS IS A CONFIDENTIAL DISCLOSURE LOANED BY PROTECTIVE DOOR IND. SUBJECT TO THE CONDITIONS THAT IT AND THE INFORMATION EMBODIED THEREIN SHALL BE USED ONLY FOR RECORD AND REFERENCE PURPOSES, SHALL NOT BE USED OR CAUSED TO BE USED IN ANYWAY PREJUDICIAL TO THE INTEREST OF THIS COMPANY, SHALL NOT BE REPRODUCED OR COPIED IN WHOLE OR IN PART, AND SHALL BE RETURNED UPON REQUEST.

GENERAL CONDITIONS

P.D.I. WILL NOT BE LIABLE FOR ANY ERRORS OCCURRING TO OTHER TRADES THROUGH THE USE OF THIS DRAWING.
CONTRACTOR TO CHECK ALL DIMENSIONS AT JOB AS P.D.I. ASSUMES NO RESPONSIBILITY FOR GENERAL BUILDING DIMENSIONS.

PLOT SCALE: 1=4
2351-2

MASTER