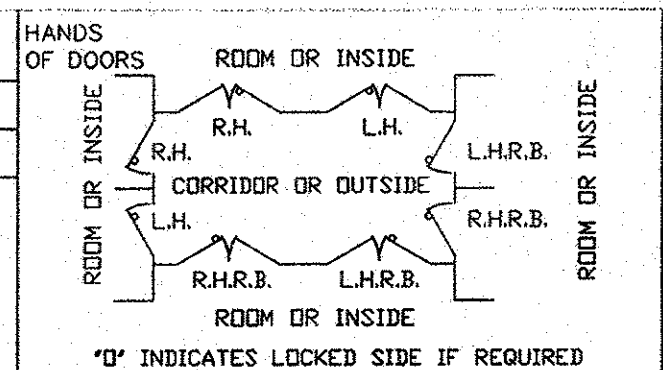
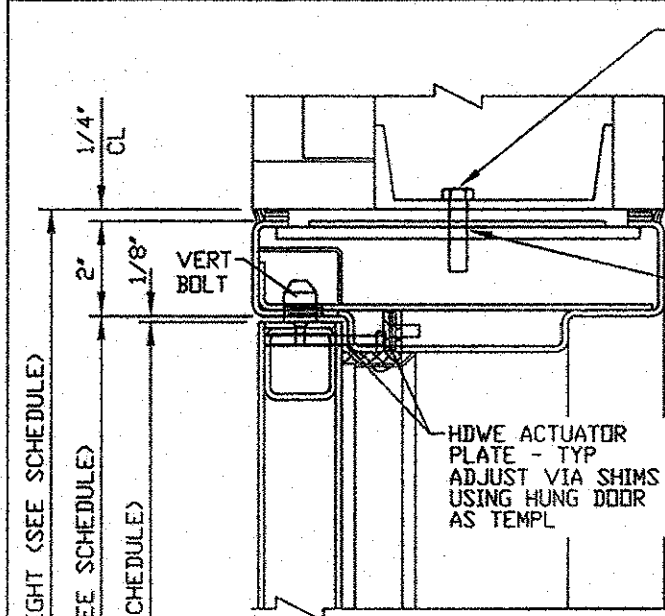


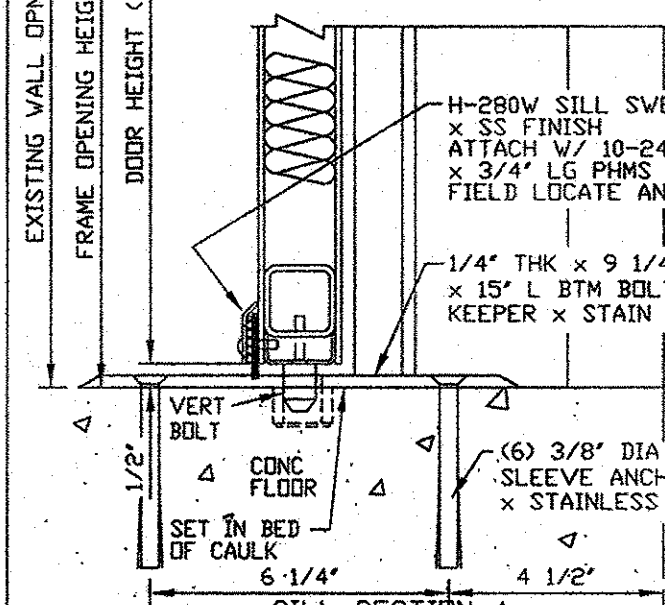
QUAN.	MARK NO	HAND	LOCATION		EXISTING WALL OPNG		FRAME OPNG		DOOR SIZE		DOOR ELEV	SECTIONS				REMARKS
			HINGE SIDE	STOP SIDE	WIDTH	HEIGHT	WIDTH	HEIGHT	WIDTH	HEIGHT		HINGE	STRIKE	HEAD	SILL	
1	358B	BOTH ACTIVE	AIRLOCK	SOLUTION PREP	76 1/2"	86 1/4"	72"	84"	35 1/2"	83 3/8"	A	1	2	3	4	



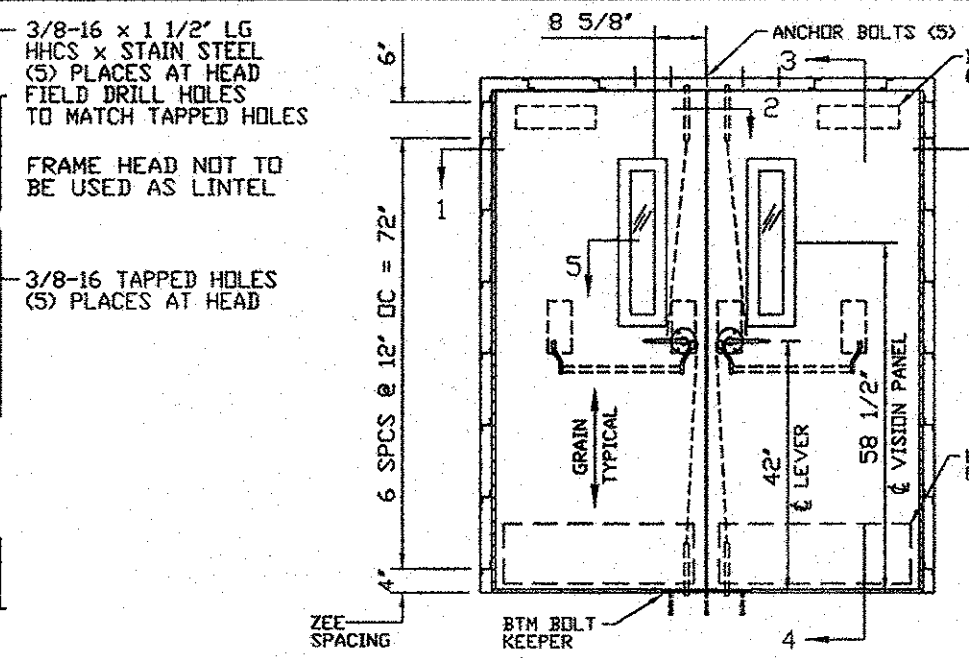
- NOTES:**
- DESIGN PRESSURE: 272 PSF UNSEATING STATIC EQUIVALENT PRESSURE W/ 100% REBOUND
 - FIRE RATING: NONE
 - DOORS AND FRAME CONSTRUCTED OF T304 STAINLESS STEEL
 - DOOR / FRAME FINISH: APPROX #4 BRUSHED STAINLESS STEEL
 - HARDWARE BY PDI:
 - (2) CONTINUOUS HINGES - 11GA SS LEAVES x 1/4" DIA STAIN STL PIN x BRUSHED FINISH
 - (2) SH-154P 2 PT VERTICAL HARDWARE LEVER x PANIC BAR x SS TRIM x US32D FINISH FUNCTION: PASSAGE
 - (2) YALE #4400 DOOR CLOSERS x PARALLEL ARM x ALUM FINISH
 - (1) PDI BOTTOM BOLT KEEPER x SS FINISH
 - (1) SET PDI H-280W WEATHERSTRIP x SS FINISH
 - (2) PDI H-280W SILL SWEEP x SS FINISH
 - (2) PDI H-280W ASTRAGAL x SS FINISH
 - (2) KICKPLATES - 10" H x SS FINISH
 - HARDWARE BY OTHERS: ANY HARDWARE NOT LISTED ABOVE



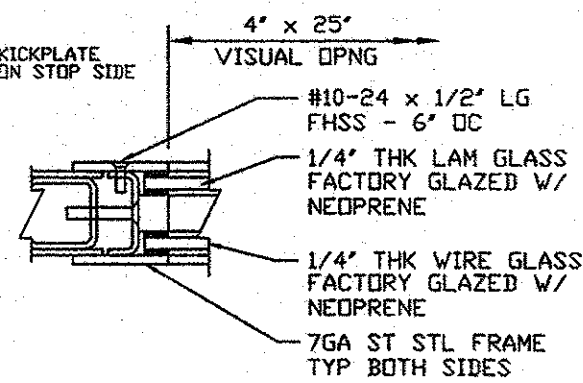
HEAD SECTION 3



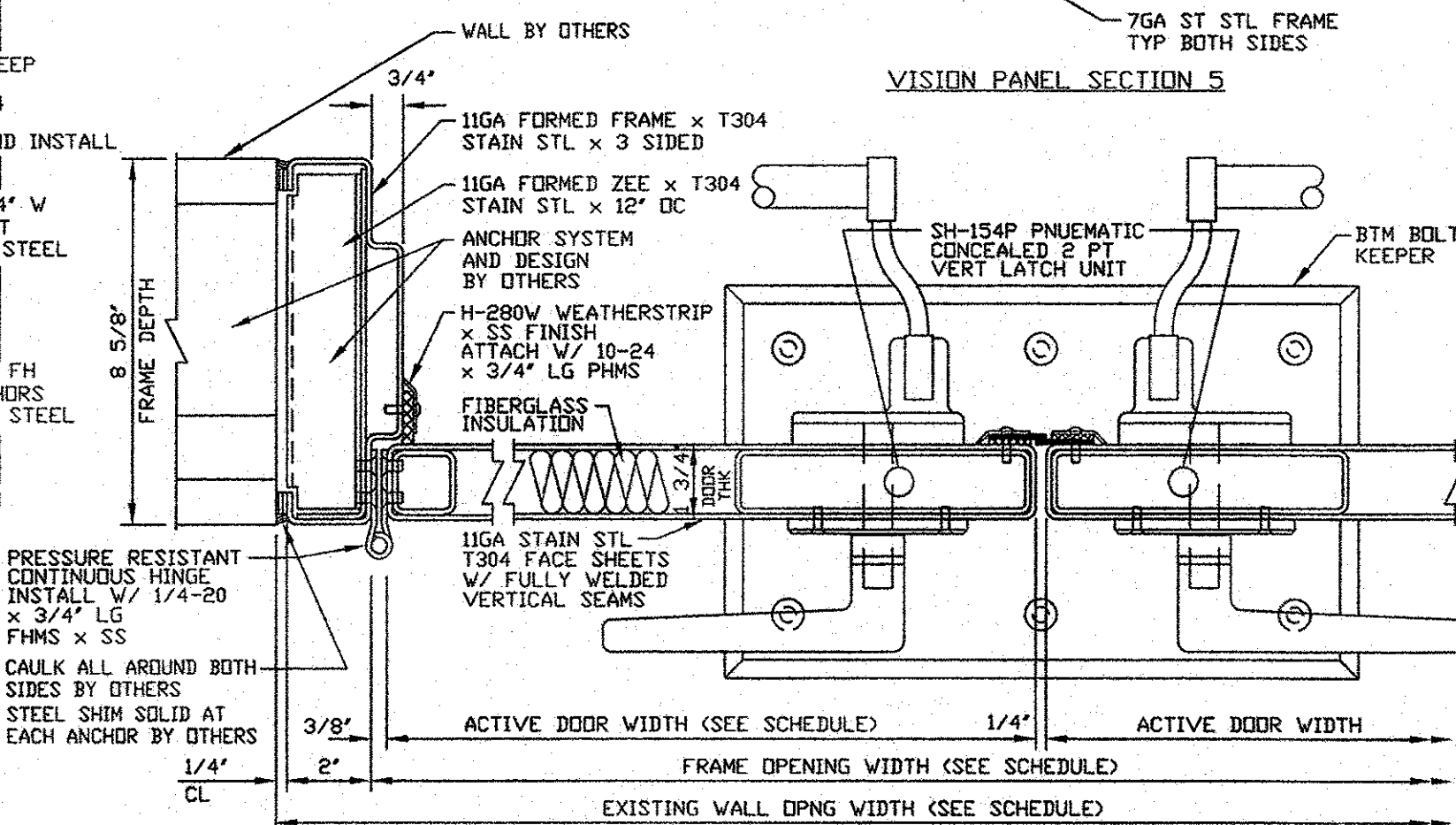
SILL SECTION 4



ELEVATION A
BOTH LEAVES ACTIVE



VISION PANEL SECTION 5



HINGE SECTION 1

MEETING STILE SECTION 2

NOTICE
THIS IS A CONFIDENTIAL DISCLOSURE LOANED BY PROTECTIVE DOOR IND. SUBJECT TO THE CONDITIONS THAT IT AND THE INFORMATION EMBODIED THEREIN SHALL BE USED ONLY FOR RECORD AND REFERENCE PURPOSES. SHALL NOT BE USED OR CAUSED TO BE USED IN ANYWAY PREJUDICIAL TO THE INTEREST OF THIS COMPANY, SHALL NOT BE REPRODUCED OR COPIED IN WHOLE OR IN PART, AND SHALL BE RETURNED UPON REQUEST.

GENERAL CONDITIONS
P.D.I. WILL NOT BE LIABLE FOR ANY ERRORS OCCURRING TO OTHER TRADES THROUGH THE USE OF THIS DRAWING. CONTRACTOR TO CHECK ALL DIMENSIONS AT JOB AS P.D.I. ASSUMES NO RESPONSIBILITY FOR GENERAL BUILDING DIMENSIONS.

PRESSURE RESISTANT CONTINUOUS HINGE INSTALL W/ 1/4-20 x 3/4 LG FHMS x SS
CAULK ALL AROUND BOTH SIDES BY OTHERS
STEEL SHIM SOLID AT EACH ANCHOR BY OTHERS

DATE	MK	DESCRIPTION	BY
REVISIONS			
CUSTOMER:			
PROJECT:			
PROTECTIVE DOOR INDUSTRIES HARVEY, ILLINOIS 60426			
TITLE		DB-100-SS BLAST RESISTANT DOORS AND FRAME	
DWG BY	MF	CHKD BY	
DATE	11/1/16	DATE	
SCALE		QA	
DWG NO.	2258-16	SHT NO.	1

MASTER