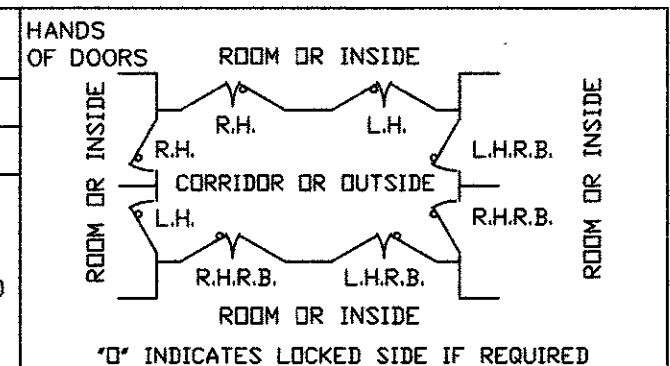


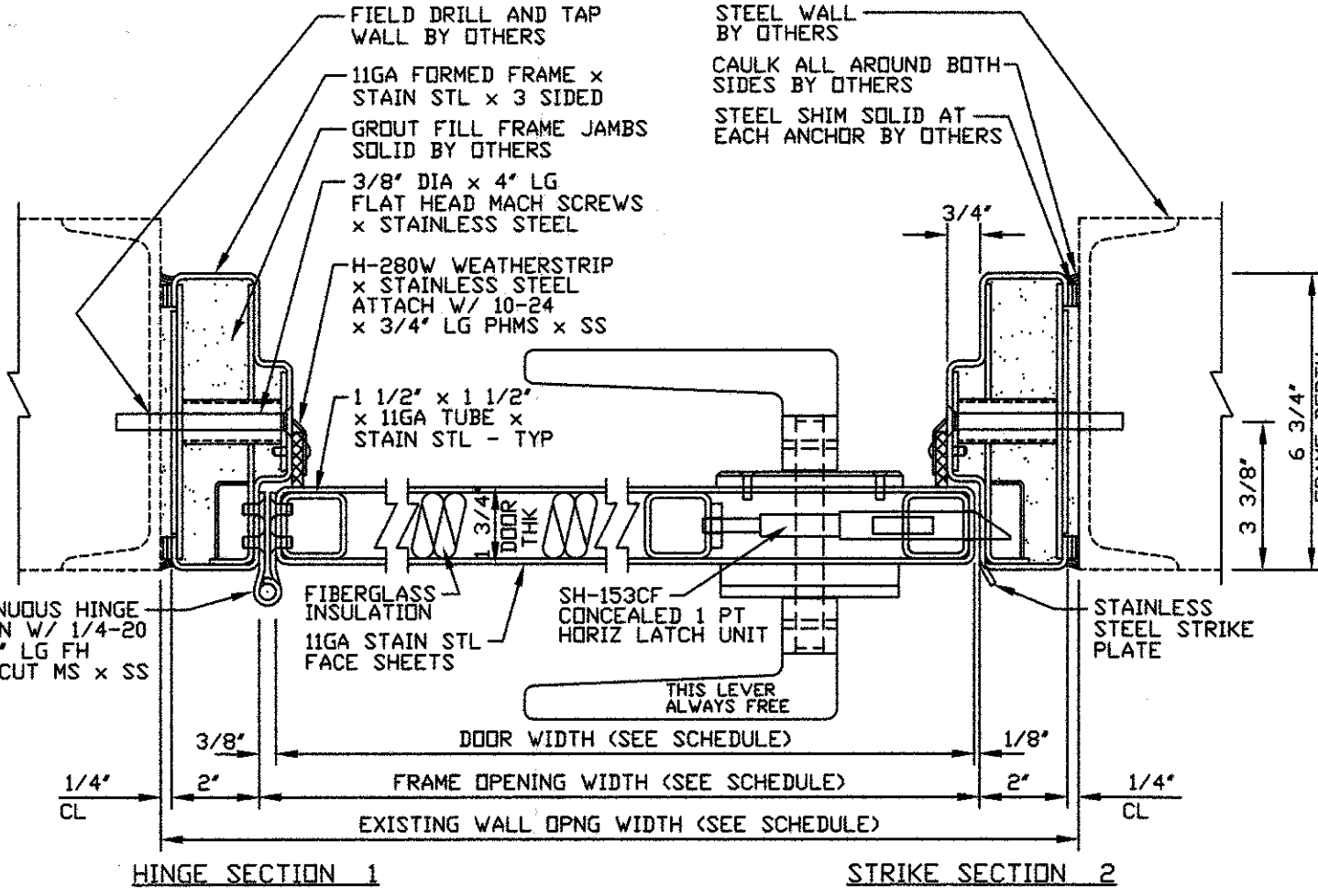
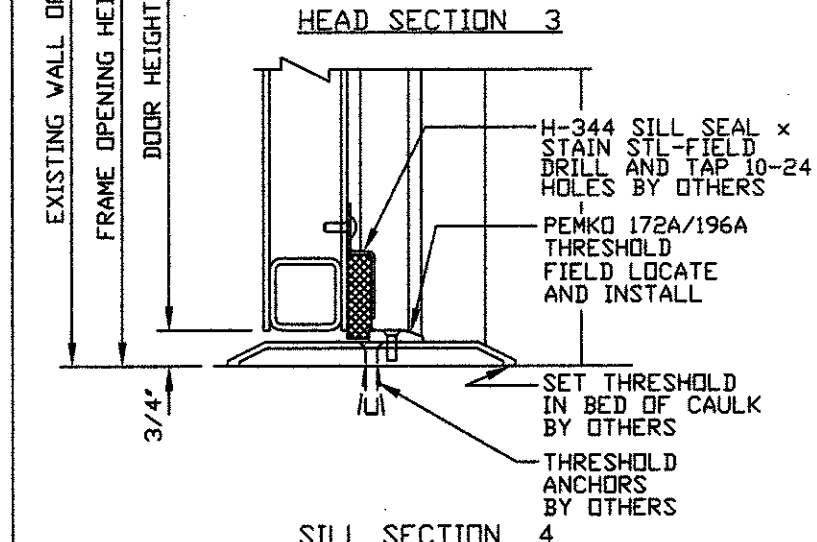
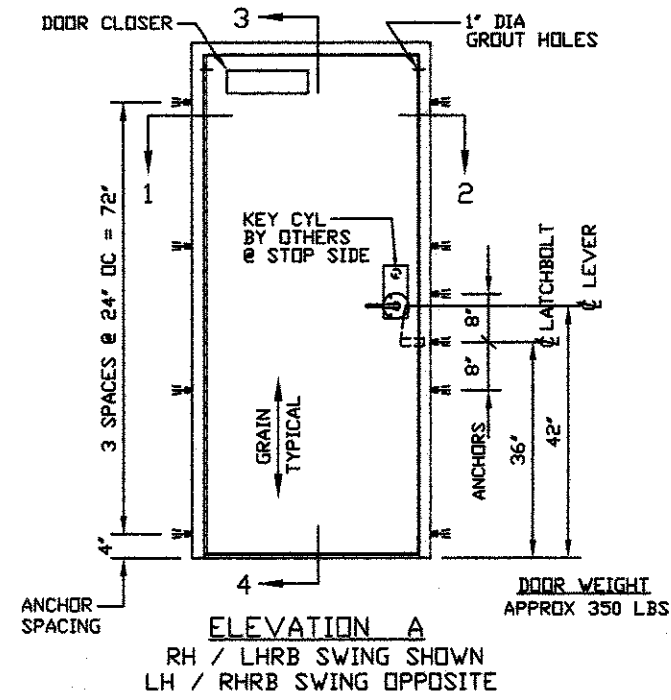
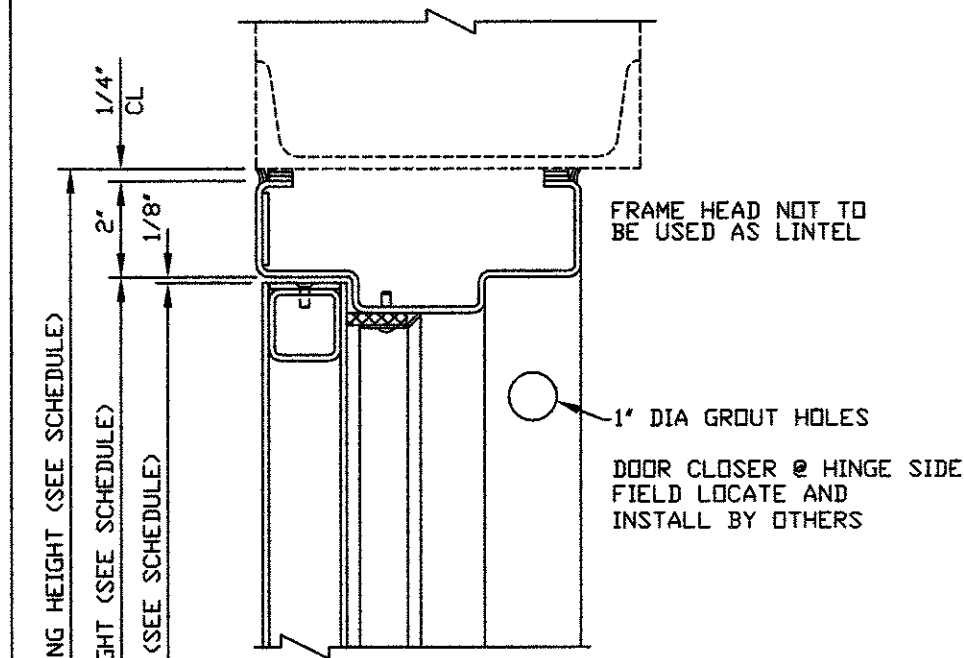
QUAN.	MARK NO	HAND	LOCATION		EXISTING WALL OPNG		FRAME OPNG		DOOR SIZE		DOOR ELEV	SECTIONS				REMARKS INITIAL PRESSURE
			HINGE SIDE	STOP SIDE	WIDTH	HEIGHT	WIDTH	HEIGHT	WIDTH	HEIGHT		HINGE	STRIKE	HEAD	SILL	
1	112	LH	LOWER PROCESS B - 111	BLDG 260	40 1/2"	86 1/4"	36"	84"	35 1/2"	83 1/8"	A	1	2	3	4	SEATING



IMPORTANT NOTE:
WALL MUST BE CAPABLE OF SUPPORTING 15 LB/IN PER JAMB IN THE SEATING AND UNSEATING DIRECTION WITH A CONCENTRATED LOAD AT THE LATCHBOLT OF 1,218 LBS IN THE UNSEATING DIRECTION.

- FRAME INSTALLATION**
1. PROPERLY BRACE AND SUPPORT FRAME DURING INSTALLATION.
 2. JAMBS MUST BE PLUMB.
 3. HEAD MUST BE LEVEL.
 4. ALL DIMENSIONS TO BE WITHIN 1/16".
 5. DIAGONAL DIMENSIONS TO BE TO BE WITHIN 1/8".

- NOTES:**
1. STATIC DESIGN PRESSURE: 100 PSF STATIC EQUIVALENT PRESSURE W/ 100% REBOUND
 2. FIRE RATING: NONE
 3. DOOR / FRAME FINISH: BRUSHED STAINLESS STEEL - APPROX #4 FINISH
 4. HARDWARE BY PDI:
 - (1) CONTINUOUS HINGE x DOOR HEIGHT 11GA LEAVES x 1/4" DIA PIN x 4 1/2" OPEN WIDTH x STN STL FINISH
 - (1) SH-153CF 1 PT HORIZONTAL HARDWARE LEVER x LEVER x KEY CYLINDER PREP x SS TRIM x US32D FINISH FUNCTION: BHMA 05 (SIM TO CLASSROOM)
 - (1) YALE #4400 DOOR CLOSER x ALUM FINISH
 - (1) PDI H-280W WEATHERSTRIP x STAIN STL
 - (1) PDI H-344 SILL SWEEP x STAIN STL
 - (1) PEMKO #172A / #196A THRESHOLD x ALUM
 5. HARDWARE BY OTHERS:
 - (1) MORTISED KEY CYLINDER - SEND TO PDI FOR FACTORY INSTALLATION ANY OTHER HARDWARE NOT LISTED ABOVE



NOTICE
THIS IS A CONFIDENTIAL DISCLOSURE LOANED BY PROTECTIVE DOOR IND. SUBJECT TO THE CONDITIONS THAT IT AND THE INFORMATION EMBODIED THEREIN SHALL BE USED ONLY FOR RECORD AND REFERENCE PURPOSES, SHALL NOT BE USED OR CAUSED TO BE USED IN ANYWAY PREJUDICIAL TO THE INTEREST OF THIS COMPANY, SHALL NOT BE REPRODUCED OR COPIED IN WHOLE OR IN PART, AND SHALL BE RETURNED UPON REQUEST.

GENERAL CONDITIONS
P.D.I. WILL NOT BE LIABLE FOR ANY ERRORS OCCURRING TO OTHER TRADES THROUGH THE USE OF THIS DRAWING.
CONTRACTOR TO CHECK ALL DIMENSIONS AT JOB AS P.D.I. ASSUMES NO RESPONSIBILITY FOR GENERAL BUILDING DIMENSIONS.

DATE	MK	DESCRIPTION	BY
REVISIONS			
CUSTOMER:			
PROJECT:			
PROTECTIVE DOOR INDUSTRIES HARVEY, ILLINOIS 60426			
TITLE DB-100-SS SGL BLAST RESISTANT DOOR AND FRAME			
DWG BY	MF	CHKD BY	
DATE	8/29/14	DATE	
SCALE		QA	
DWG NO.	2141-14	SHT NO.	1

PLOT SCALE 1=4

MASTER