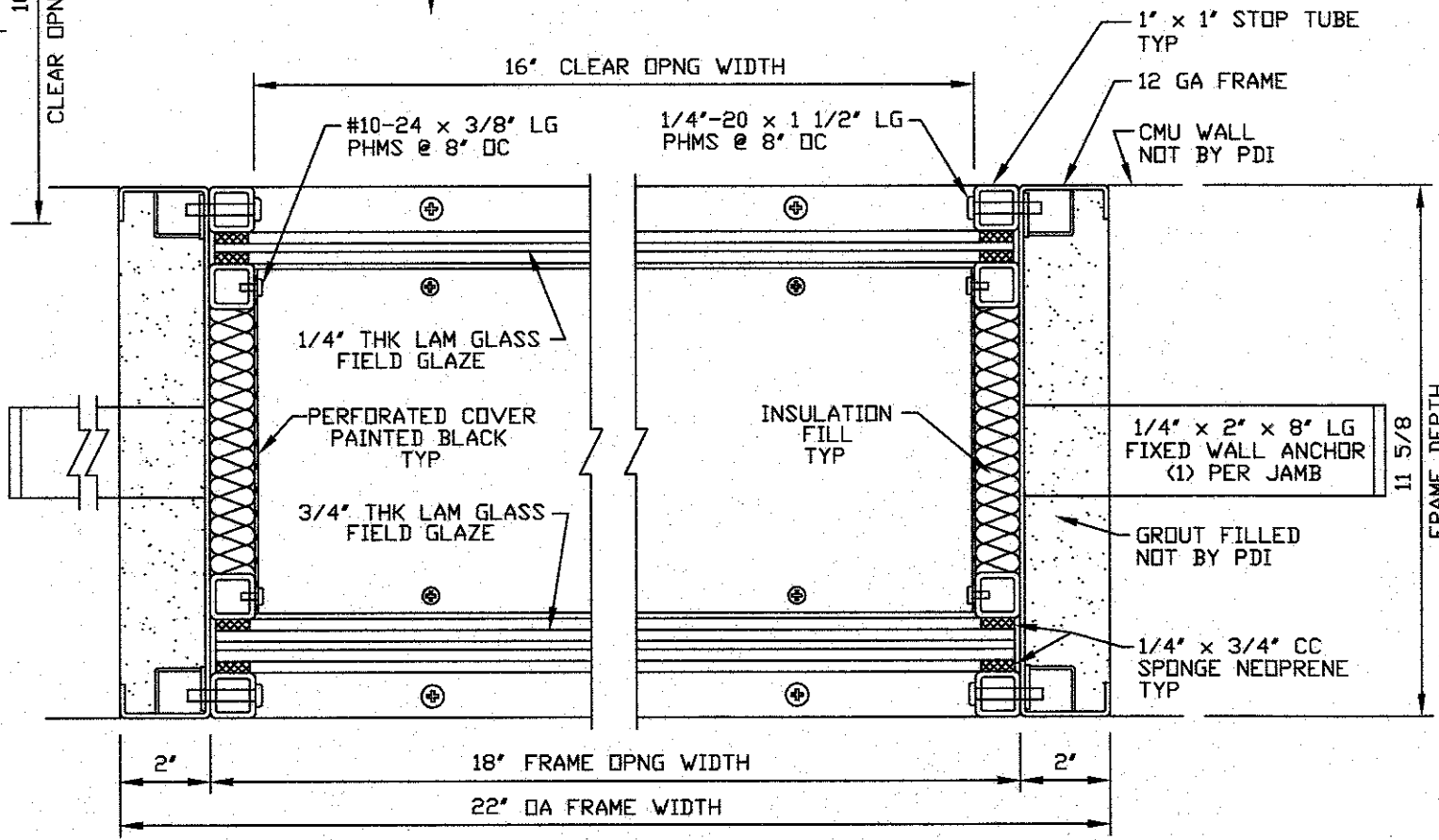
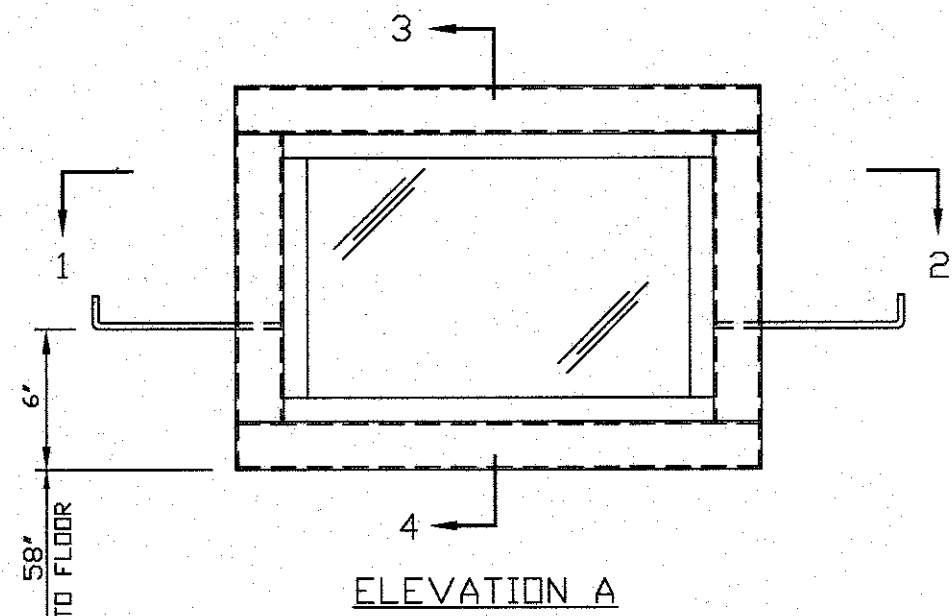
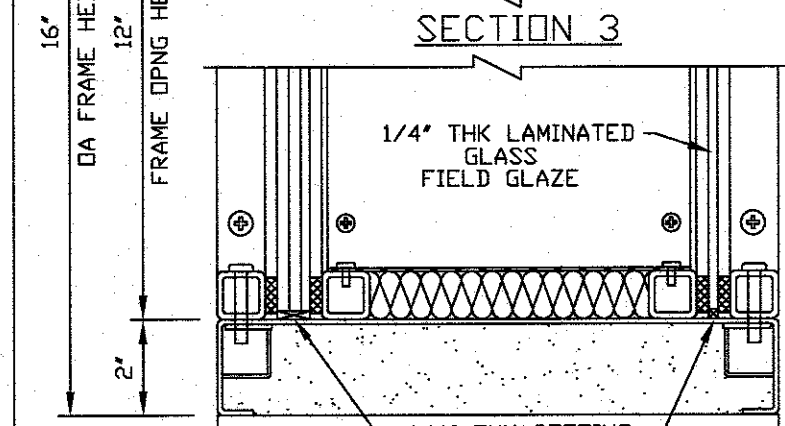
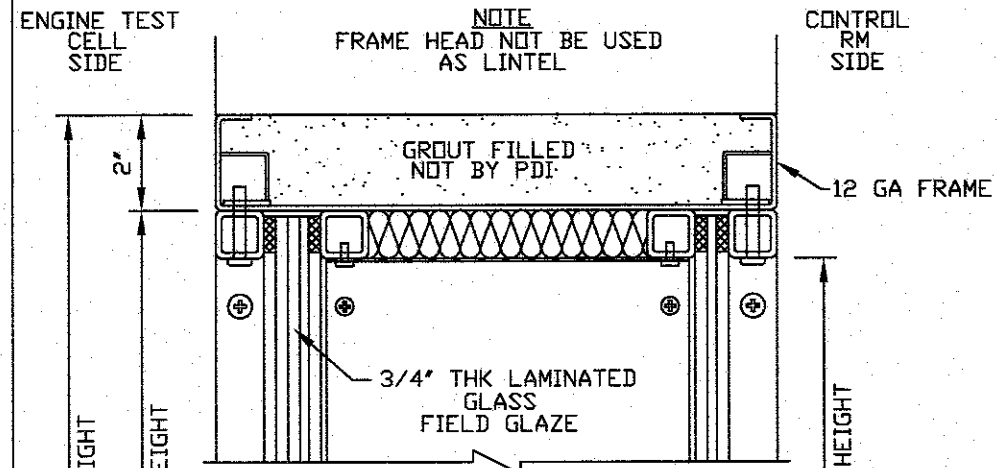
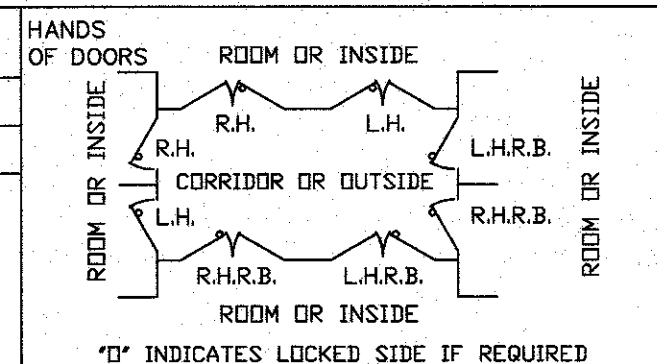


QUAN.	MARK NO	HAND	LOCATION		EXISTING WALL OPNG		DA FRAME SIZE		VISUAL OPNG		DOOR ELEV.	SECTIONS				REMARKS
			PRESSURE	VIEWING	WIDTH	HEIGHT	WIDTH	HEIGHT	WIDTH	HEIGHT		JAMB	JAMB	HEAD	SILL	
2		-	ENGINE TEST CELL	CONTROL RM	NA	NA	22'	16'	16'	10'	A	1	2	3	4	




NOTICE
 THIS IS A CONFIDENTIAL DISCLOSURE LOANED BY PROTECTIVE DOOR IND. SUBJECT TO THE CONDITIONS THAT IT AND THE INFORMATION EMBODIED THEREIN SHALL BE USED ONLY FOR RECORD AND REFERENCE PURPOSES, SHALL NOT BE USED OR CAUSED TO BE USED IN ANYWAY PREJUDICIAL TO THE INTEREST OF THIS COMPANY, SHALL NOT BE REPRODUCED OR COPIED IN WHOLE OR IN PART, AND SHALL BE RETURNED UPON REQUEST.

GENERAL CONDITIONS
 P.D.I. WILL NOT BE LIABLE FOR ANY ERRORS OCCURRING TO OTHER TRADES THROUGH THE USE OF THIS DRAWING.
 CONTRACTOR TO CHECK ALL DIMENSIONS AT JOB AS P.D.I. ASSUMES NO RESPONSIBILITY FOR GENERAL BUILDING DIMENSIONS.

NOTES:
 1. DESIGN PRESURE: 100 PSF STATIC EQUIVALENT PRESSURE WITH 100% REBOUND
 2. ACOUSTICAL RATING: 53 STC
 3. FINISH: STD GREY PRIMER

DATE	MK	DESCRIPTION	BY
REVISIONS			
CUSTOMER:			
PROJECT:			


 PROTECTIVE DOOR INDUSTRIES
 HARVEY, ILLINOIS 60426

TITLE			
ENGINE TEST CELL WINDOWS			
DWG BY	MRP	CHKD BY	
DATE	1-2-97	DATE	
SCALE	NONE	QA	
DWG NO.	1155-96	SHT NO.	4

1155-4