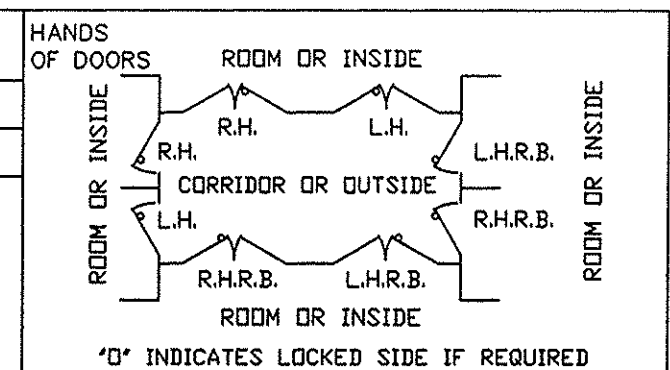
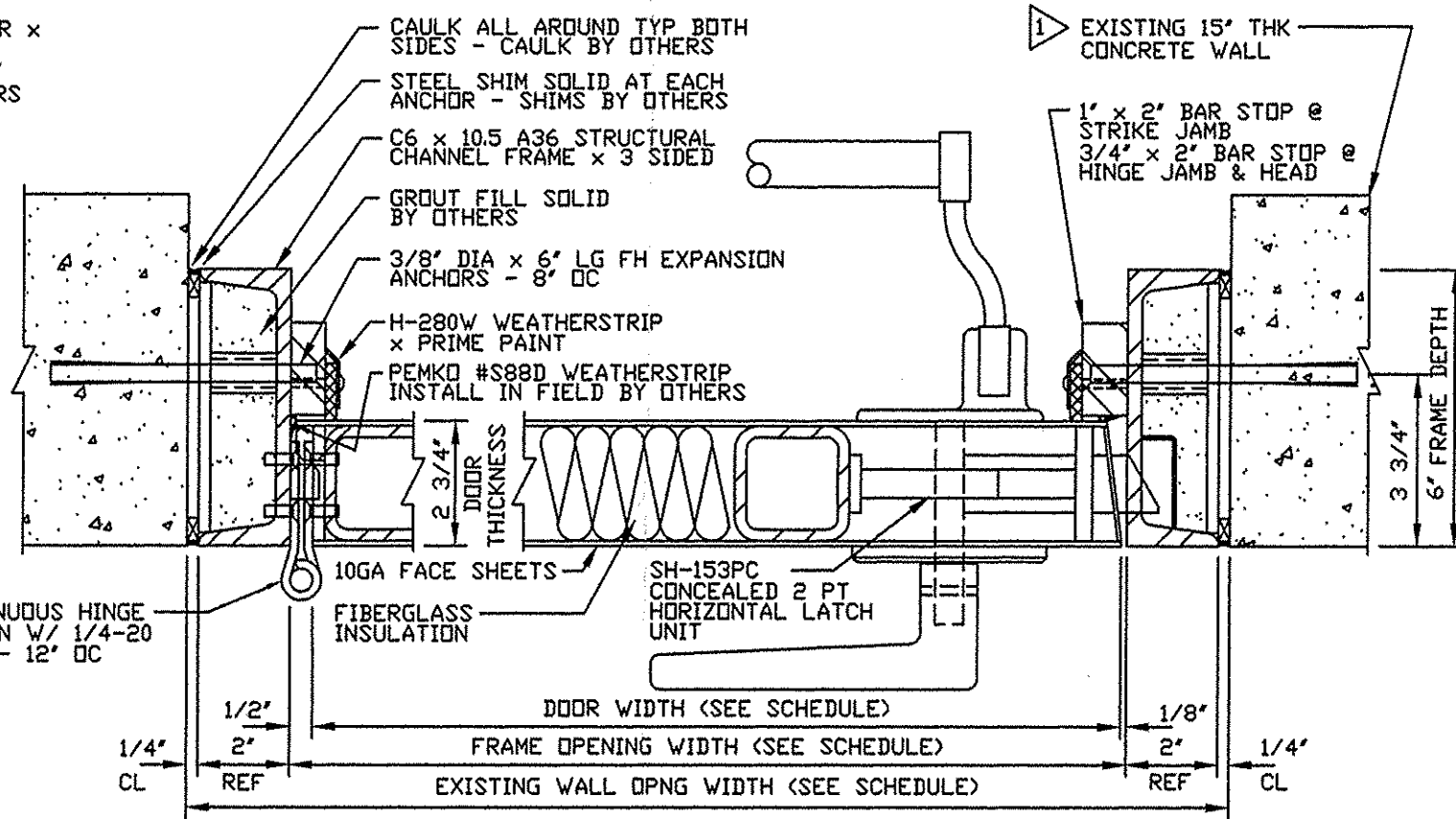
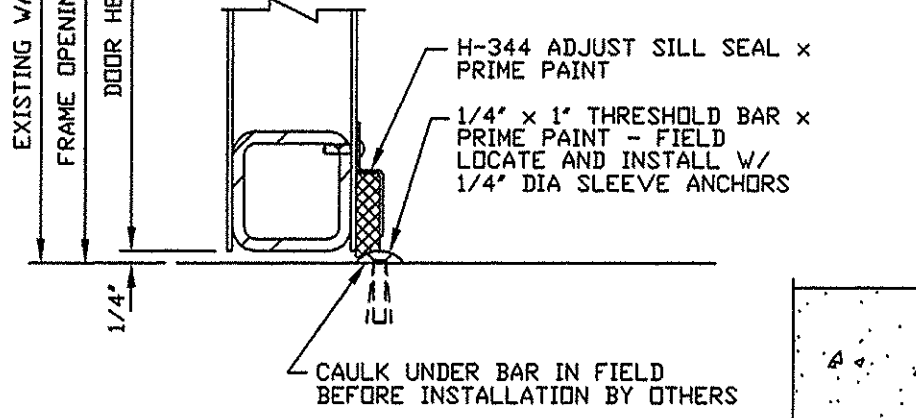
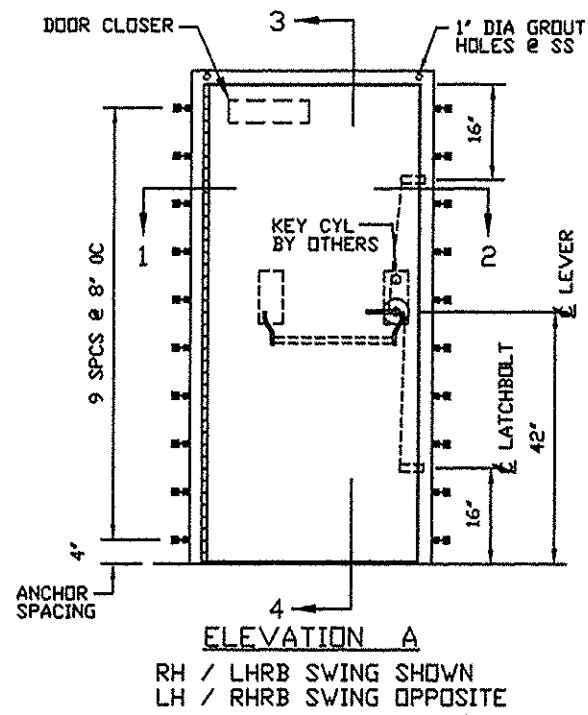
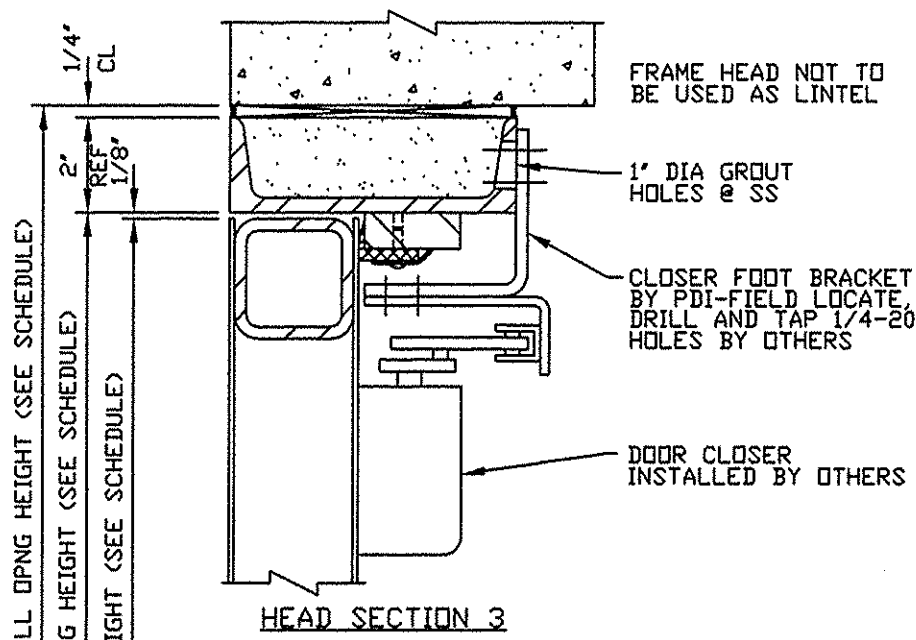


QUAN.	MARK NO	HAND	LOCATION		EXISTING WALL OPNG		FRAME OPNG		DOOR SIZE		DOOR ELEV	SECTIONS				REMARKS	
			HINGE SIDE	STOP SIDE	WIDTH	HEIGHT	WIDTH	HEIGHT	WIDTH	HEIGHT		HINGE	STRIKE	HEAD	SILL		
1	SGL	1	LHRB	CONTROL	TEST CELL	36'	83'	31 1/2'	80 3/4'	30 7/8'	80 3/8'	A	1	2	3	4	



**IMPORTANT NOTE!**  
WALL MUST BE CAPABLE OF SUPPORTING UNSEATING CONCENTRATED LOADS AS FOLLOWS:  
AT LATCHBOLTS 2914 LBS  
AT REBOUND BARS 2050 LBS

- FRAME INSTALLATION**
1. PROPERLY BRACE AND SUPPORT FRAME DURING INSTALLATION.
  2. JAMBS MUST BE PLUMB.
  3. HEAD MUST BE LEVEL.
  4. ALL DIMENSIONS TO BE WITHIN 1/16".
  5. DIAGONAL DIMENSIONS TO BE WITHIN 1/8".



**NOTICE**  
THIS IS A CONFIDENTIAL DISCLOSURE LOANED BY PROTECTIVE DOOR IND. SUBJECT TO THE CONDITIONS THAT IT AND THE INFORMATION EMBODIED THEREIN SHALL BE USED ONLY FOR RECORD AND REFERENCE PURPOSES, SHALL NOT BE USED OR CAUSED TO BE USED IN ANYWAY PREJUDICIAL TO THE INTEREST OF THIS COMPANY, SHALL NOT BE REPRODUCED OR COPIED IN WHOLE OR IN PART, AND SHALL BE RETURNED UPON REQUEST.

**GENERAL CONDITIONS**  
P.D.I. WILL NOT BE LIABLE FOR ANY ERRORS OCCURRING TO OTHER TRADES THROUGH THE USE OF THIS DRAWING.  
CONTRACTOR TO CHECK ALL DIMENSIONS AT JOB AS P.D.I. ASSUMES NO RESPONSIBILITY FOR GENERAL BUILDING DIMENSIONS.

- NOTES:**
1. ACOUSTICAL RATING: 40 STC
  2. 4 PSI STATIC EQUIVALENT PRESSURE UNSEATING ONLY
  3. BALLISTIC RATING: SPSA .44 MAGNUM UL LEVEL III
  4. UL 3 HR (A) FIRE LABEL
  5. FINISH: STD GREY PRIMER
  6. HARDWARE BY PDI:  
(1) CONTINUOUS HINGE x PRIME PAINT FINISH x DOOR HEIGHT - 7GA STEEL LEAVES x 1/2" DIA STAIN STL PIN  
(1) SH-153PC 2 PT HORIZONTAL HARDWARE LEVER x EXIT BAR TRIM x US32D FINISH (LESS CYL)  
FUNCTION: SIM TO 08  
(1) YALE #4400 CLOSER x PARALLEL ARM x ALUM FIN
  7. HARDWARE BY OTHERS:  
(1) RIM KEY CYLINDER

DATE	MK	DESCRIPTION	BY
4/20/05	1	PER APPROVED DWG	MF

**REVISIONS**

CUSTOMER:

PROJECT:

PROTECTIVE DOOR INDUSTRIES  
HARVEY, ILLINOIS 60426

TITLE DB-10 SGL FLUSH BLAST RESISTANT DOOR AND FRAME	
DWG BY MF	CHKD BY
DATE 4/12/05	DATE
SCALE	QA
DWG NO. 1600-05	SHT NO. 1

PLOT SCALE 1/4" = 1'-0"