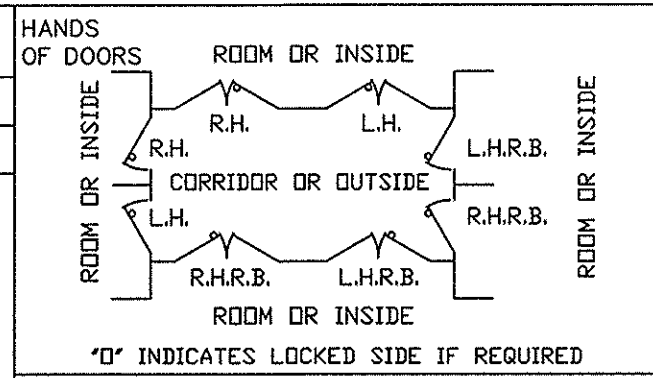


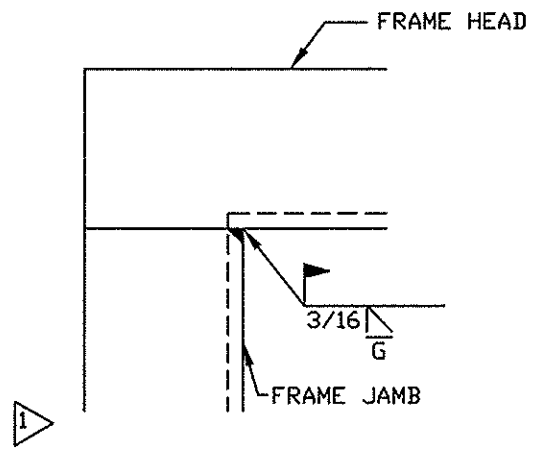
QUAN.	MARK NO	HAND	LOCATION		EXISTING WALL OPNG		FRAME OPNG		DOOR SIZE		DOOR ELEV	SECTIONS				REMARKS
			HINGE SIDE	STOP SIDE	WIDTH	HEIGHT	WIDTH	HEIGHT	WIDTH	HEIGHT		HINGE	STRIKE	HEAD	SILL	
1	1036C	LHRB ACTIVE	STAGING 1036	WING SPACE 1035	NA	NA	108'	248'	35 5/8" ACTIVE	247 7/16"	A	1	2 / 5	3	4	
							(9'-0")	(20'-8")	31 3/4" / 39 5/8"	(20'-7 7/16")						



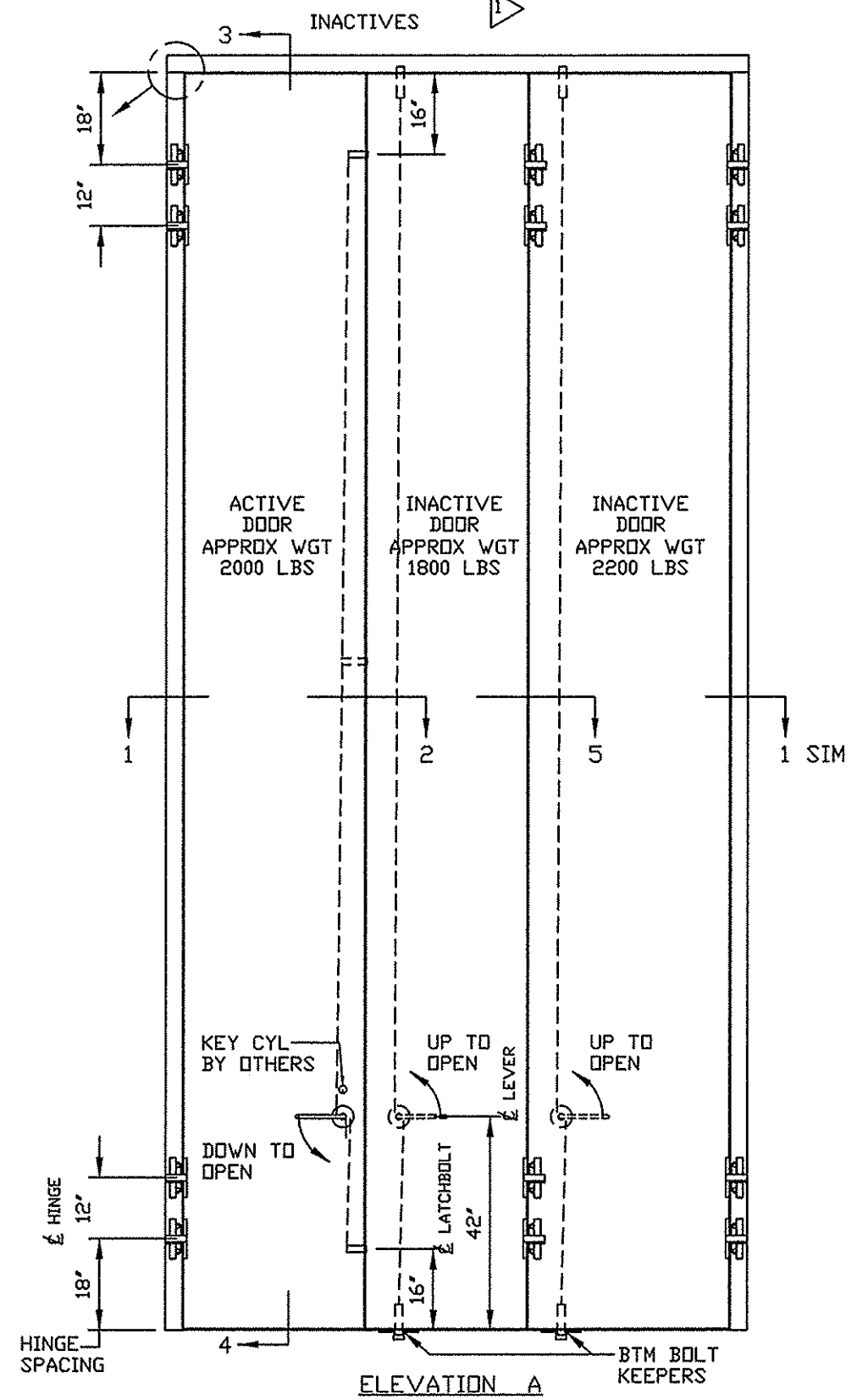
- NOTES:
- 50 STC ACOUSTICAL RATING
  - FINISH: STD GREY PRIMER
  - HARDWARE BY PDI (PER OPENING)
    - (6) PR SH-460 6 WAY ADJUST HINGES x USP FINISH
    - (1) SH-153CF 3 PT HORIZONTAL HARDWARE LEVER x LEVER TRIM x US32D FINISH (LESS CYL) @ ACTIVE DOOR  
FUNCTION: SIM TO CLASSROOM
    - (2) SH-154RB 2 PT VERTICAL HARDWARE LEVER x NO EXT. TRIM x US32D FINISH @ INACTIVE DOOR
  - HARDWARE BY OTHERS:
    - (1) RIM KEY CYLINDER  
SHIP TO PDI FOR FACTORY INSTALLATION

FRAME INSTALLATION BY OTHERS

- PROPERLY BRACE AND SUPPORT FRAME DURING INSTALLATION.
- JAMBS MUST BE PLUMB.
- HEAD MUST BE LEVEL.
- ALL DIMENSIONS TO BE WITHIN 1/8".
- DIAGONAL DIMENSIONS TO BE TO BE WITHIN 1/4".



TYP FRAME CORNER DETAIL  
WELD IN FIELD BY OTHERS



ELEVATION A  
RH / LHRB ACTIVE SWING SHOWN  
LH / RHRB ACTIVE SWING OPPOSITE

**NOTICE**  
THIS IS A CONFIDENTIAL DISCLOSURE LOANED BY PROTECTIVE DOOR IND. SUBJECT TO THE CONDITIONS THAT IT AND THE INFORMATION EMBODIED THEREIN SHALL BE USED ONLY FOR RECORD AND REFERENCE PURPOSES, SHALL NOT BE USED OR CAUSED TO BE USED IN ANYWAY PREJUDICIAL TO THE INTEREST OF THIS COMPANY, SHALL NOT BE REPRODUCED OR COPIED IN WHOLE OR IN PART, AND SHALL BE RETURNED UPON REQUEST.

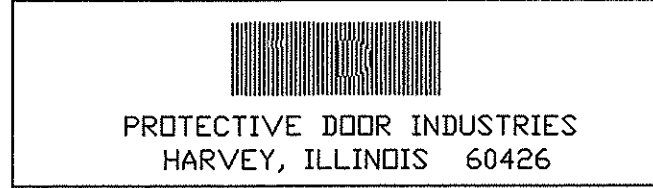
**GENERAL CONDITIONS**  
P.D.I. WILL NOT BE LIABLE FOR ANY ERRORS OCCURRING TO OTHER TRADES THROUGH THE USE OF THIS DRAWING.  
CONTRACTOR TO CHECK ALL DIMENSIONS AT JOB AS P.D.I. ASSUMES NO RESPONSIBILITY FOR GENERAL BUILDING DIMENSIONS.

1/19/07	1	PER APPROVED DWG	MF
DATE	MK	DESCRIPTION	BY

REVISIONS

CUSTOMER:

PROJECT:

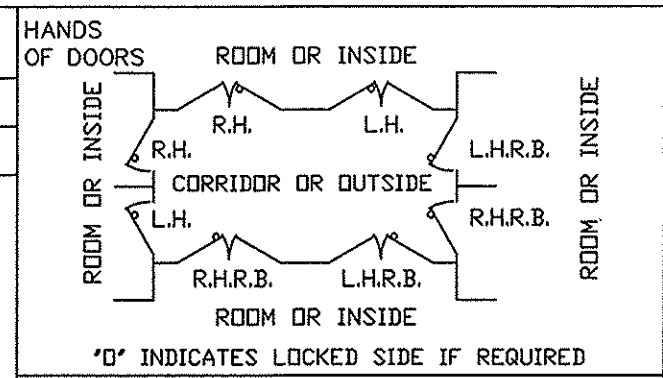


TITLE DS4-52L FLUSH TRI-FOLD ACOUSTICAL DOOR AND FRAME

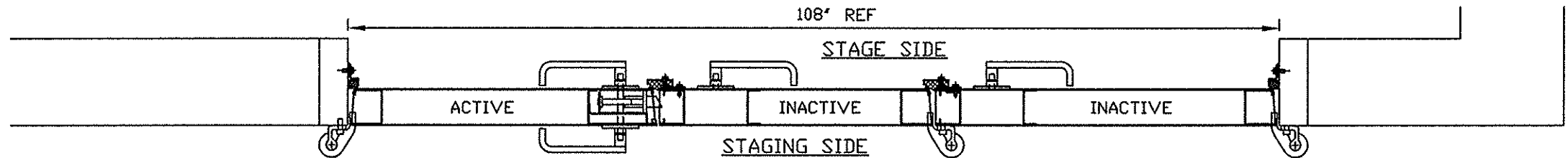
DWG BY	MF	CHKD BY	
DATE	4/28/06	DATE	
SCALE		QA	
DWG NO.	1631-06	SHT NO.	1

PLOT SCALE 1=32  
1631-1

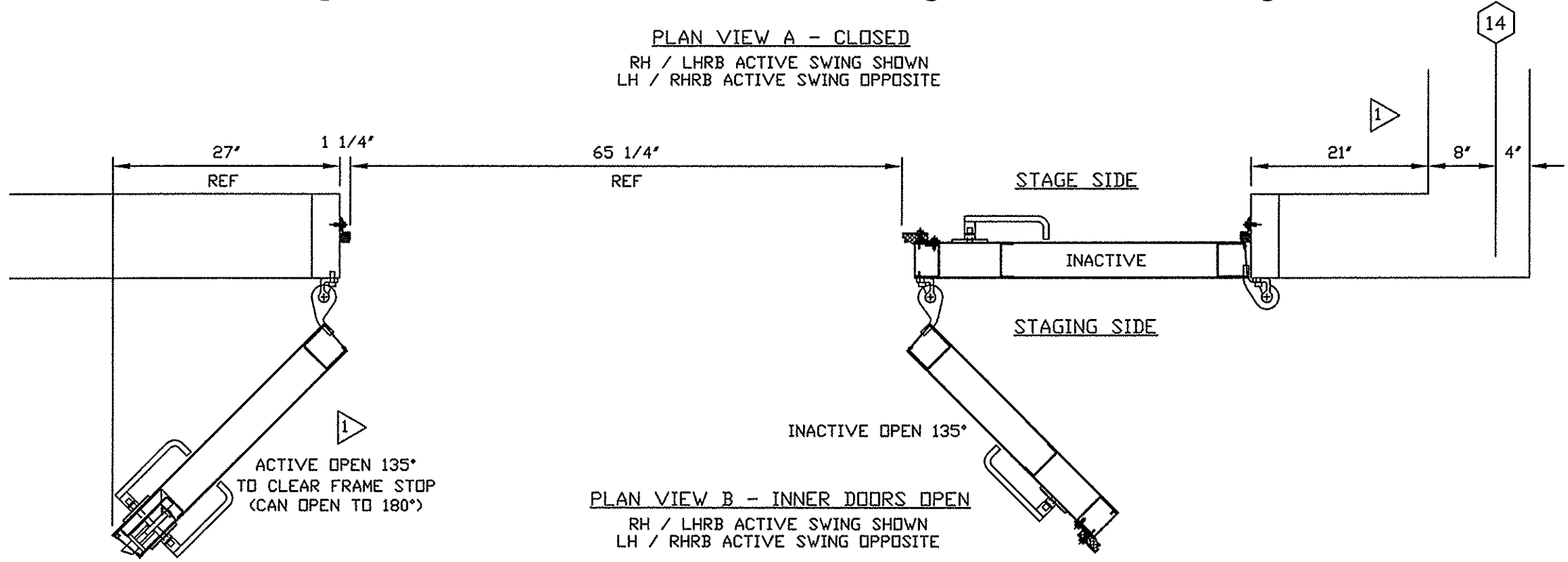
QUAN.	MARK NO	HAND	LOCATION		EXISTING WALL OPNG		FRAME OPNG		DOOR SIZE		DOOR ELEV	SECTIONS				REMARKS
			HINGE SIDE	STOP SIDE	WIDTH	HEIGHT	WIDTH	HEIGHT	WIDTH	HEIGHT		HINGE	STRIKE	HEAD	SILL	
																SEE DWG 1631-1



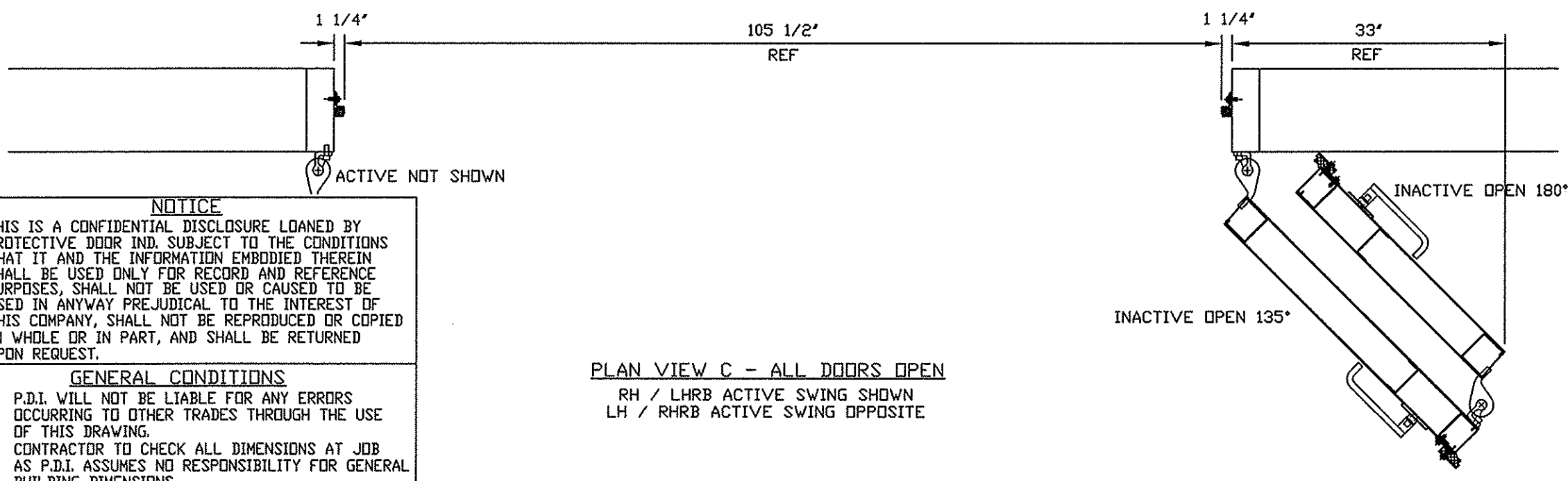
NOTES:  
SEE DWG 1631-1



PLAN VIEW A - CLOSED  
RH / LHRB ACTIVE SWING SHOWN  
LH / RHRB ACTIVE SWING OPPOSITE



PLAN VIEW B - INNER DOORS OPEN  
RH / LHRB ACTIVE SWING SHOWN  
LH / RHRB ACTIVE SWING OPPOSITE



PLAN VIEW C - ALL DOORS OPEN  
RH / LHRB ACTIVE SWING SHOWN  
LH / RHRB ACTIVE SWING OPPOSITE

1/19/07	1	PER APPROVED DWG	MF
DATE	MK	DESCRIPTION	BY

REVISIONS

CUSTOMER:

PROJECT:



PROTECTIVE DOOR INDUSTRIES  
HARVEY, ILLINOIS 60426

TITLE SWING DIAGRAM  
TRI-FOLD ACOUSTICAL DOOR

DWG BY	MF	CHKD BY	
DATE	4/28/06	DATE	
SCALE		QA	
DWG NO.	1631-06	SHT NO.	2

**NOTICE**  
THIS IS A CONFIDENTIAL DISCLOSURE LOANED BY PROTECTIVE DOOR IND. SUBJECT TO THE CONDITIONS THAT IT AND THE INFORMATION EMBODIED THEREIN SHALL BE USED ONLY FOR RECORD AND REFERENCE PURPOSES, SHALL NOT BE USED OR CAUSED TO BE USED IN ANYWAY PREJUDICIAL TO THE INTEREST OF THIS COMPANY, SHALL NOT BE REPRODUCED OR COPIED IN WHOLE OR IN PART, AND SHALL BE RETURNED UPON REQUEST.

**GENERAL CONDITIONS**  
P.D.I. WILL NOT BE LIABLE FOR ANY ERRORS OCCURRING TO OTHER TRADES THROUGH THE USE OF THIS DRAWING.  
CONTRACTOR TO CHECK ALL DIMENSIONS AT JOB AS P.D.I. ASSUMES NO RESPONSIBILITY FOR GENERAL BUILDING DIMENSIONS.

PLOT SCALE 1=16  
1631-2