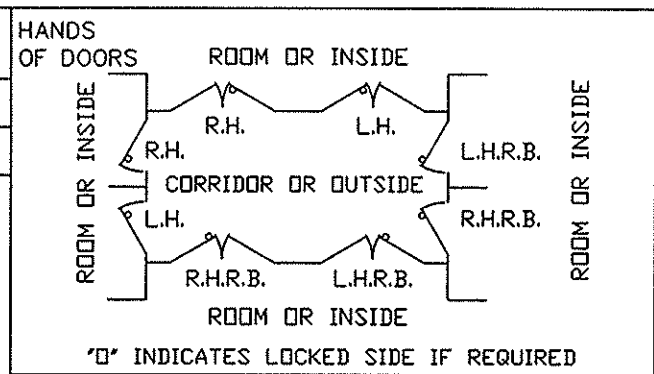


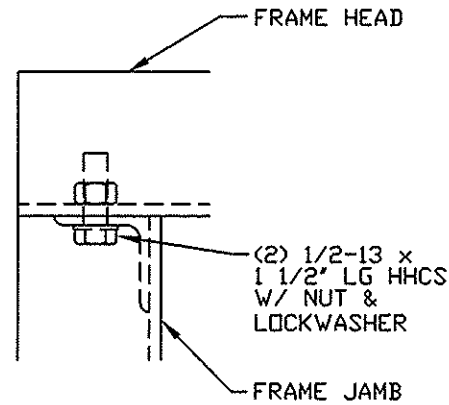
QUAN.	MARK NO	HAND	LOCATION		EXISTING WALL OPNG		FRAME OPNG		DOOR SIZE		DOOR ELEV	SECTIONS				REMARKS
			HINGE SIDE	STOP SIDE	WIDTH	HEIGHT	WIDTH	HEIGHT	WIDTH	HEIGHT		HINGE	STRIKE	HEAD	SILL	
1 PAIR	106B	LHRB ACTIVE	STAGING 120	STAGE 117	148'	211 3/4'	141 1/2'	208 1/2'	70 3/8'	207 15/16'	A	1	2	3	4	
					(12'-4')	(17'-7 3/4')	(11'-9 1/2')	(17'-4 1/2')	(5'-10 3/8')	(17'-3 15/16')						



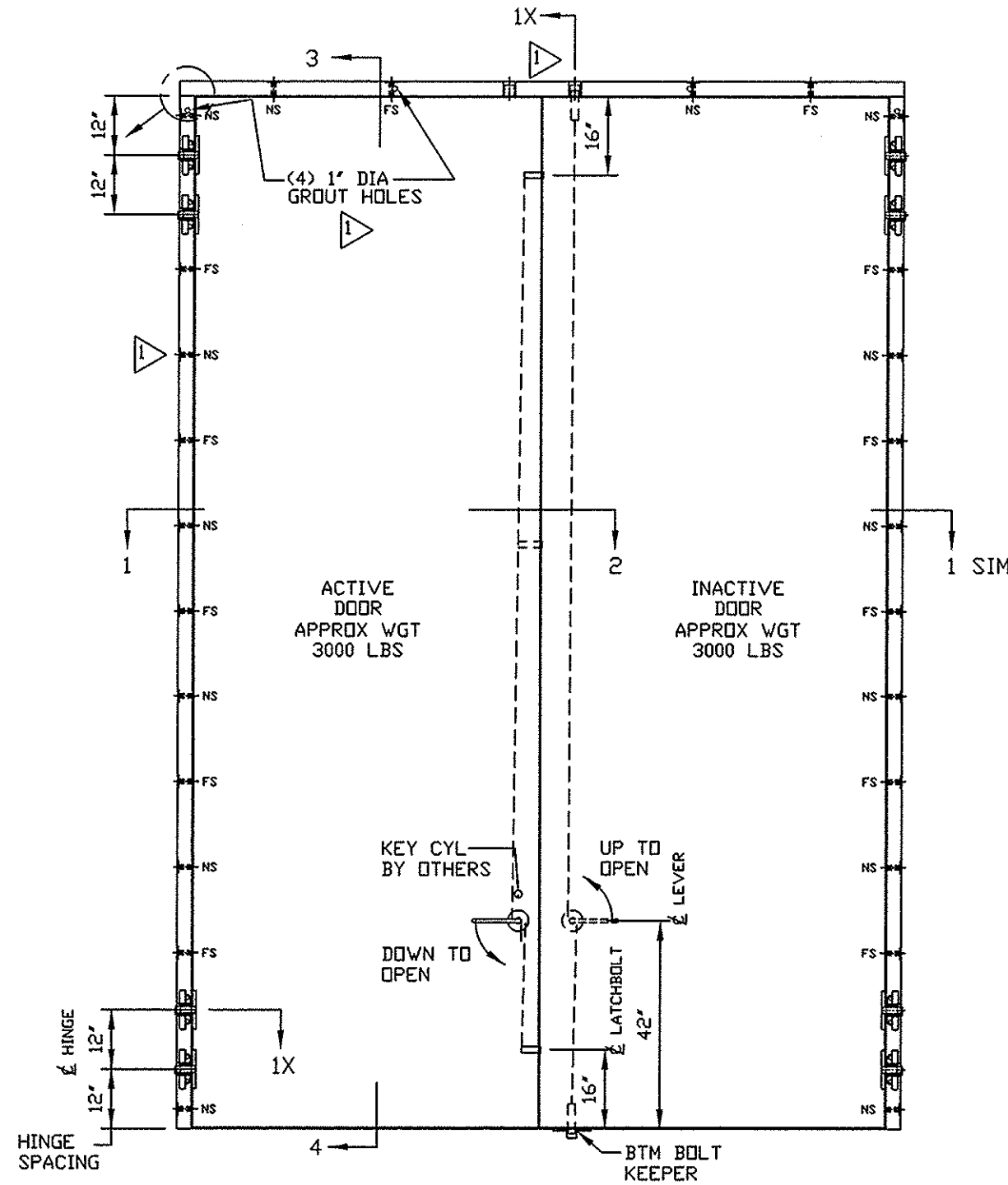
- NOTES:
- 52 STC ACOUSTICAL RATING  
RIVERBANK TEST TL 73-112  
APPROX DOOR WGT = 27 LBS/SQ FT
  - FIRE RATING: NONE AVAILABLE
  - FINISH: STD GREY PRIMER
  - HARDWARE BY PDI (PER OPENING)
    - (4) PR SH-460 6-WAY ADJUST HINGES x USP FINISH
    - (1) SH-153CF 3 PT HORIZONTAL HARDWARE LEVER x LEVER TRIM x US32D FINISH (LESS CYL) @ ACTIVE DOOR  
FUNCTION: SIM TO CLASSROOM
    - (2) SH-154RB 2 PT VERTICAL HARDWARE LEVER x NO EXT TRIM x US32D FINISH @ INACTIVE DOOR
  - HARDWARE BY OTHERS:
    - (1) RIM KEY CYLINDER  
SHIP TO PDI FOR FACTORY INSTALLATION

**FRAME INSTALLATION BY OTHERS**

- PROPERLY BRACE AND SUPPORT FRAME DURING INSTALLATION.
- JAMBS MUST BE PLUMB.
- HEAD MUST BE LEVEL.
- ALL DIMENSIONS TO BE WITHIN 1/16".
- DIAGONAL DIMENSIONS TO BE TO BE WITHIN 1/8".



TYP FRAME CORNER DETAIL  
FACTORY ASSEMBLY - SHIP KNOCKED DOWN



ELEVATION A

RH / LHRB ACTIVE SWING SHOWN  
LH / RHRB ACTIVE SWING OPPOSITE

**NOTICE**

THIS IS A CONFIDENTIAL DISCLOSURE LOANED BY PROTECTIVE DOOR IND. SUBJECT TO THE CONDITIONS THAT IT AND THE INFORMATION EMBODIED THEREIN SHALL BE USED ONLY FOR RECORD AND REFERENCE PURPOSES, SHALL NOT BE USED OR CAUSED TO BE USED IN ANYWAY PREJUDICIAL TO THE INTEREST OF THIS COMPANY, SHALL NOT BE REPRODUCED OR COPIED IN WHOLE OR IN PART, AND SHALL BE RETURNED UPON REQUEST.

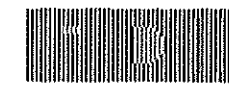
**GENERAL CONDITIONS**

P.D.I. WILL NOT BE LIABLE FOR ANY ERRORS OCCURRING TO OTHER TRADES THROUGH THE USE OF THIS DRAWING.  
CONTRACTOR TO CHECK ALL DIMENSIONS AT JOB AS P.D.I. ASSUMES NO RESPONSIBILITY FOR GENERAL BUILDING DIMENSIONS.

7/13/07	1	PER APPROVED DWG	LF
DATE	MK	DESCRIPTION	BY

REVISIONS

CUSTOMER:  
  
PROJECT:



PROTECTIVE DOOR INDUSTRIES  
HARVEY, ILLINOIS 60426

TITLE DS4-52L PAIR  
ACOUSTICAL DOOR UNIT

DWG BY MF	CHKD BY
DATE 3/26/07	DATE
SCALE	QA
DWG NO. 1673-07	SHT NO. 1

PLOT SCALE 1=32  
1673-1