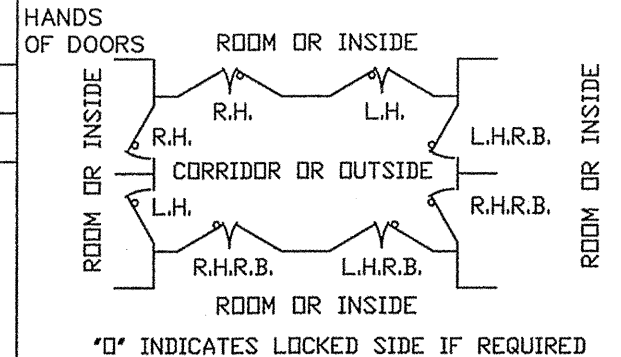
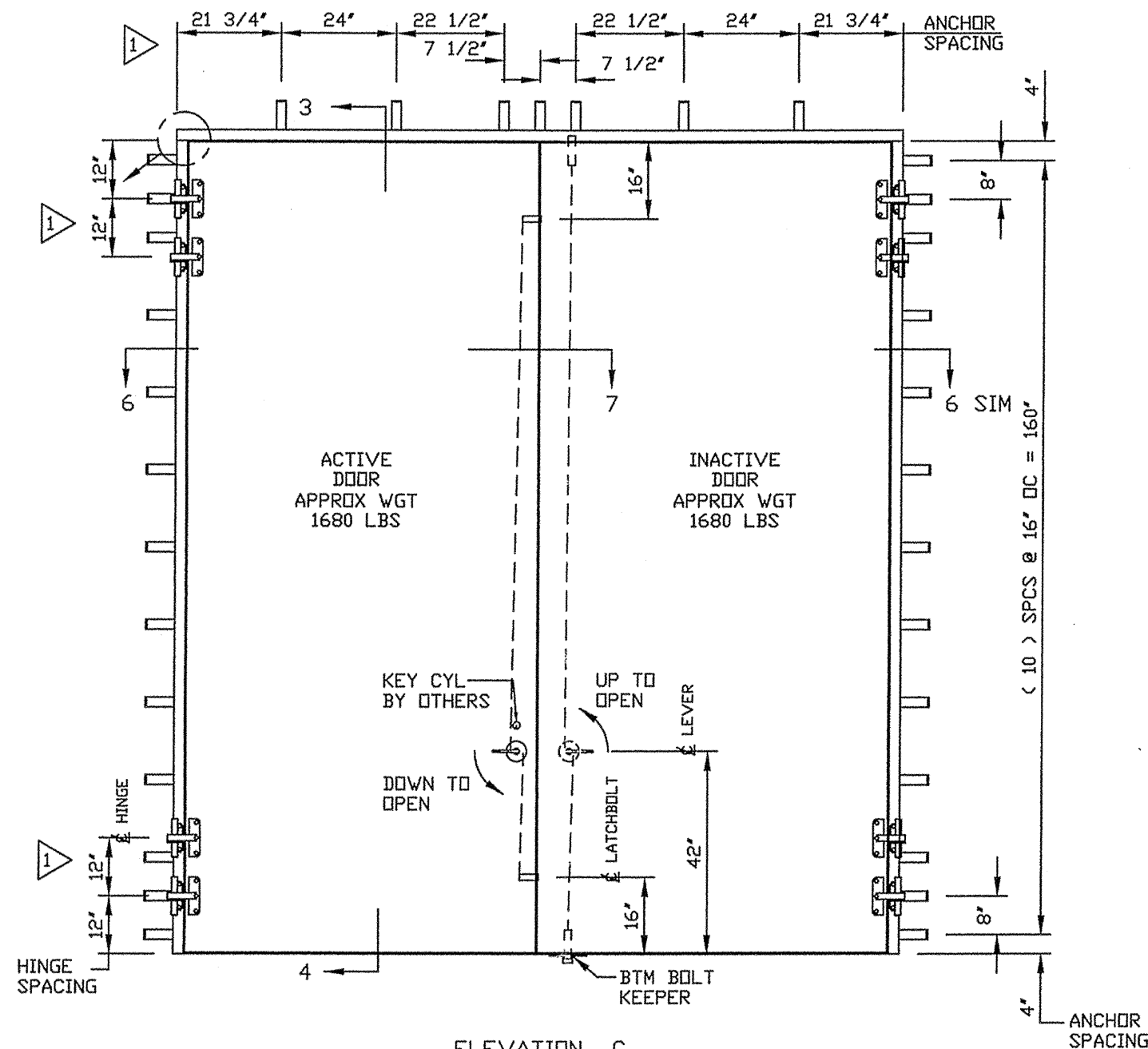
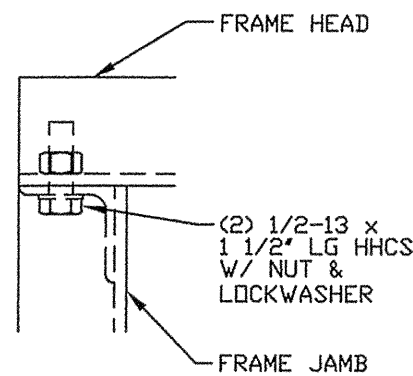


QUAN.	MARK NO	HAND	LOCATION		EXISTING WALL OPNG		FRAME OPNG		DOOR SIZE		DOOR ELEV	SECTIONS				REMARKS
			HINGE SIDE	STOP SIDE	WIDTH	HEIGHT	WIDTH	HEIGHT	WIDTH	HEIGHT		HINGE	STRIKE	HEAD	SILL	
1 PR	120D	LHRB ACTIVE	RM 120	STAGE	NA	NA	147"	168"	73 1/8"	167 7/16"	C	6	7	3	4	

FRAME INSTALLATION BY OTHERS

1. PROPERLY BRACE AND SUPPORT FRAME DURING INSTALLATION.
2. JAMBS MUST BE PLUMB.
3. HEAD MUST BE LEVEL.
4. ALL DIMENSIONS TO BE WITHIN 1/16".
5. DIAGONAL DIMENSIONS TO BE TO BE WITHIN 1/8".



- *"O" INDICATES LOCKED SIDE IF REQUIRED
- NOTES:
1. 46 STC ACOUSTICAL RATING RIVERBANK TEST TL 76-61 APPROX DOOR WGT = 18 LBS/SQ FT
 2. FIRE RATING: NONE AVAILABLE
 3. FINISH: STD GREY PRIMER
 4. HARDWARE BY PDI: (PER OPENING)
 - (4) PR SH-461 6-WAY ADJUST HINGES x USP FINISH
 - (1) SH-153C 2 PT HORIZONTAL HARDWARE LEVER x LEVER TRIM x US32D FINISH (LESS CYL) @ ACTIVE DOOR FUNCTION: SIM TO CLASSROOM
 - (1) SH-154 2 PT VERTICAL HARDWARE LEVER x NO EXT TRIM x US32D FINISH @ INACTIVE DOOR
 5. HARDWARE BY OTHERS:
 - (1) RIM KEY CYLINDER SHIP TO PDI FOR FACTORY INSTALLATION

11/2/09	1	PER APPROVED DWGS	LF
DATE	MK	DESCRIPTION	BY

REVISIONS

CUSTOMER:

PROJECT:

PROTECTIVE DOOR INDUSTRIES
HARVEY, ILLINOIS 60426

TITLE DS4-46F FLUSH PAIR
ACOUSTICAL DOOR AND FRAME

DWG BY	LF	CHKD BY	MF
DATE	8/31/09	DATE	9/2/09
SCALE		QA	
DWG NO.	1824-09	SHT NO.	3

NOTICE
THIS IS A CONFIDENTIAL DISCLOSURE LOANED BY PROTECTIVE DOOR IND. SUBJECT TO THE CONDITIONS THAT IT AND THE INFORMATION EMBODIED THEREIN SHALL BE USED ONLY FOR RECORD AND REFERENCE PURPOSES, SHALL NOT BE USED OR CAUSED TO BE USED IN ANYWAY PREJUDICIAL TO THE INTEREST OF THIS COMPANY, SHALL NOT BE REPRODUCED OR COPIED IN WHOLE OR IN PART, AND SHALL BE RETURNED UPON REQUEST.

GENERAL CONDITIONS
P.D.I. WILL NOT BE LIABLE FOR ANY ERRORS OCCURRING TO OTHER TRADES THROUGH THE USE OF THIS DRAWING. CONTRACTOR TO CHECK ALL DIMENSIONS AT JOB AS P.D.I. ASSUMES NO RESPONSIBILITY FOR GENERAL BUILDING DIMENSIONS.

PLOT SCALE 1/4
1824-3

MASTER