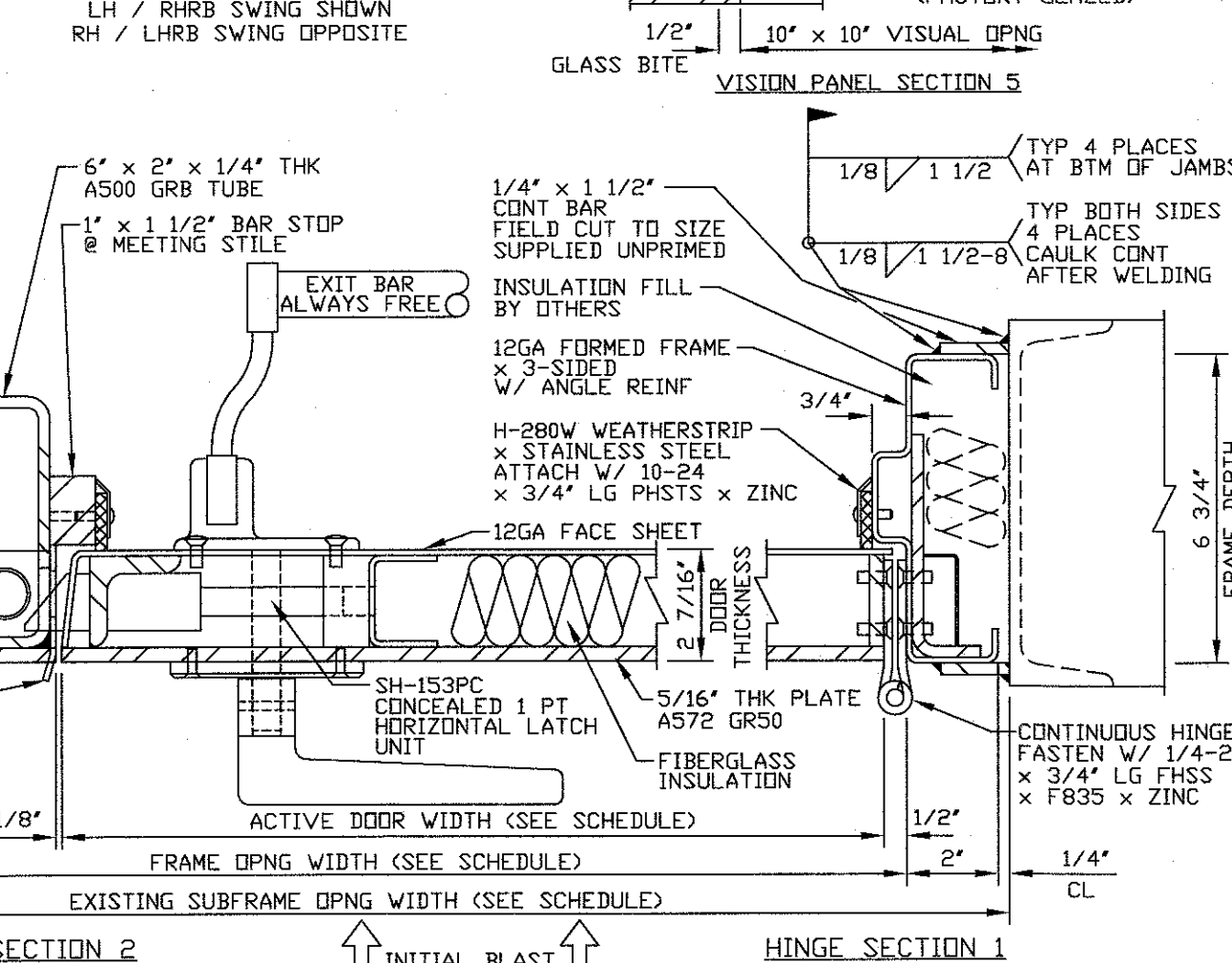
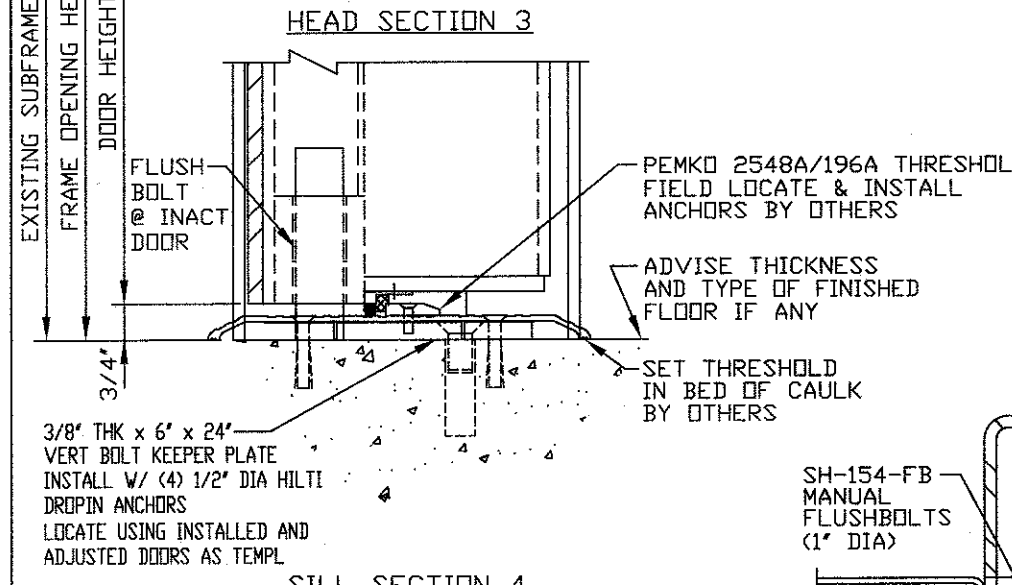
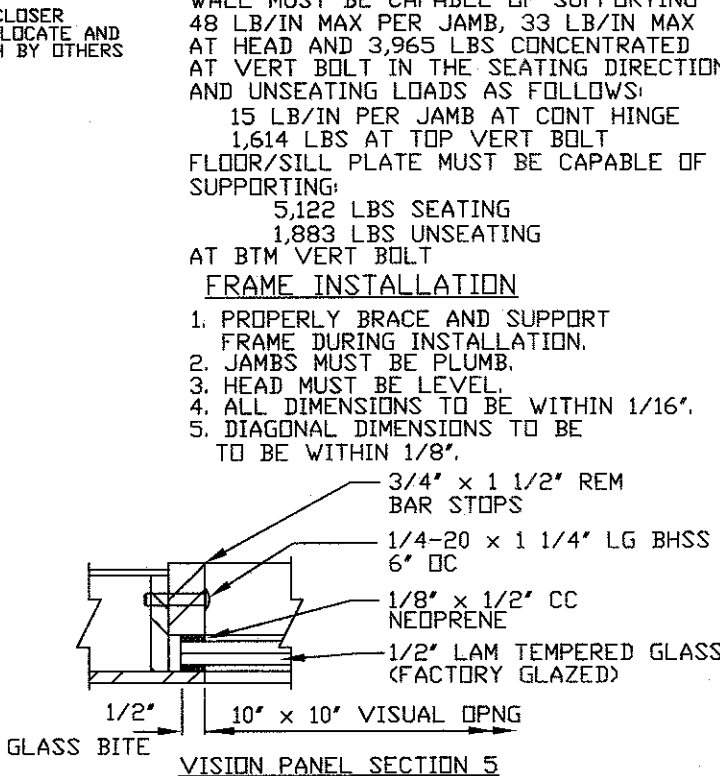
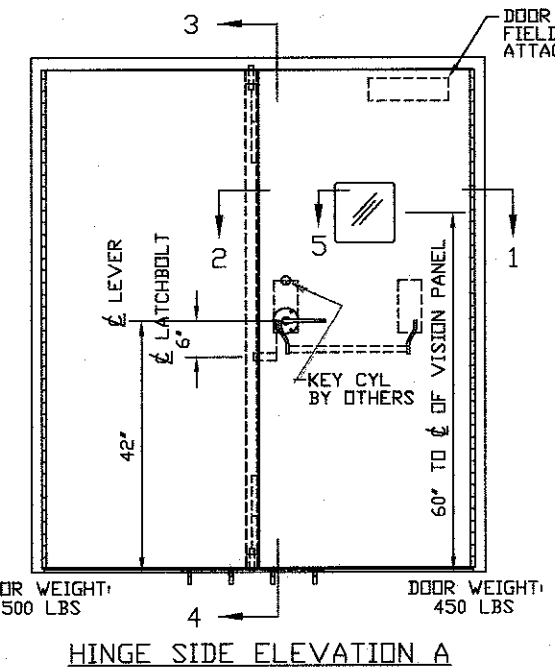
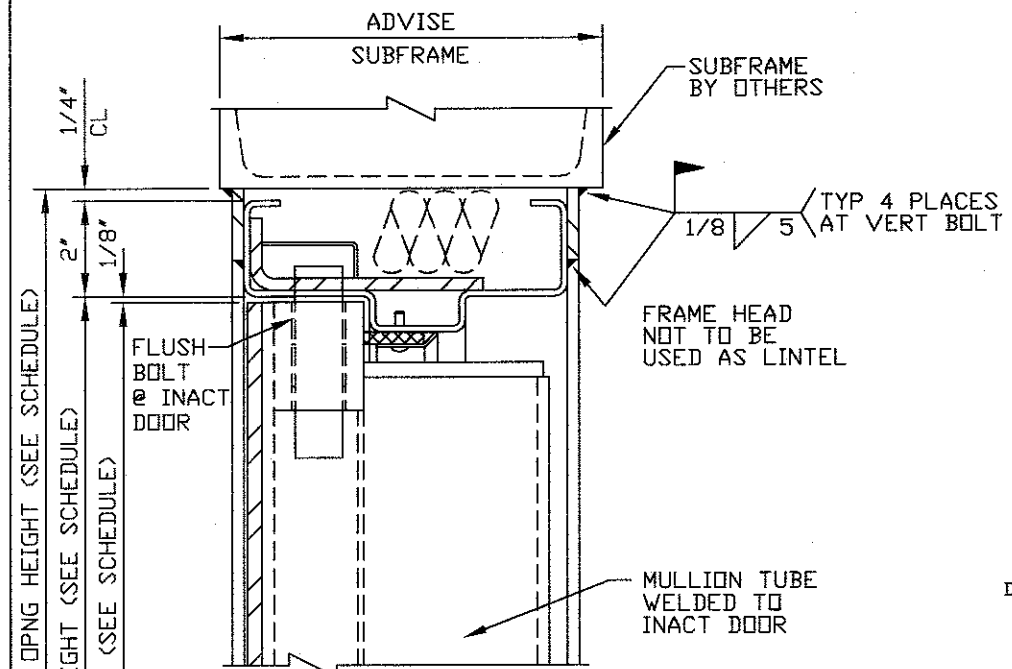
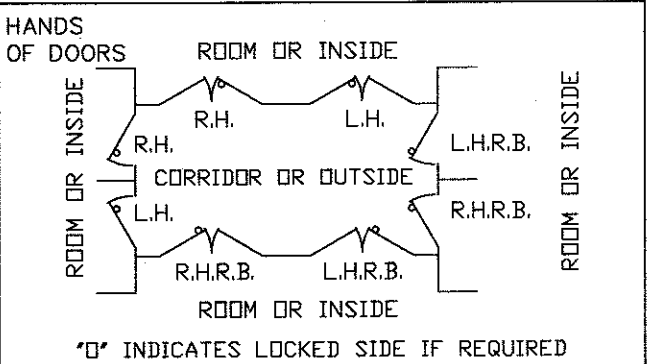


QUAN.	MARK NO	HAND ACTIVE	LOCATION		EXISTING WALL OPNG		FRAME OPNG		DOOR SIZE		DOOR ELEV	SECTIONS				REMARKS
			HINGE SIDE	STOP SIDE	WIDTH	HEIGHT	WIDTH	HEIGHT	WIDTH	HEIGHT		HINGE	STRIKE	HEAD	SILL	
1 PR	1	RHRB	EXTERIOR	INTERIOR	76 1/2"	86 1/4"	72"	84"	35 3/8"	83 1/8"	A	1	2	3	4	VISION PANEL 5



IMPORTANT NOTE:
WALL MUST BE CAPABLE OF SUPPORTING 48 LB/IN MAX PER JAMB, 33 LB/IN MAX AT HEAD AND 3,965 LBS CONCENTRATED AT VERT BOLT IN THE SEATING DIRECTION AND UNSEATING LOADS AS FOLLOWS:
15 LB/IN PER JAMB AT CONT HINGE
1,614 LBS AT TOP VERT BOLT
FLOOR/SILL PLATE MUST BE CAPABLE OF SUPPORTING:
5,122 LBS SEATING
1,883 LBS UNSEATING
AT BTM VERT BOLT

FRAME INSTALLATION
1. PROPERLY BRACE AND SUPPORT FRAME DURING INSTALLATION.
2. JAMBS MUST BE PLUMB.
3. HEAD MUST BE LEVEL.
4. ALL DIMENSIONS TO BE WITHIN 1/16\"/>
5. DIAGONAL DIMENSIONS TO BE TO BE WITHIN 1/8\"/>



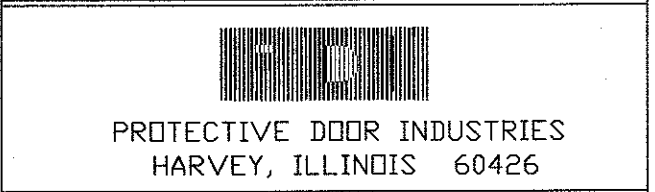
- NOTES:**
1. DESIGN PRESSURE: PEAK REFLECTED PRESSURE (Pr) = 2.3 PSI SEATING PRESSURE FOR 84 MSEC DURATION W/ REBOUND AS CALCULATED
2. FIRE RATING: NONE
3. FINISH: STD GREY PRIMER
4. HARDWARE BY PDI; (PER OPENING)
(2) CONTINUOUS HINGES x DOOR HEIGHT 8GA SS LEAVES x 3/8\"/>

NOTICE
THIS IS A CONFIDENTIAL DISCLOSURE LOANED BY PROTECTIVE DOOR IND. SUBJECT TO THE CONDITIONS THAT IT AND THE INFORMATION EMBODIED THEREIN SHALL BE USED ONLY FOR RECORD AND REFERENCE PURPOSES, SHALL NOT BE USED OR CAUSED TO BE USED IN ANYWAY PREJUDICIAL TO THE INTEREST OF THIS COMPANY, SHALL NOT BE REPRODUCED OR COPIED IN WHOLE OR IN PART, AND SHALL BE RETURNED UPON REQUEST.

GENERAL CONDITIONS
P.D.I. WILL NOT BE LIABLE FOR ANY ERRORS OCCURRING TO OTHER TRADES THROUGH THE USE OF THIS DRAWING. CONTRACTOR TO CHECK ALL DIMENSIONS AT JOB AS P.D.I. ASSUMES NO RESPONSIBILITY FOR GENERAL BUILDING DIMENSIONS.

DATE	MK	DESCRIPTION	BY
REVISIONS			

CUSTOMER:
PROJECT:



TITLE: DB-X PAIR BLAST RESISTANT DOOR AND FRAME

DWG BY	MF	CHKD BY	
DATE	6/6/17	DATE	
SCALE		QA	
DWG NO.	2287-17	SHT NO.	1

PLOT SCALE 1=4
2287-1

MASTER