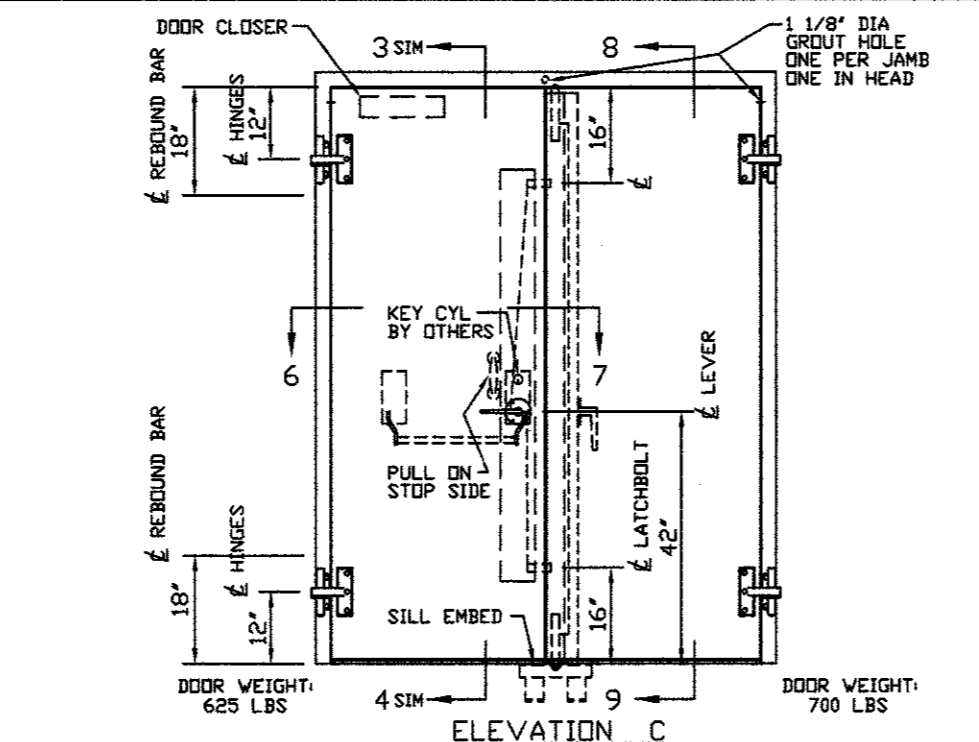
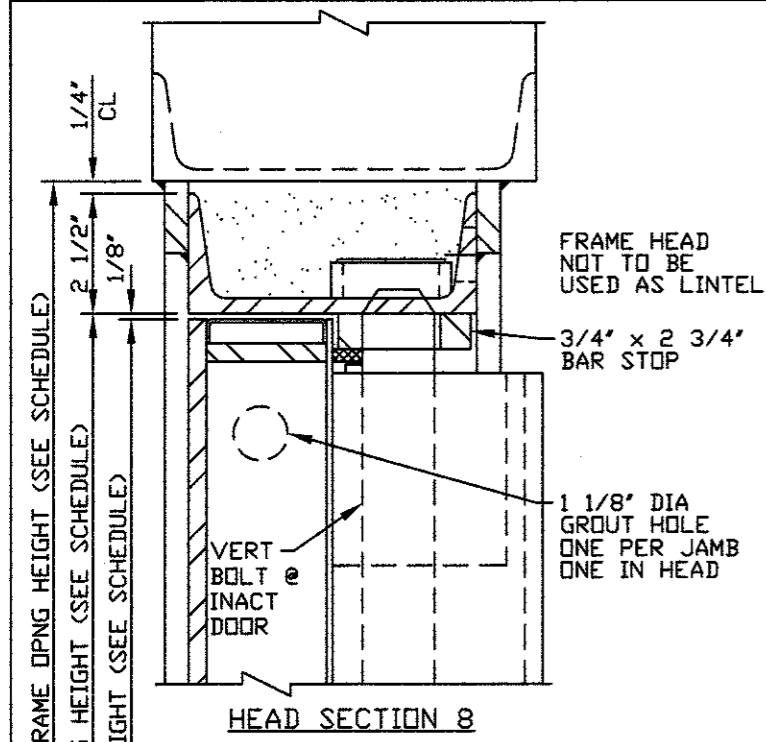
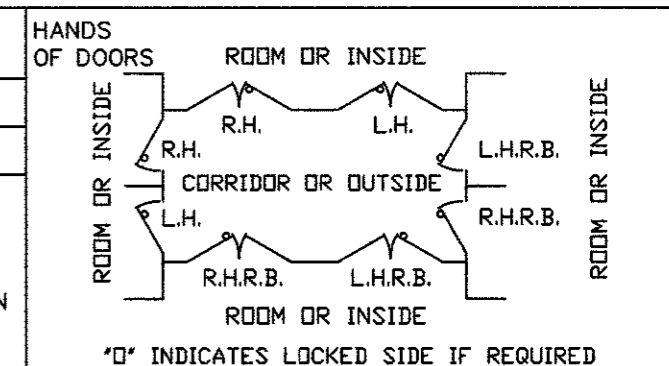


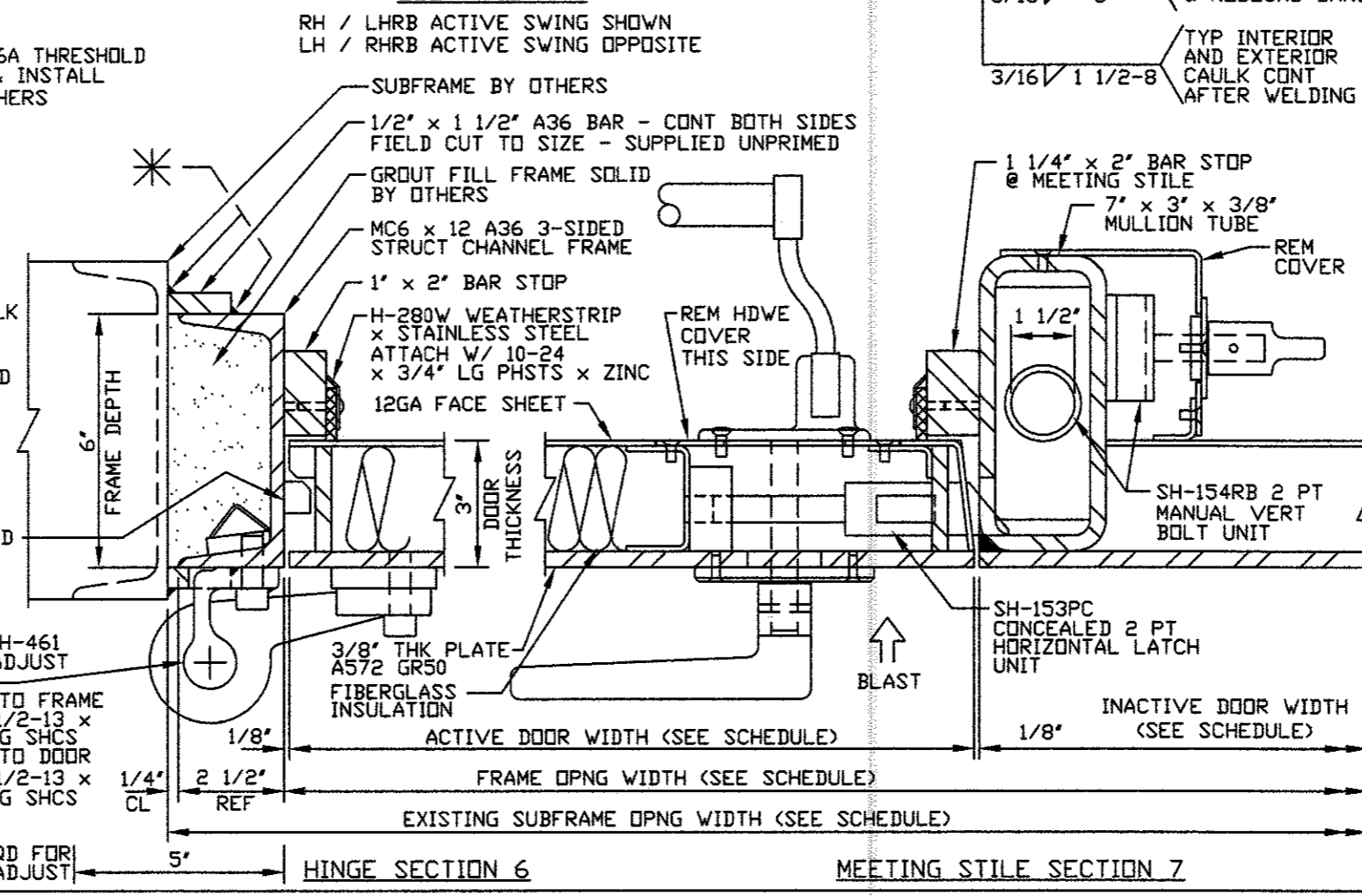
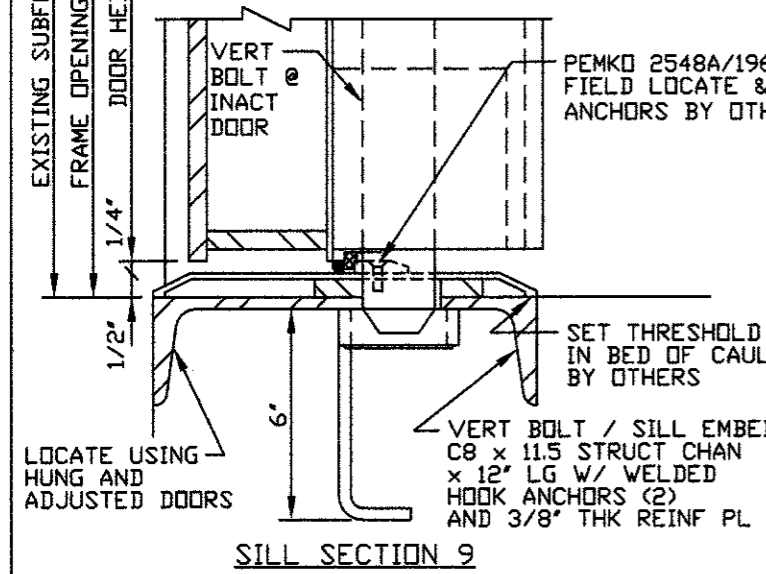
QUAN.	MARK NO	HAND	LOCATION		EXISTING WALL OPNG		FRAME OPNG		DOOR SIZE		DOOR ELEV	SECTIONS			REMARKS	
			HINGE SIDE	STOP SIDE	WIDTH	HEIGHT	WIDTH	HEIGHT	WIDTH	HEIGHT		STRIKE	HEAD	SILL		
1 PR	118B	RHRB ACTIVE	EXTERIOR	MECH RM 118	77 1/2"	98 3/4"	72"	96"	35 3/4" ACT 35 7/8" INACT	95 1/8"	C	6	7	8	9	



**IMPORTANT NOTE:**  
 WALL MUST BE CAPABLE OF SUPPORTING 143 LB/IN MAX PER JAMB, 96 LB/IN MAX AT HEAD AND 13653 LBS CONCENTRATED AT VERT BOLT IN THE SEATING DIRECTION AND UNSEATING LOADS AS FOLLOWS:  
 AT REBOUND BARS 4275 LBS MAX  
 AT VERT BOLTS 8550 LBS MAX  
 FLOOR/SILL EMBED MUST BE CAPABLE OF SUPPORTING:  
 17099 LBS SEATING  
 8550 LBS UNSEATING  
 AT BTM VERT BOLT

**FRAME INSTALLATION**

1. PROPERLY BRACE AND SUPPORT FRAME DURING INSTALLATION.
2. JAMBS MUST BE PLUMB.
3. HEAD MUST BE LEVEL.
4. ALL DIMENSIONS TO BE WITHIN 1/16".
5. DIAGONAL DIMENSIONS TO BE TO BE WITHIN 1/8".

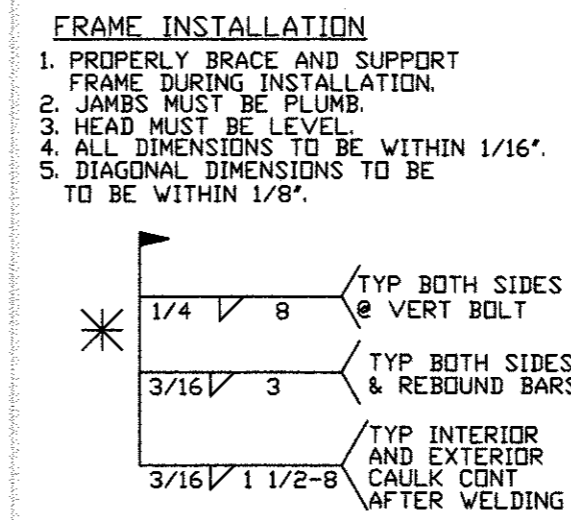


**NOTICE**  
 THIS IS A CONFIDENTIAL DISCLOSURE LOANED BY PROTECTIVE DOOR IND. SUBJECT TO THE CONDITIONS THAT IT AND THE INFORMATION EMBODIED THEREIN SHALL BE USED ONLY FOR RECORD AND REFERENCE PURPOSES, SHALL NOT BE USED OR CAUSED TO BE USED IN ANYWAY PREJUDICIAL TO THE INTEREST OF THIS COMPANY, SHALL NOT BE REPRODUCED OR COPIED IN WHOLE OR IN PART, AND SHALL BE RETURNED UPON REQUEST.

**GENERAL CONDITIONS**  
 P.D.I. WILL NOT BE LIABLE FOR ANY ERRORS OCCURRING TO OTHER TRADES THROUGH THE USE OF THIS DRAWING.  
 CONTRACTOR TO CHECK ALL DIMENSIONS AT JOB AS P.D.I. ASSUMES NO RESPONSIBILITY FOR GENERAL BUILDING DIMENSIONS.

(1) PR SH-461 6 WAY ADJUST HINGES FASTEN TO FRAME W/ (2) 1/2-13 x 1 1/4" LG SHCS FASTEN TO DOOR W/ (3) 1/2-13 x 1 1/2" LG SHCS

MIN REQD FOR HINGE ADJUST



- NOTES:**
1. DESIGN PRESSURE: Pr = 6.45 PSI SEATING PRESSURE FOR 91 MS W/ REBOUND AS CALCULATED
  2. FIRE RATING: NONE
  3. FINISH: STD GREY PRIMER
  4. HARDWARE BY PDI:
    - (2) PR SH-461 6 WAY ADJUST HINGES x USP FINISH
    - (1) SH-153PC 2 PT HORIZONTAL HARDWARE LEVER x EXIT BAR TRIM x US32D FINISH x LESS CYL @ ACTIVE DOOR ONLY
    - (1) ROCKWOOD #131 PULL HANDLE x US32D FIN
    - (1) SH-154RB 2 PT VERT MANUAL HARDWARE LEVER x NO EXT TRIM x US32D FINISH @ INACTIVE DOOR
    - (1) YALE #4400 CLOSER x PA x ALUM FINISH @ ACTIVE DOOR ONLY
    - (1) PDI H-280W WEATHERSTRIP x SS FINISH
    - (2) PDI H-344 SILL SWEEP x USP FINISH
    - (1) PEMKO #2548A/196A THRESHOLD x ALUM
  5. HARDWARE BY OTHERS:
    - (1) RIM KEY CYLINDER - IF POSSIBLE SHIP TO PDI FOR FACTORY INSTALLATION

DATE	MK	DESCRIPTION	BY
REVISIONS			
CUSTOMER:			
PROJECT:			
PROTECTIVE DOOR INDUSTRIES HARVEY, ILLINOIS 60426			
TITLE		DB-X PAIR BLAST RESISTANT DOOR AND FRAME	
DWG BY	MF	CHKD BY	
DATE	11/5/14	DATE	
SCALE		QA	
DWG NO.	2133-14	SHT NO.	3

PLOT SCALE 1=4  
 2133-3

MASTER