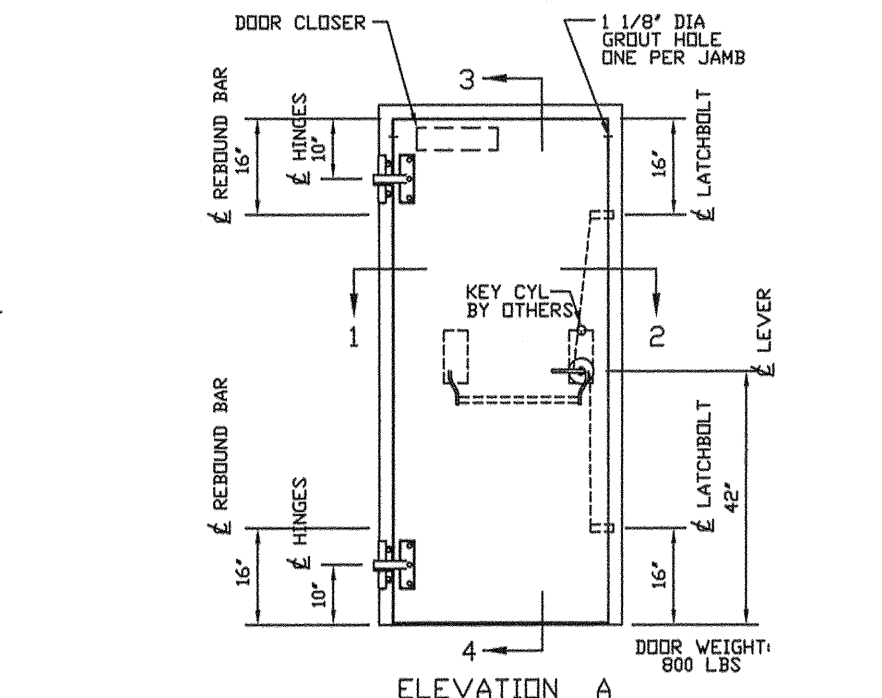
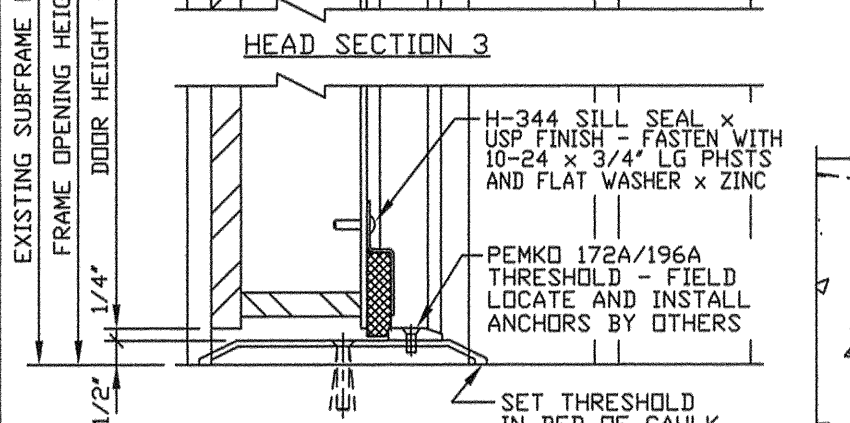
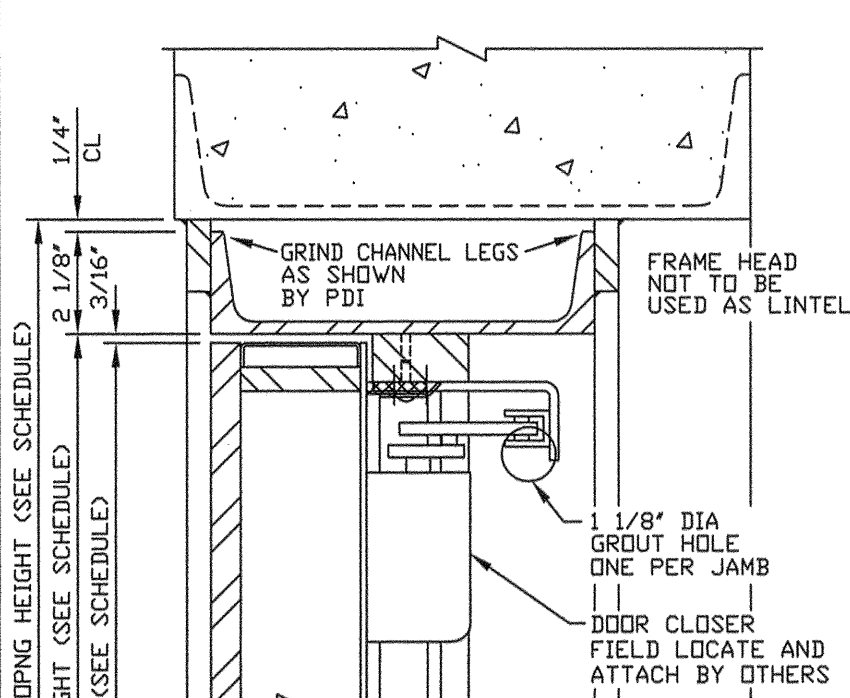
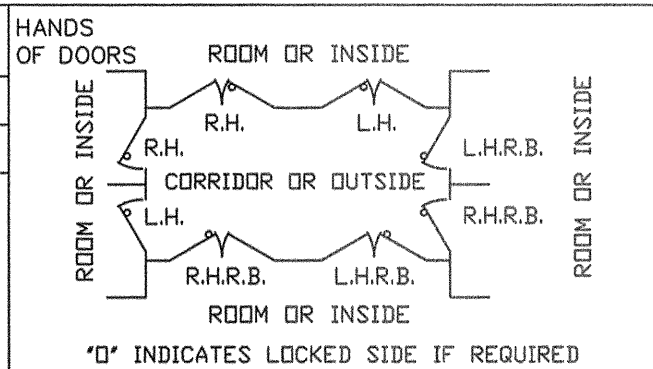
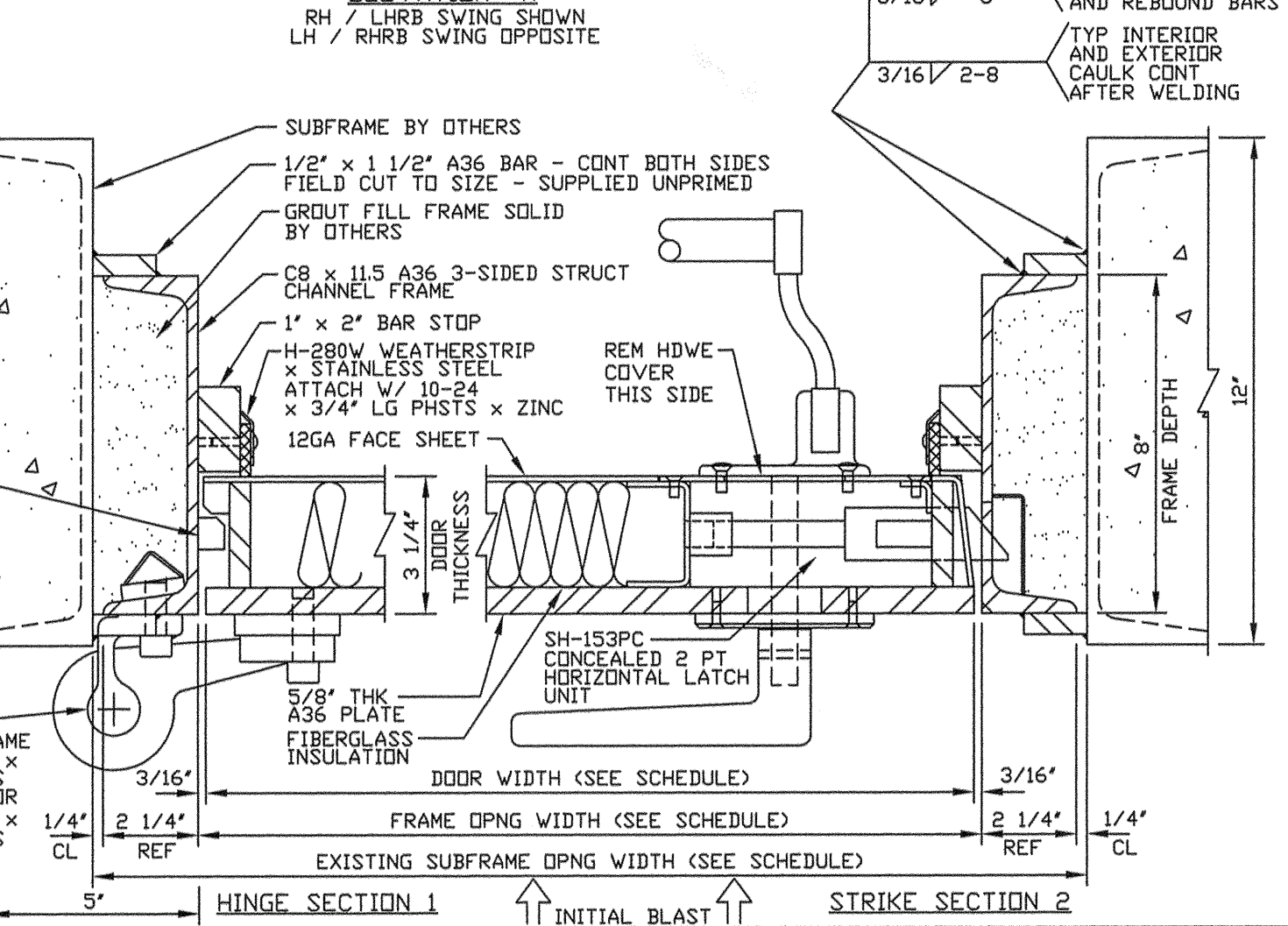


QUAN.	MARK NO	HAND	LOCATION		EXISTING WALL OPNG		FRAME OPNG		DOOR SIZE		DOOR ELEV	SECTIONS				REMARKS
			HINGE SIDE	STOP SIDE	WIDTH	HEIGHT	WIDTH	HEIGHT	WIDTH	HEIGHT		HINGE	STRIKE	HEAD	SILL	
1 SGL	W1	LHRB	EXTERIOR	INTERIOR	41"	86 3/8"	36"	84"	35 5/8"	83 1/16"	A	1	2	3	4	



IMPORTANT NOTE:
WALL MUST BE CAPABLE OF SUPPORTING 209 LB/IN PER JAMB IN THE SEATING DIRECTION AND UNSEATING CONCENTRATED LOADS AS FOLLOWS:
AT LATCHBOLTS 5934 LBS
AT REBOUND BARS 5934 LBS

- FRAME INSTALLATION**
1. PROPERLY BRACE AND SUPPORT FRAME DURING INSTALLATION.
 2. JAMBS MUST BE PLUMB.
 3. HEAD MUST BE LEVEL.
 4. ALL DIMENSIONS TO BE WITHIN 1/16".
 5. DIAGONAL DIMENSIONS TO BE TO BE WITHIN 1/8".



NOTICE
THIS IS A CONFIDENTIAL DISCLOSURE LOANED BY PROTECTIVE DOOR IND. SUBJECT TO THE CONDITIONS THAT IT AND THE INFORMATION EMBODIED THEREIN SHALL BE USED ONLY FOR RECORD AND REFERENCE PURPOSES, SHALL NOT BE USED OR CAUSED TO BE USED IN ANYWAY PREJUDICIAL TO THE INTEREST OF THIS COMPANY, SHALL NOT BE REPRODUCED OR COPIED IN WHOLE OR IN PART, AND SHALL BE RETURNED UPON REQUEST.


GENERAL CONDITIONS
P.D.I. WILL NOT BE LIABLE FOR ANY ERRORS OCCURRING TO OTHER TRADES THROUGH THE USE OF THIS DRAWING. CONTRACTOR TO CHECK ALL DIMENSIONS AT JOB AS P.D.I. ASSUMES NO RESPONSIBILITY FOR GENERAL BUILDING DIMENSIONS.

- (1) PR SH-461 6 WAY ADJUST HINGES FASTEN TO FRAME W/ (2) 1/2-13 x 1 1/4" LG SHCS FASTEN TO DOOR W/ (3) 1/2-13 x 1 1/2" LG SHCS
- MIN REQD FOR HINGE ADJUST

- NOTES:**
1. DESIGN PRESSURE: Pr = 12 PSI SEATING PRESSURE FOR 19.17 MS W/ REBOUND AS CALCULATED
 2. FIRE RATING: NONE
 3. FINISH: KEM KROMIK GREY PRIMER
 4. HARDWARE BY PDI:
 - (1) PR SH-461 6 WAY ADJUST HINGES x USP FINISH
 - (1) SH-153PC 2 PT HORIZONTAL HARDWARE LEVER x EXIT BAR TRIM x US32D FINISH x LESS CYL
 - FUNCTION: SIM TO 08
 - (1) YALE #4400 CLOSER x PA x ALUM FINISH
 - (1) PDI H-280W WEATHERSTRIP x SS FINISH
 - (1) PDI H-344 SILL SWEEP x USP FINISH
 - (1) PEMKO #172A/196A THRESHOLD x ALUM
 5. HARDWARE BY OTHERS:
 - (1) RIM KEY CYLINDER - IF POSSIBLE SHIP TO PDI FOR FACTORY INSTALLATION

DATE	MK	DESCRIPTION	BY
REVISIONS			

CUSTOMER:
PROJECT:


 PROTECTIVE DOOR INDUSTRIES
 HARVEY, ILLINOIS 60426

TITLE **DB-X SGL BLAST RESISTANT DOOR AND FRAME**

DWG BY	MF	CHKD BY	
DATE	3/22/11	DATE	
SCALE		QA	
DWG NO.	1918-11	SHT NO.	1

MASTER

PLOT SCALE 1=4