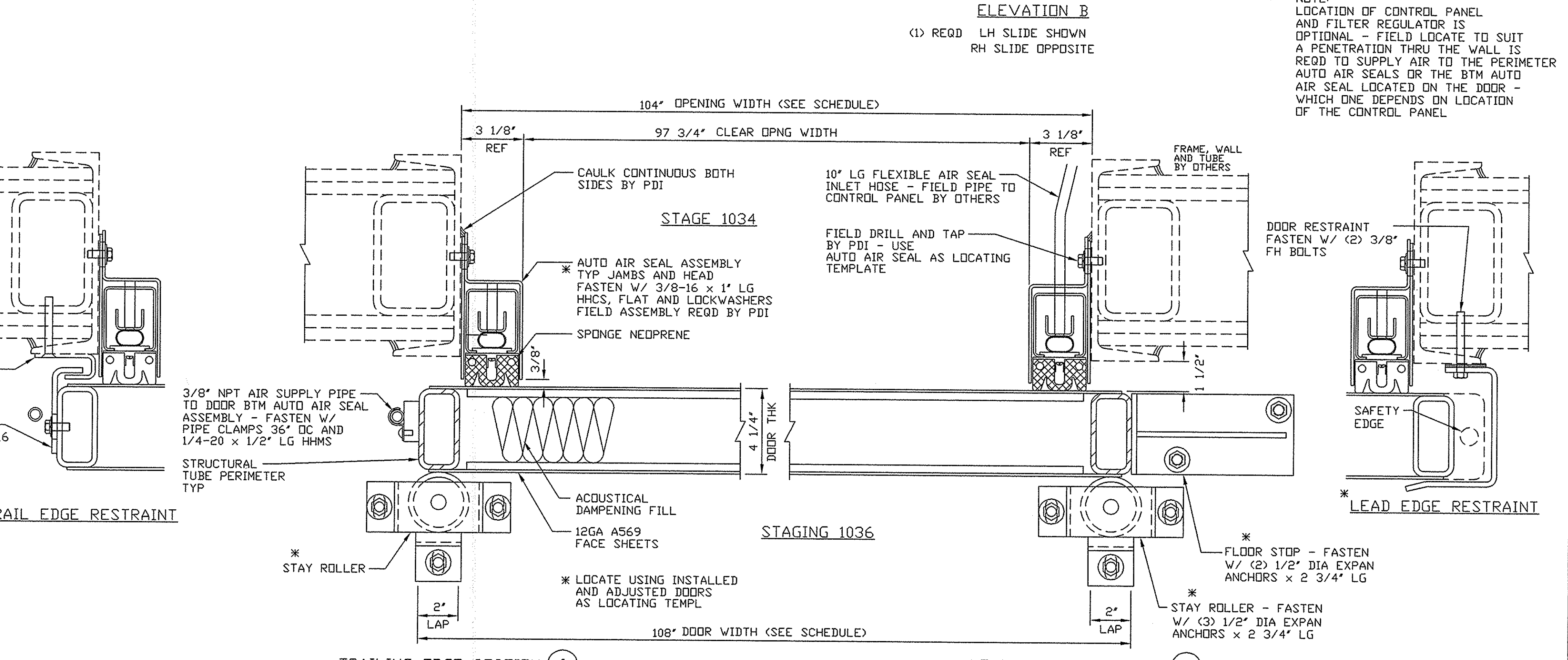
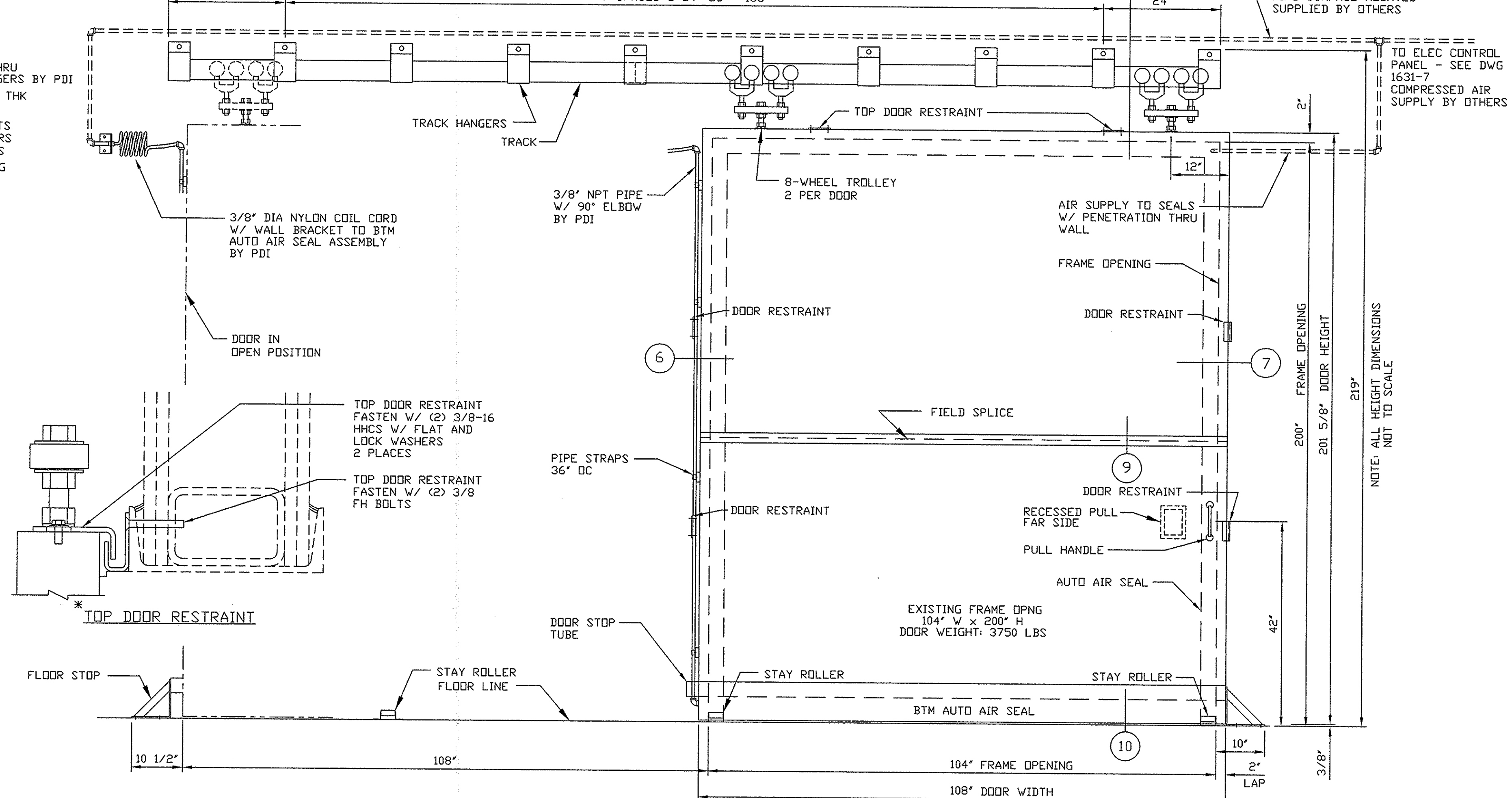
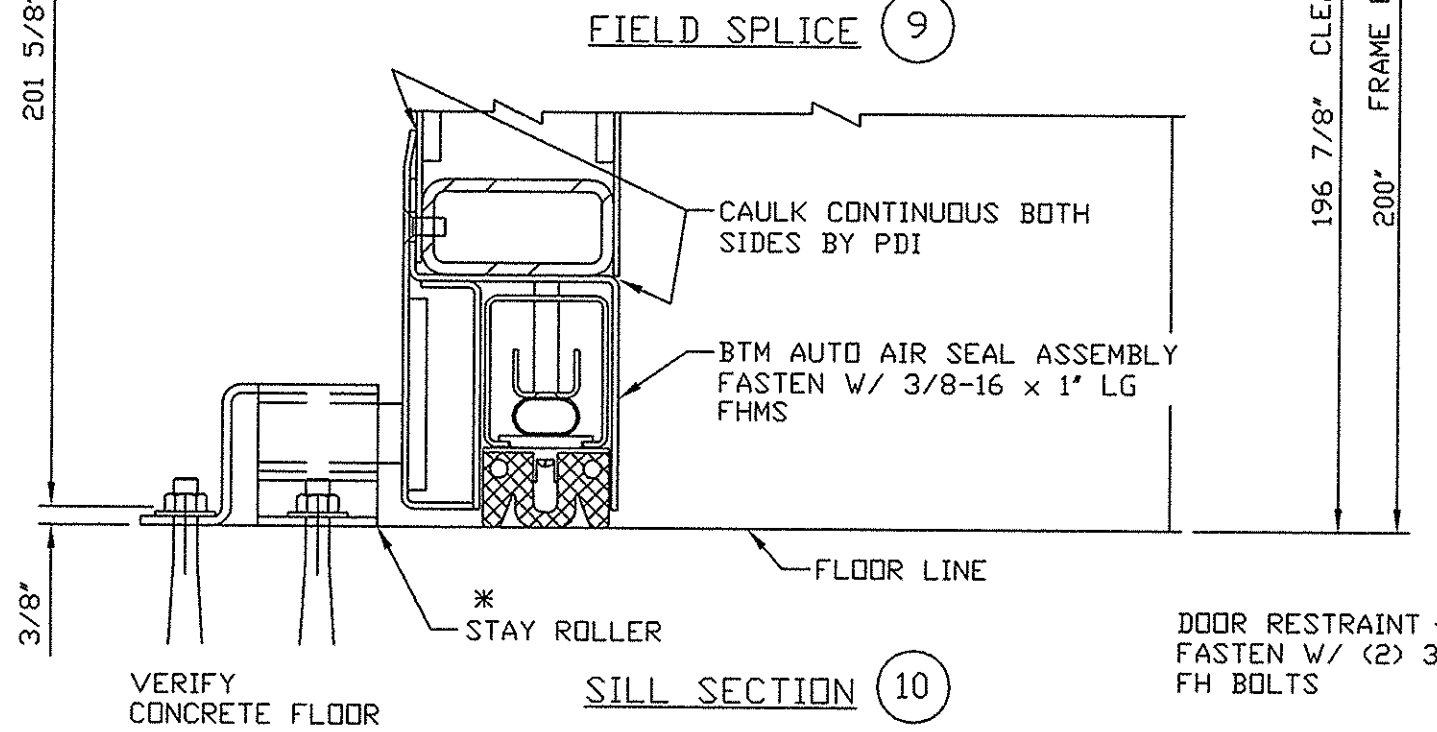
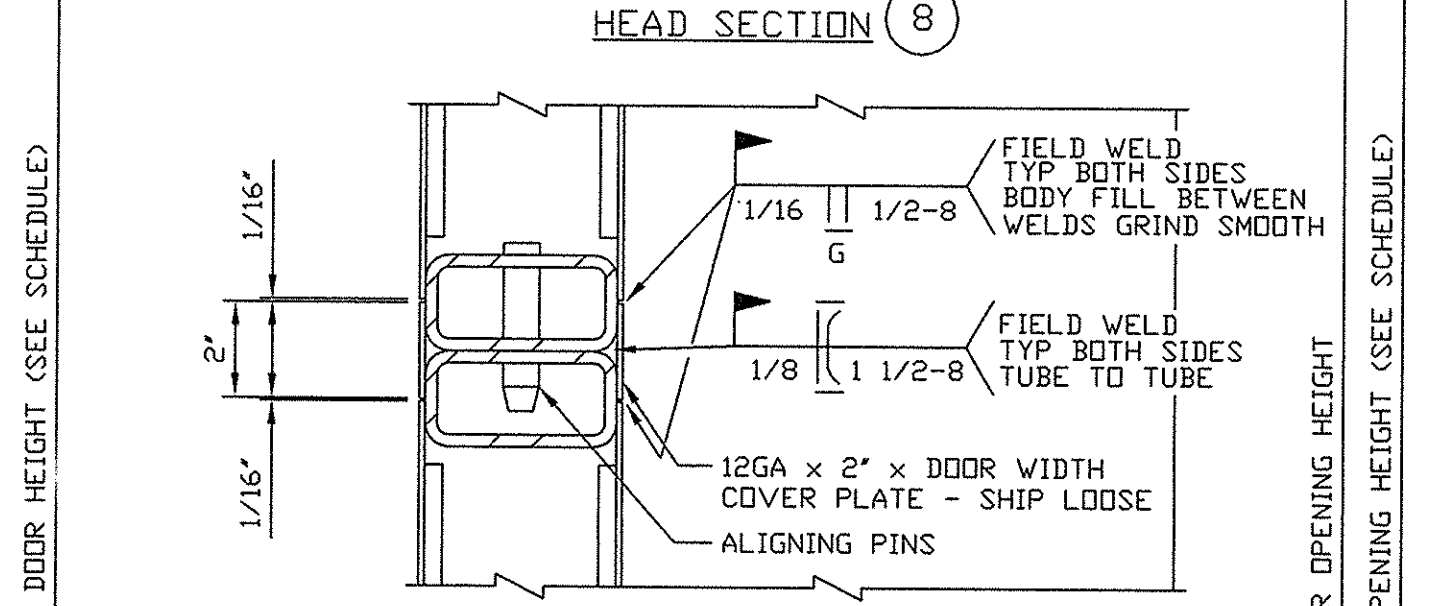
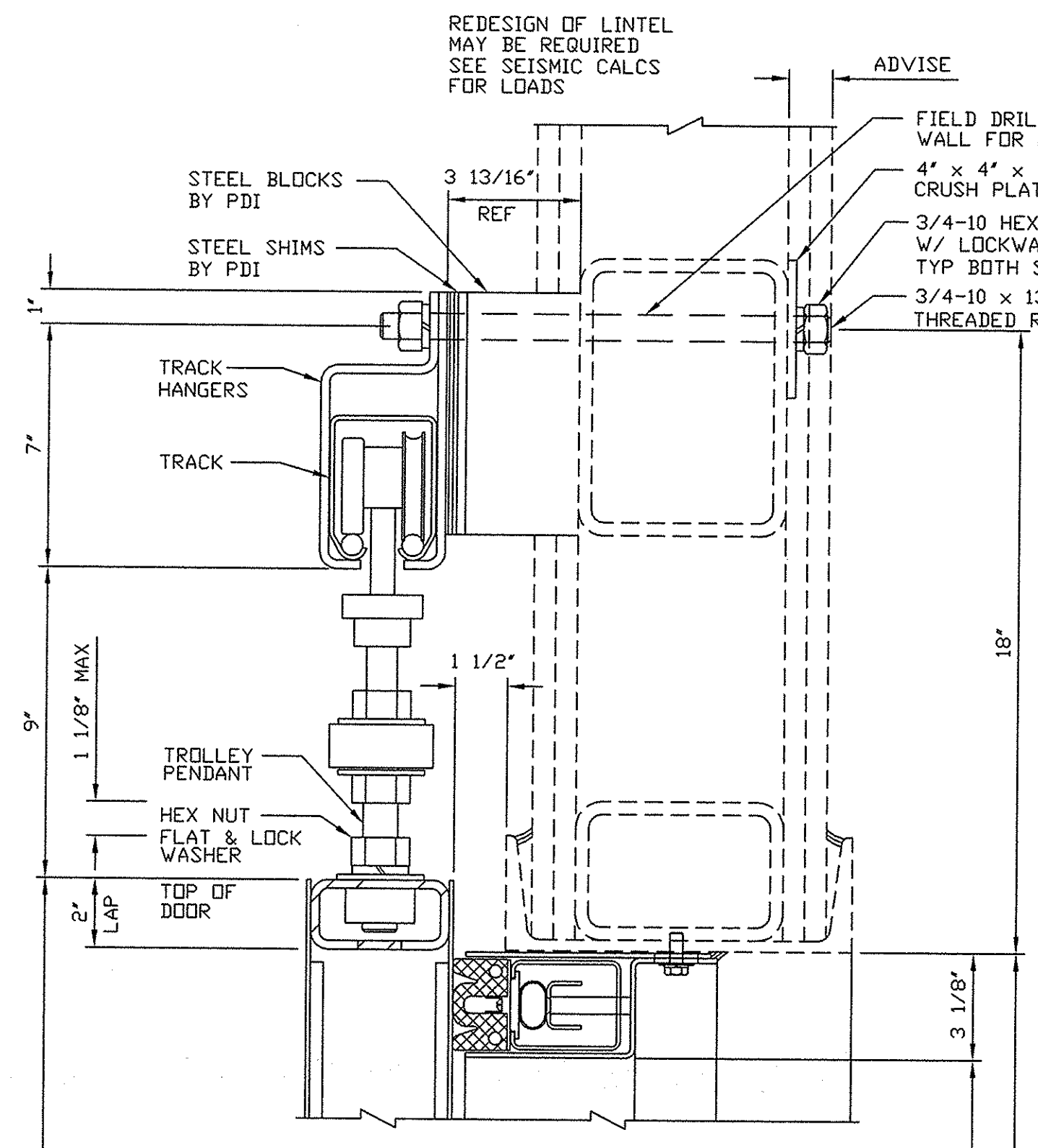
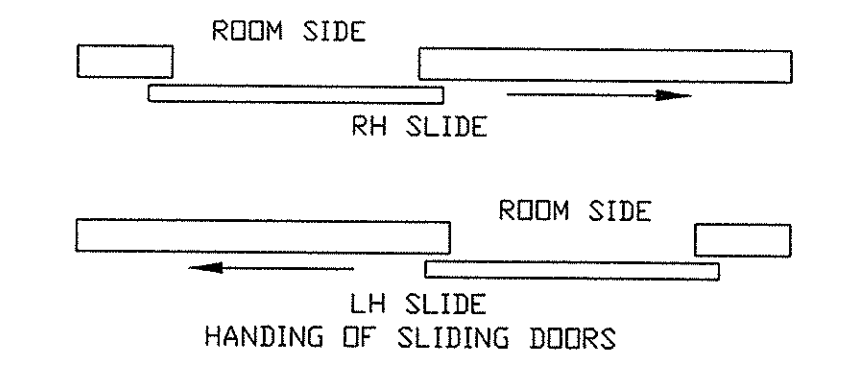


LINE NO.	GENERAL				LOCATION		WALLS		FRAMES (BY OTHERS)				DOORS				REMARKS	LINE NO.					
	QUAN.	ARCH MARK	PDI MARK	HAND	HDWE SIDE	WALL SIDE	WALL TYPE	THK	ROUGH OPNG WIDTH	HEIGHT	ELEV.	OPENING SIZES WIDTH	HEIGHT	LEAD	TRAIL	HEAD			SILL	ELEV.	THK	WIDTH	HEIGHT
1	1-SGL	1037B	1037B	LH	STAGING 1036	STAGE 1034	STL / DRYWALL	10"	NA	NA	NA	104"	200"	7	6	8	10	B	4 1/4"	108"	201 5/8"	9	-
2											(8'-8")	(16'-8")							(9'-0")	(16'-9 5/8")			



- NOTES:**
- ACOUSTICAL RATING: 50 STC
 - FINISH: PDI STANDARD GREY PRIMER
 - FIRE RATING: NONE
 - HARDWARE:
 - PAIR RICHARDS-WILCOX #8881-P17 x PAINTED FINISH 8 WHEEL TROLLEYS WITH 1" DIA PENDANT RATED 5000 LBS
 - RICHARDS-WILCOX #888 BDX TRACK x PAINTED FINISH x 216" LG (RATED 5000 LBS)
 - RICHARDS-WILCOX #888-P338 TRACK HANGER BRACKETS x PAINTED FINISH
 - RICHARDS-WILCOX #888-P341 JOINT TRACK HANGER BRACKETS x PAINTED FINISH
 - RICHARDS-WILCOX #888-P344 END BLIND x GALV
 - RICHARDS-WILCOX #191 PULL HANDLE x PAINTED FINISH
 - RICHARDS-WILCOX #470-P1 RECESSED PULL x PAINTED FINISH
 - #154-P4 STAY ROLLER x FINISH PAINTED
 - PDI FLOOR STOPS x USP FINISH
 - PDI AIR SEAL / SEISMIC RESTRAINTS x USP FINISH
 - SET PDI AUTO AIR SEALS x USP FINISH
 - ELECTRIC POWER OPERATOR - SEE DWG 1631-7
- 5. INSTALLATION NOTES:**
- FRAME AND ITS INSTALL IS BY OTHERS
 - FINISH PAINT BY OTHERS
 - UNLOADING IS EXCLUDED
 - LOT PIPE, HOSE, FITTINGS AND ACCESSORIES REQD BETWEEN AIR SUPPLY AND COMPONENTS TO BE SUPPLIED AND INSTALLED BY OTHERS
 - COMPRESSED AIR SUPPLY BY OTHERS

- FRAME INSTALLATION**
- PROPERLY BRACE AND SUPPORT FRAME DURING INSTALLATION.
 - JAMBS MUST BE PLUMB.
 - HEAD MUST BE LEVEL.
 - ALL DIMENSIONS TO BE WITHIN 1/16".
 - DIAGONAL DIMENSIONS TO BE WITHIN 1/8".

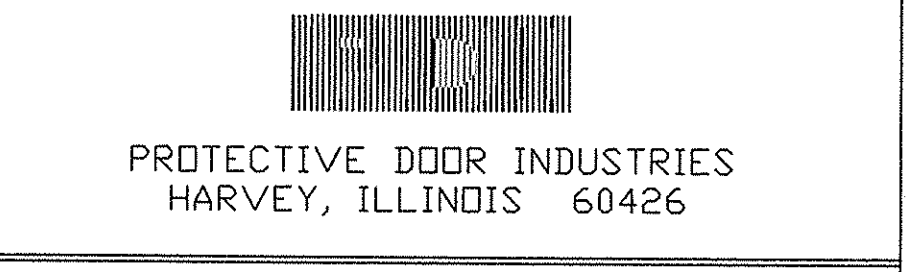
NOTICE

THIS IS A CONFIDENTIAL DISCLOSURE LOANED BY PROTECTIVE DOOR IND. SUBJECT TO THE CONDITIONS THAT IT AND THE INFORMATION EMBODIED THEREIN SHALL BE USED ONLY FOR RECORD AND REFERENCE PURPOSES. SHALL NOT BE USED OR CAUSED TO BE USED IN ANYWAY PREJUDICIAL TO THE INTEREST OF THIS COMPANY. SHALL NOT BE REPRODUCED OR COPIED IN WHOLE OR IN PART, AND SHALL BE RETURNED UPON REQUEST.

- GENERAL CONDITIONS**
- P.D.I. WILL NOT BE LIABLE FOR ANY ERRORS OCCURRING TO OTHER TRADES THROUGH THE USE OF THIS DRAWING.
 - CONTRACTOR TO CHECK ALL DIMENSIONS AT JOB AS P.D.I. ASSUMES NO RESPONSIBILITY FOR GENERAL BUILDING DIMENSIONS.

DATE	MK	DESCRIPTION	BY
REVISIONS			

CUSTOMER:
PROJECT:



TITLE DS4-50-FS SLIDING DOOR ELEVATION AND DETAILS

DRAWN BY MF	CHKD BY
DATE 5/5/06	DATE
SCALE GA	DRAWING NO.
P.D.I. JOB NO. 1631-06	DRAWING NO. 6