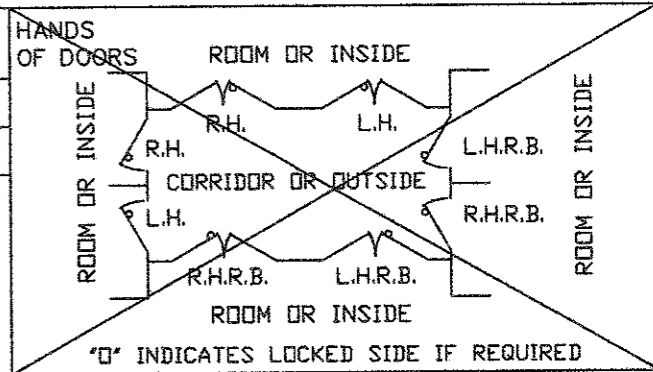


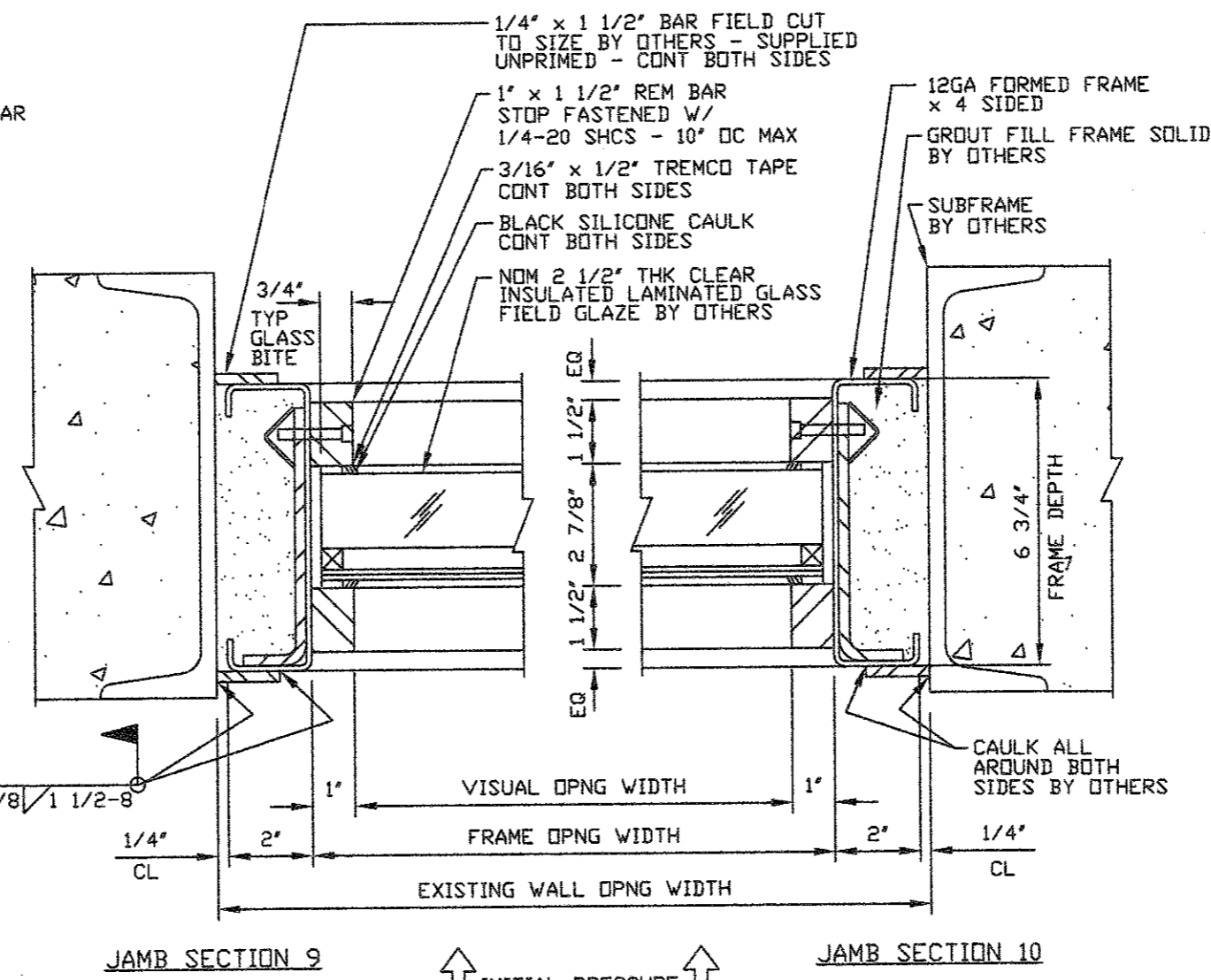
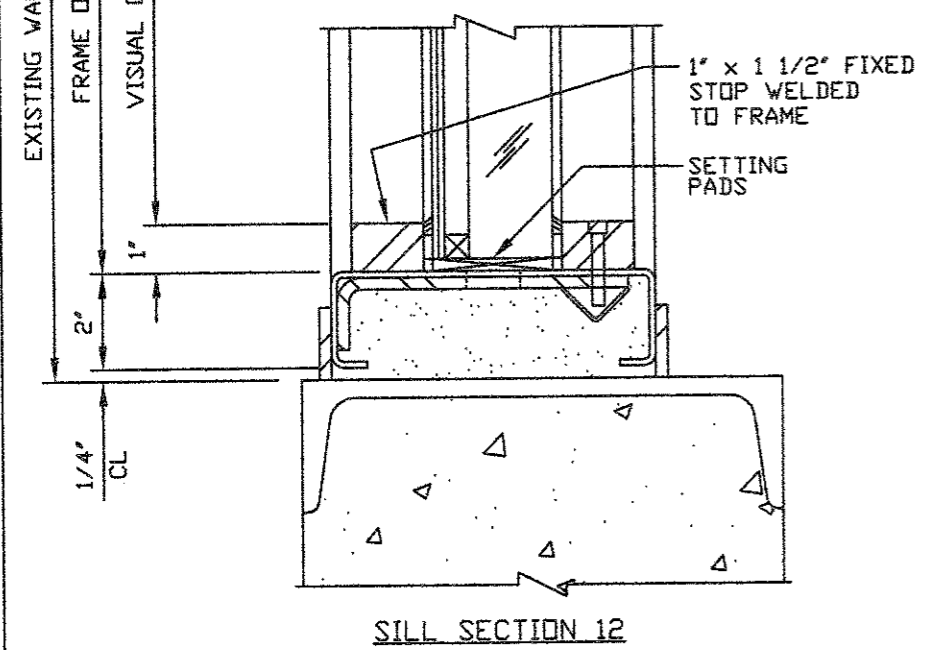
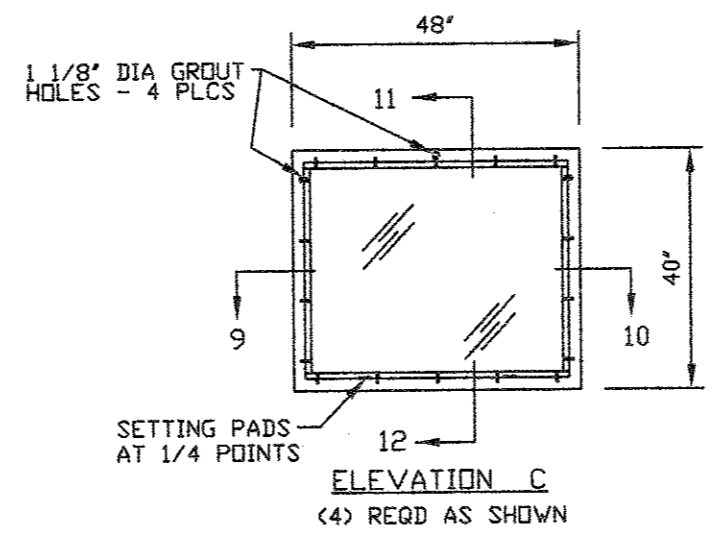
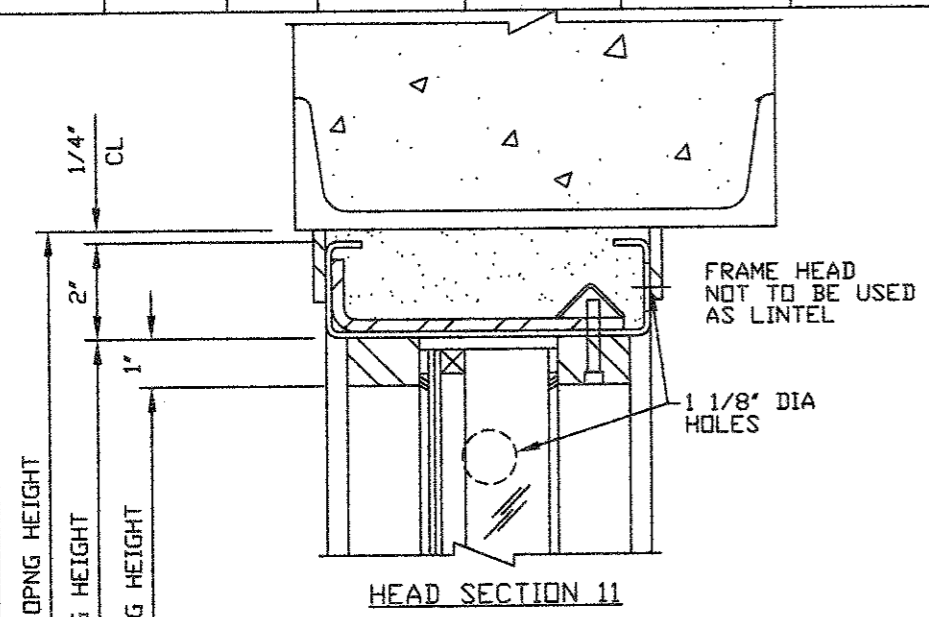
QUAN.	MARK NO.	LOCATION		EXISTING WALL OPNG		FRAME OPNING		VISUAL OPNG		ELEV	SECTIONS				REMARKS
		FIXED STOP	REM STOP	WIDTH	HEIGHT	WIDTH	HEIGHT	WIDTH	HEIGHT		JAMB	JAMB	HEAD	SILL	
4		EXTERIOR	INTERIOR	48 1/2"	40 1/2"	44"	36"	42"	34"	C	9	10	11	12	



IMPORTANT NOTE!
WALL MUST BE CAPABLE OF SUPPORTING 60 LBS/IN IN THE SEATING AND UNSEATING DIRECTIONS


- FRAME INSTALLATION**
1. PROPERLY BRACE AND SUPPORT FRAME DURING INSTALLATION.
 2. JAMBS MUST BE PLUMB.
 3. HEAD MUST BE LEVEL.
 4. ALL DIMENSIONS TO BE WITHIN 1/16".
 5. DIAGONAL DIMENSIONS TO BE TO BE WITHIN 1/8".

- NOTES:**
1. STATIC DESIGN PRESSURE: 3 PSI STATIC EQUIVALENT PRESSURE W/ 100% REBOUND
 2. FINISH: PDI STD GREY PRIMER
 3. FIRE RATING: NONE
 4. GLASS: NOM 2 1/2" THK CLEAR INSULATED LAMINATED GLASS - MAKEUP IS 1/4" LAM / 1/2" AIR SPACE / 1 3/4" LAM FIELD GLAZED BY OTHERS
 5. SETTING PADS: 70-90 DURO RUBBER
 6. GLAZING MATL: 3/16" x 1/2" TREMCO TAPE AND BLACK SILICONE CAULK



NOTICE
THIS IS A CONFIDENTIAL DISCLOSURE LOANED BY PROTECTIVE DOOR IND. SUBJECT TO THE CONDITIONS THAT IT AND THE INFORMATION EMBODIED THEREIN SHALL BE USED ONLY FOR RECORD AND REFERENCE PURPOSES, SHALL NOT BE USED OR CAUSED TO BE USED IN ANYWAY PREJUDICIAL TO THE INTEREST OF THIS COMPANY, SHALL NOT BE REPRODUCED OR COPIED IN WHOLE OR IN PART, AND SHALL BE RETURNED UPON REQUEST.

GENERAL CONDITIONS
P.D.I. WILL NOT BE LIABLE FOR ANY ERRORS OCCURRING TO OTHER TRADES THROUGH THE USE OF THIS DRAWING. CONTRACTOR TO CHECK ALL DIMENSIONS AT JOB AS P.D.I. ASSUMES NO RESPONSIBILITY FOR GENERAL BUILDING DIMENSIONS.

DATE	MK	DESCRIPTION	BY
REVISIONS			
CUSTOMER:			
PROJECT:			
 PROTECTIVE DOOR INDUSTRIES HARVEY, ILLINOIS 60426			
TITLE		WB-X BLAST RESISTANT WINDOWS	
DWG BY	MF	CHKD BY	
DATE	1/17/14	DATE	
SCALE		QA	
DWG NO.	2095-14	SHT NO.	3

PLOT SCALE 1=4
2095-3

MASTER