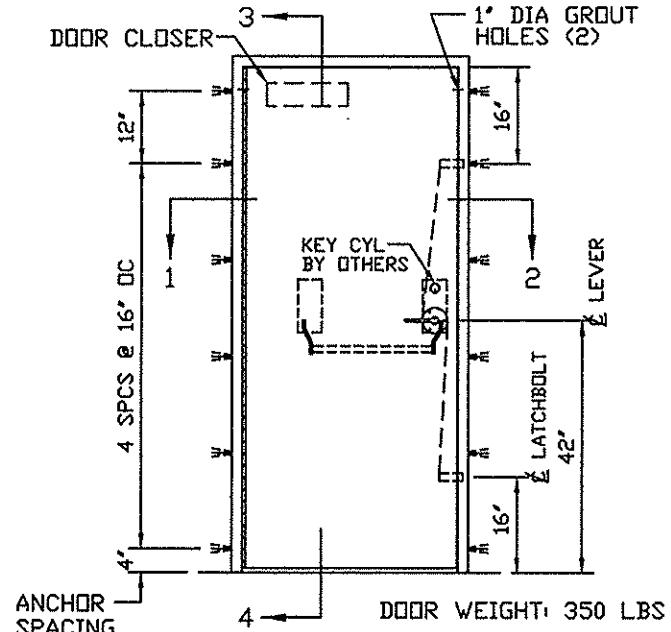
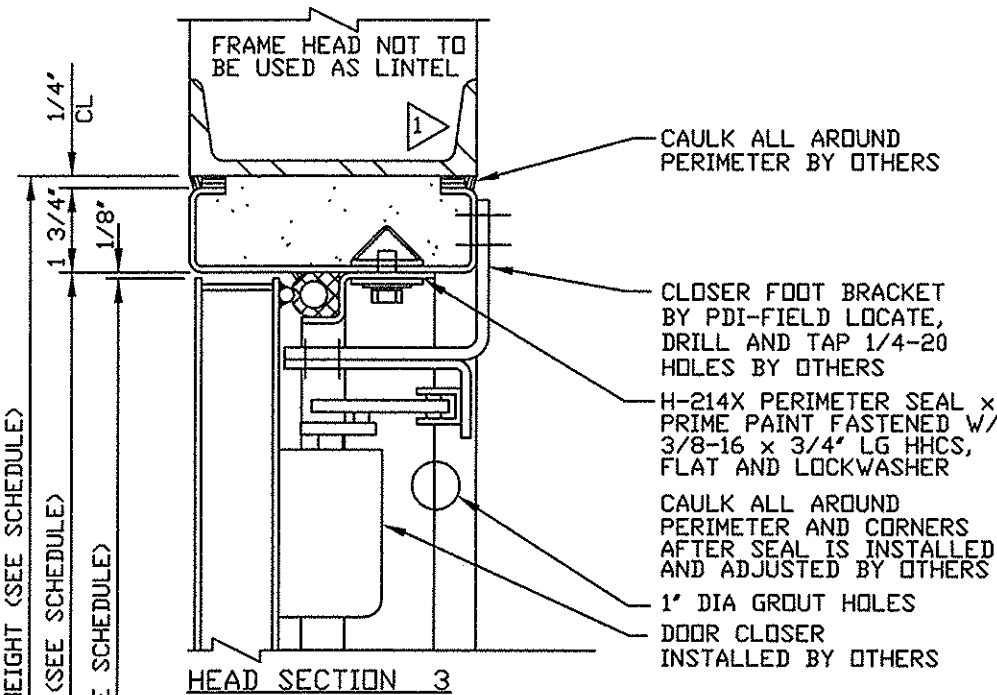
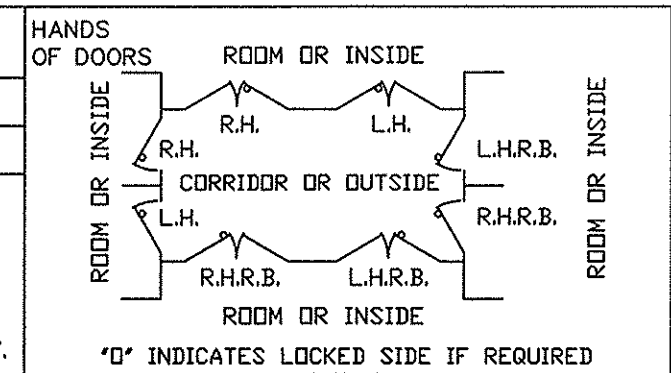
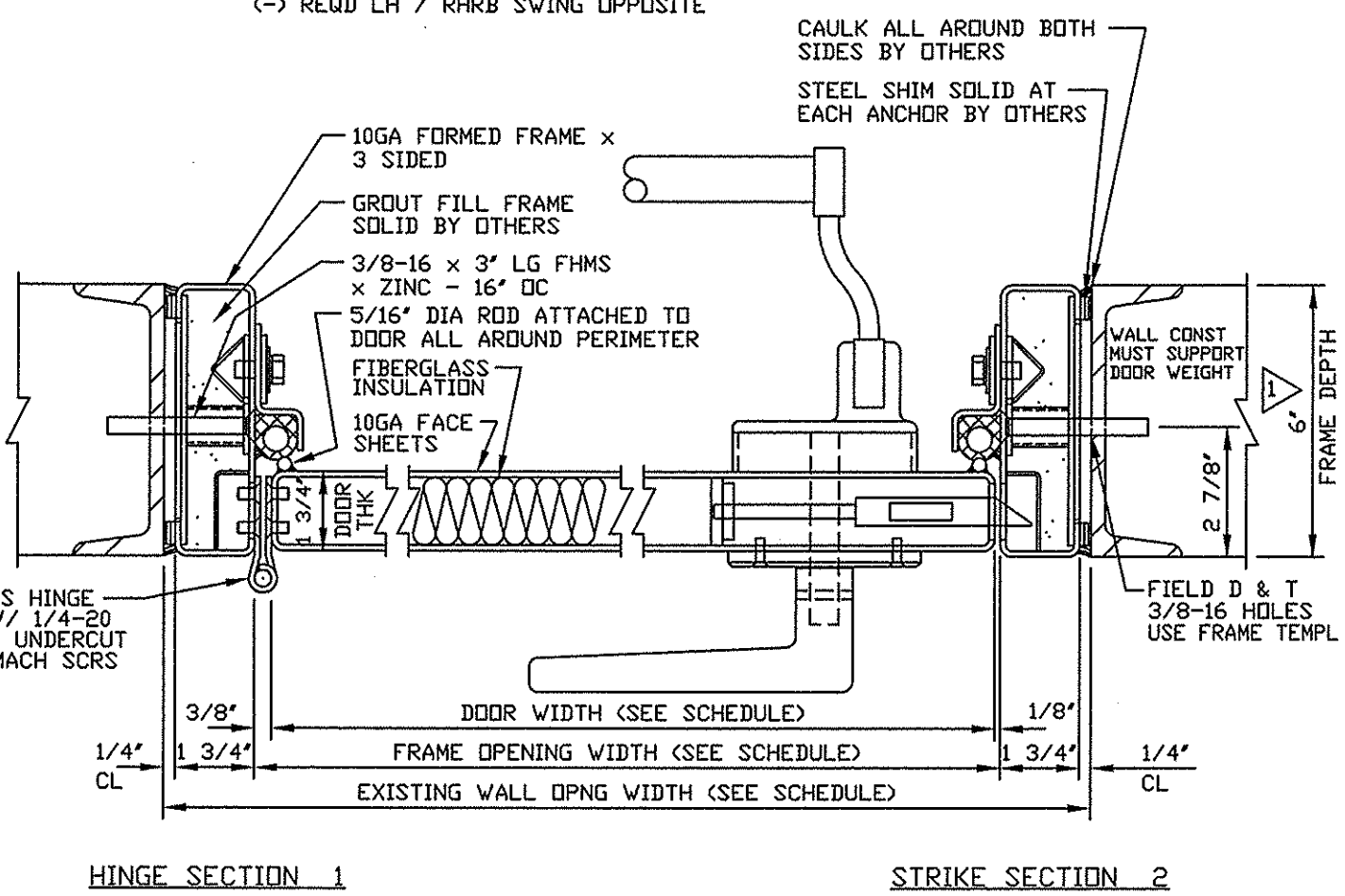
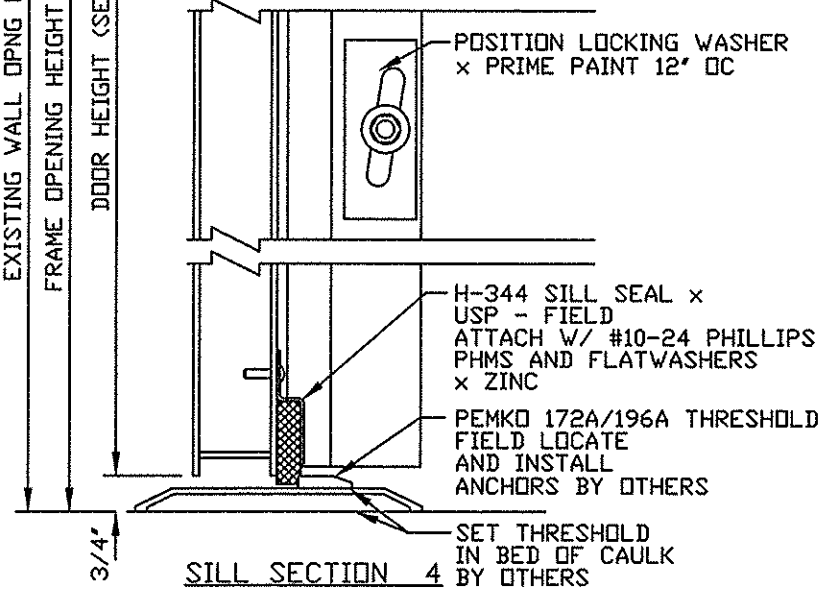


QUAN.	MARK NO	HAND	LOCATION		EXISTING WALL OPNG		FRAME OPNG		DOOR SIZE		DOOR ELEV	SECTIONS				REMARKS	
			HINGE SIDE	STOP SIDE	WIDTH	HEIGHT	WIDTH	HEIGHT	WIDTH	HEIGHT		HINGE	STRIKE	HEAD	SILL		
1	SGL	B80 EAST	LHRB	EXTERIOR	INTERIOR	40"	86"	36"	84"	35 1/2"	83 1/8"	A	1	2	3	4	



- FRAME INSTALLATION**
1. PROPERLY BRACE AND SUPPORT FRAME DURING INSTALLATION.
  2. JAMBS MUST BE PLUMB.
  3. HEAD MUST BE LEVEL.
  4. ALL DIMENSIONS TO BE WITHIN 1/16".
  5. DIAGONAL DIMENSIONS TO BE TO BE WITHIN 1/8".



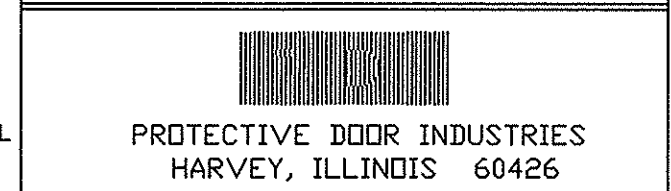
- NOTES:**
1. NOMINAL AIRTIGHT RATING: ALLOWABLE LEAKAGE = 1 CFM @ 0.10" WATERGAUGE PRESSURE DIFFERENTIAL UNSEATING DIRECTION ONLY
  2. FIRE RATING: NONE
  3. CERTIFICATE OF 1 1/2 HR (B) FIRE LABEL CONSTRUCTION
  4. FINISH: PDI STD GREY PRIMER
  5. HARDWARE BY PDI:
    - (1) CONTINUOUS HINGE-11GA LEAVES x 1/4" DIA STAIN STL PIN x BRUSHED FINISH
    - (1) SH-153PC 2 PT HORIZONTAL HARDWARE LEVER x EXIT BAR TRIM x US32D FINISH LESS CYL - FUNCTION: SIM TO 08
    - (1) YALE #4400 DOOR CLOSER x PA ARM x ALUM FINISH
    - (1) PEMKO #172A/196A THRESHOLD x ALUM
  6. HARDWARE BY OTHERS:
    - (1) MORTISED KEY CYLINDER x US26D FINISH x LONG CAM - SHIP TO PDI FOR FACTORY INSTALLATION

DATE	MK	DESCRIPTION	BY
6/26/08	1	PER CUSTOMER APPROVAL	LF

REVISIONS

CUSTOMER:

PROJECT:



TITLE			
SGL DB-150 NOMINALLY AIRTIGHT DOOR AND FRAME			
DWG BY	LF	CHKD BY	
DATE	6/6/08	DATE	
SCALE		QA	
DWG NO.	1749-08	SHT NO.	1

**NOTICE**

THIS IS A CONFIDENTIAL DISCLOSURE LOANED BY PROTECTIVE DOOR IND. SUBJECT TO THE CONDITIONS THAT IT AND THE INFORMATION EMBODIED THEREIN SHALL BE USED ONLY FOR RECORD AND REFERENCE PURPOSES, SHALL NOT BE USED OR CAUSED TO BE USED IN ANYWAY PREJUDICIAL TO THE INTEREST OF THIS COMPANY, SHALL NOT BE REPRODUCED OR COPIED IN WHOLE OR IN PART, AND SHALL BE RETURNED UPON REQUEST.

**GENERAL CONDITIONS**

P.D.I. WILL NOT BE LIABLE FOR ANY ERRORS OCCURRING TO OTHER TRADES THROUGH THE USE OF THIS DRAWING.

CONTRACTOR TO CHECK ALL DIMENSIONS AT JOB AS P.D.I. ASSUMES NO RESPONSIBILITY FOR GENERAL BUILDING DIMENSIONS.

PLOT SCALE 1=4  
1749-1