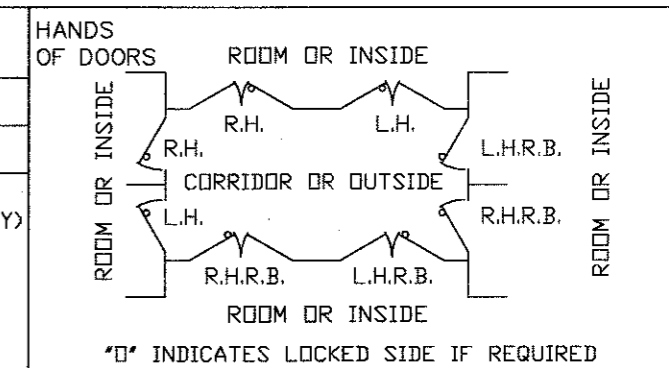



QUAN.	MARK NO	HAND	LOCATION		EXISTING WALL OPNG		FRAME OPNG		DOOR SIZE		DOOR ELEV	SECTIONS				REMARKS
			HINGE SIDE	STOP SIDE	WIDTH	HEIGHT	WIDTH	HEIGHT	WIDTH	HEIGHT		HINGE	STRIKE	HEAD	SILL	
1 SGL	100.2	LHRB	EXTERIOR	INTERIOR	40 1/2"	88 1/4"	36"	84"	35 3/4"	83 1/8"	A	1	2	3	4	
2 SGLS	110.2 117.2	RHRB	EXTERIOR	INTERIOR	40 1/2"	88 1/4"	36"	84"	35 3/4"	83 1/8"	A	1	2	3	4	



- IMPORTANT NOTE: (FROM PRESSURE ONLY)**
WALL MUST BE CAPABLE OF SUPPORTING 42 LB/IN MAX PER JAMB IN THE UNSEATING DIRECTION AND UNSEATING CONCENTRATED LOADS AS FOLLOWS:
AT LATCHBOLTS APPROX 1600 LBS
AT HINGES APPROX 1400 LBS
- FRAME INSTALLATION**
1. PROPERLY BRACE AND SUPPORT FRAME DURING INSTALLATION.
 2. JAMBS MUST BE PLUMB.
 3. HEAD MUST BE LEVEL.
 4. ALL DIMENSIONS TO BE WITHIN 1/16".
 5. DIAGONAL DIMENSIONS TO BE TO BE WITHIN 1/8".
- NOTES:**
1. DESIGN PRESSURE: 2.09 PSI UNSEATING STATIC EQUIVALENT PRESSURE FOR 5 SECONDS
 2. MISSILE DESIGN: 3 IMPACTS FROM A 2 x 4 WEIGHING 15 LBS TRAVELING 100 MPH IMPACT ON HINGE SIDE
 3. FINISH: PDI STD GREY PRIMER
 4. FIRE RATING: NONE
 5. HARDWARE BY PDI:
 - (1) 1/2" PR PDI #SH-100-SS 6" x 6 3/32" x .165" x BRUSHED FINISH x 3/8" DIA SS PIN
 - (1) SH-153PC 2 PT HORIZONTAL HARDWARE LEVER x EXIT BAR TRIM x US32D FINISH x (LESS CYL)
 - FUNCTION: SIM TO 08 CLASSROOM
 - (1) YALE #4400 CLOSER x PA x ALUM FINISH
 - (1) PDI H-280W WEATHERSTRIP x SS FINISH
 - (1) PDI H-344 SILL SWEEP x USP FINISH
 - (1) PEMKO #172A/196A THRESHOLD x ALUM
 6. HARDWARE BY OTHERS:
 - (1) MORTISED KEY CYLINDER - SHIP TO PDI FOR FACTORY INSTALLATION
 - (1) KICKPLATE
 - ANY OTHER HARDWARE NOT LISTED ABOVE

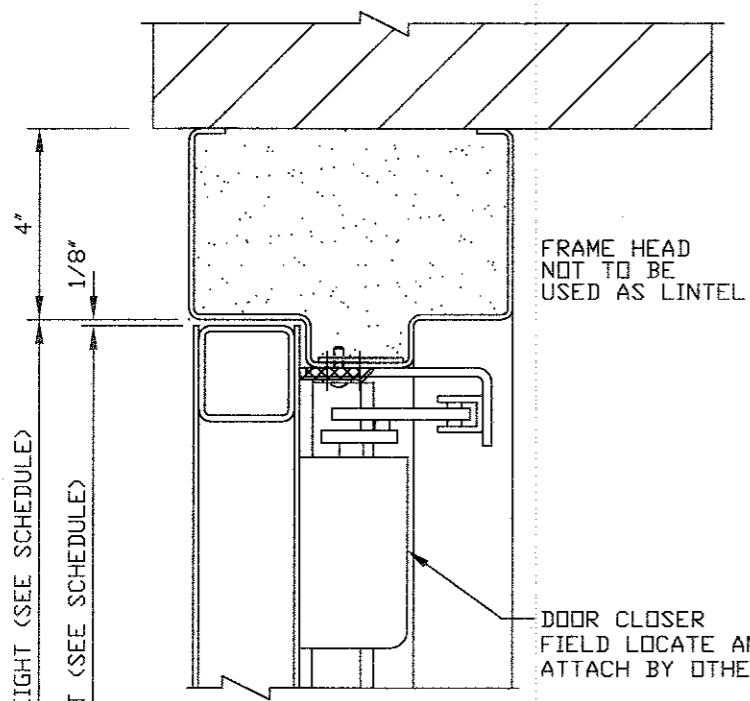
DATE	MK	DESCRIPTION	BY
REVISIONS			

CUSTOMER:
PROJECT:

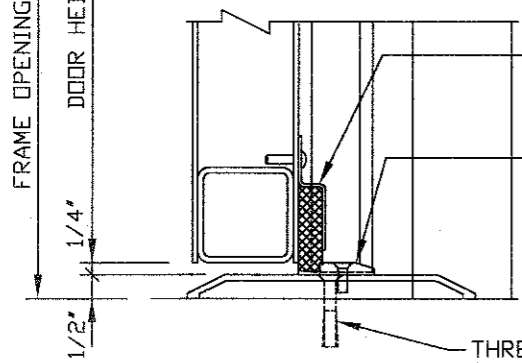

 PROTECTIVE DOOR INDUSTRIES
 HARVEY, ILLINOIS 60426

TITLE DT-200 FEMA 361 SINGLE OUTSWING DOOR AND FRAME

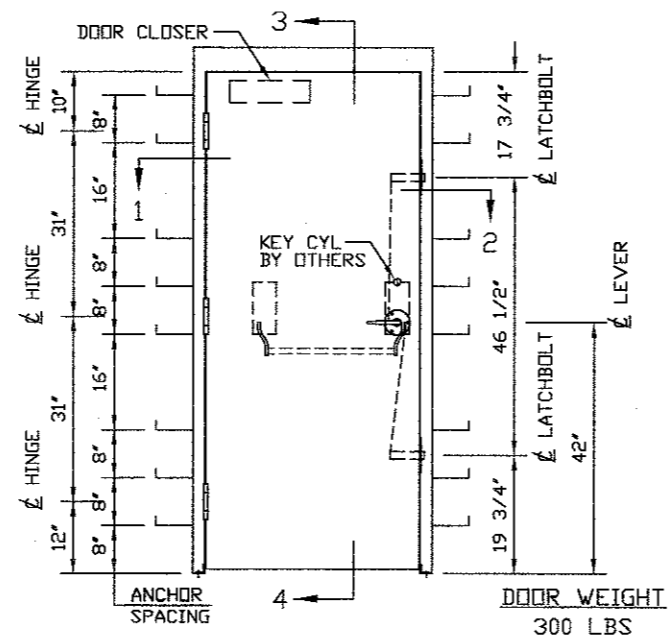
DWG BY	MF	CHKD BY	
DATE	8/16/17	DATE	
SCALE		QA	
DWG NO.	2306-17	SHT NO.	1



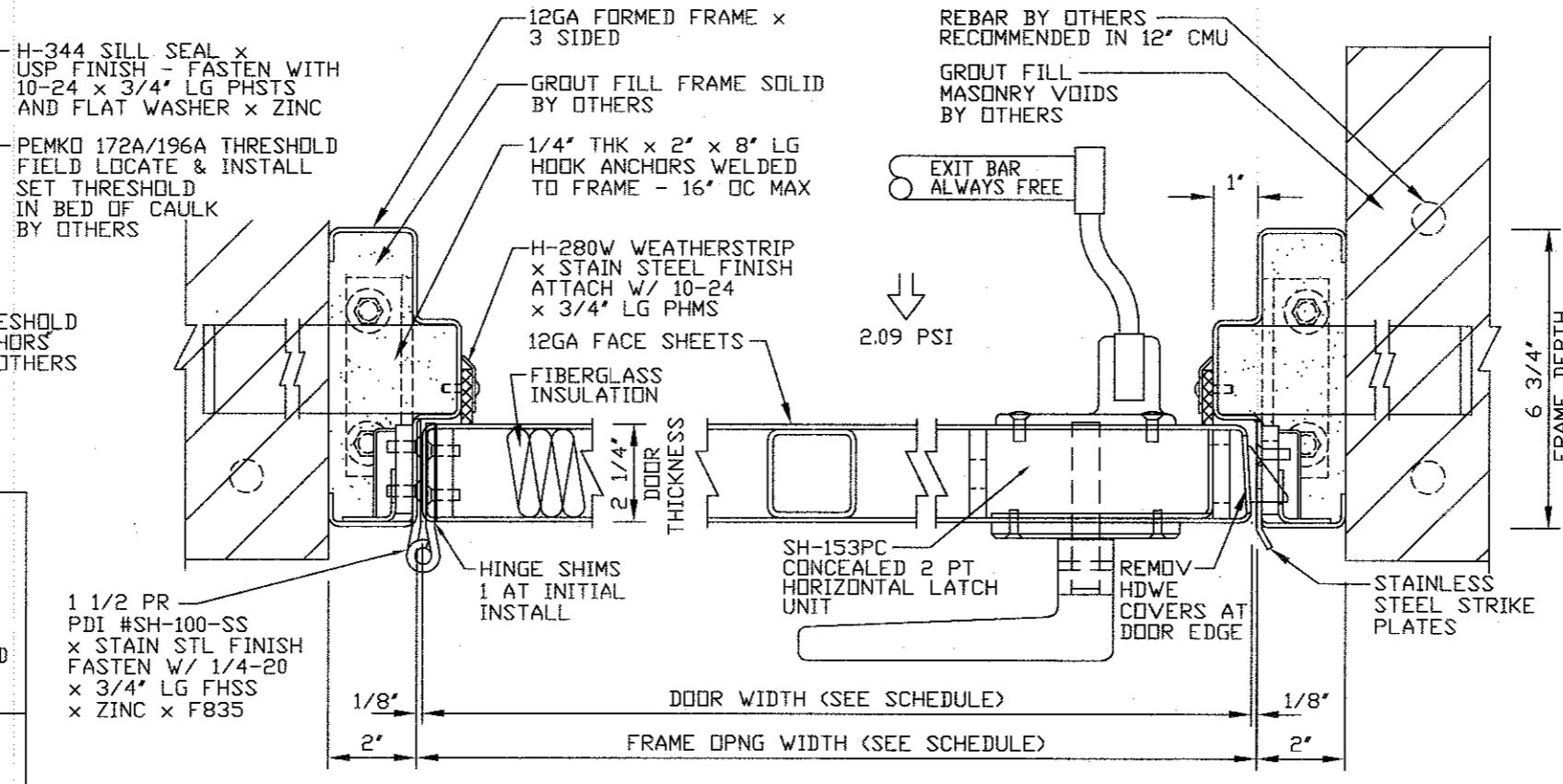
HEAD SECTION 3



SILL SECTION 4



ELEVATION A
RH / LHRB SWING SHOWN
LH / RHRB SWING OPPOSITE



HINGE SECTION 1

STRIKE SECTION 2

NOTICE
THIS IS A CONFIDENTIAL DISCLOSURE LOANED BY PROTECTIVE DOOR IND. SUBJECT TO THE CONDITIONS THAT IT AND THE INFORMATION EMBODIED THEREIN SHALL BE USED ONLY FOR RECORD AND REFERENCE PURPOSES, SHALL NOT BE USED OR CAUSED TO BE USED IN ANYWAY PREJUDICIAL TO THE INTEREST OF THIS COMPANY, SHALL NOT BE REPRODUCED OR COPIED IN WHOLE OR IN PART, AND SHALL BE RETURNED UPON REQUEST.

GENERAL CONDITIONS
P.D.I. WILL NOT BE LIABLE FOR ANY ERRORS OCCURRING TO OTHER TRADES THROUGH THE USE OF THIS DRAWING.
CONTRACTOR TO CHECK ALL DIMENSIONS AT JOB AS P.D.I. ASSUMES NO RESPONSIBILITY FOR GENERAL BUILDING DIMENSIONS.

PLOT SCALE 1=4
2306-1

MASTER