

PRIDE[®]
M O B I L I T Y

Owner's Manual



Jazzy[®] **Carbon 27X**

01. USER'S GUIDELINES	02
02. SAFETY NOTICE	03-07
03. PRODUCT INTRODUCTION	08-10
04. ASSEMBLY AND DISASSEMBLY	11-21
05. OPERATION	22-23
06. BATTERY AND CHARGING	24-27
07. CARE & MAINTENANCE	28
08. WARRANTY	29
09. BASIC TROUBLESHOOTING	30
10. ENVIRONMENT CONDITIONS	31

01. USER'S GUIDELINES

This user's manual is a part of the product. It is essential to read this manual thoroughly and understand the product completely before operating the Jazzy® Carbon 27X.

This user's manual complies with the latest specifications and other product information available at the time of publication. We reserve the right to make changes to our product as deemed necessary. Any changes to our products may cause variations between the illustrations and explanations in this user's manual and the product you have purchased. The latest/current version of this manual is available on our website www.pridemobility.com.

NOTE: This product and its components are not made with natural rubber latex. Consult with the distributor regarding any after-market accessories.

2.1 Unpacking inspection

There are a number of packed accessories in the package. Make sure that you understand these accessories. If any part is missing, contact your authorized distributor.

- Wheelchair x 1
- Battery x 1
- Storage Box x 1
- Charger x 1
- Cushion x 1
- user's manual x 1

2.2 Product safety symbols

The symbols below are used on the travel chair to identify warnings, mandatory actions, and prohibited actions. It is very important for you to read and understand them completely.



Read and follow the information in the owner's manual.



Locked and in drive mode.

Place unit on level ground and stand to one side when changing from drive mode to freewheel mode or freewheel mode to drive mode.

Unlocked and in freewheel mode.



OR



Indicates travel chair securement points.



Class II Equipment.



OR



Manufactured in.



Travel Chair information label.

2.3 General Guidelines



MANDATORY! Do not operate your new Jazzy® Carbon 27X for the first time without completely reading and understanding this owner's manual.

Your Jazzy® Carbon 27X is a state-of-the-art life-enhancement device designed to increase mobility. Pride provides an extensive variety of products to best fit the individual needs of the Jazzy® Carbon 27X user. Please be aware that the final selection and purchasing decision regarding the type of travel chair to be used is the responsibility of the Jazzy® Carbon 27X user, who is capable of making such a decision, and his/her healthcare professional (i.e., medical doctor, physical therapist, etc.).

The contents of this manual are based on the expectation that a mobility device expert has properly fitted the Jazzy® Carbon 27X to the user and has assisted the prescribing healthcare professional and/or the authorized Pride Provider in the instruction process for the use of the product.

There are certain situations, including some medical conditions, where the Jazzy® Carbon 27X user will need to practice operating the Jazzy® Carbon 27X in the presence of a trained attendant. A trained attendant can be defined as a family member or care professional specially trained in assisting a Jazzy® Carbon 27X user in various daily living activities.

As you begin using your Jazzy® Carbon 27X during daily activities, you will probably encounter situations in which you will need some practice. Simply take your time and you will soon be in full and confident control as you maneuver through doorways, on and off of lifts, up and down ramps, and over moderate terrain.

Below are some precautions, tips, and other safety considerations that will help you become accustomed to operating your Jazzy® Carbon 27X safely.

Pre-Ride Safety Check

Get to know the feel of your Jazzy® Carbon 27X and its capabilities. Pride recommends that you perform a safety check before each use to make sure your Jazzy® Carbon 27X operates smoothly and safely.

Perform the following inspections prior to using your Jazzy® Carbon 27X:

- Check all electrical connections. Make sure they are tight and not corroded.
- Check all controller connections to the power base. Make sure they are secured properly.
- Check the brakes. See "Care and Maintenance."
- Check battery charge. See "Battery and Charging."
- Ensure the manual freewheel levers are in drive mode before sitting on the power chair.

NOTE: *If you discover a problem, contact your authorized Pride Provider for assistance.*



WARNING! In the event of a loss of power to the Jazzy® Carbon 27X, transfer to a safe position, seeking assistance if needed. Contact your authorized Pride Provider immediately to report the incident. Failure to transfer to a safe position may result in personal and/or property damage.

GENERAL SAFETY–WARNINGS

- ⓘ **MANDATORY!** This user's manual should be read and fully understood before operating the power chair.
- ⚠ **WARNING!** Failure to obey the instructions which are described in this manual may result in damage to the power chair or body injuries to the user.
- ⓘ **WARNING!** Never should the power chair be used by people with physical or mental limitations that prevent them from safely operating the power chair.
- ⚠ **WARNING!** Never exceed the maximum permissible load – see Specifications.
- ⊘ **WARNING!** Never drive the power chair under the influence of medication or alcohol.
- ⚠ **WARNING!** If you are taking medication check with your health care provider that your ability to control the power chair is not impaired.
- ⚠ **WARNING!** Inspect all electric connections, all controller connections, the brakes and battery charger to get to know your power chair and its capabilities as Pre-Ride Safety Check.
- ⊘ **WARNING!** The power chair is designed for carrying one person only. No additional person may ride on the chair.
- ⚠ **WARNING!** Never attempt to get onto or off your power chair without first turning off the Joystick controller. This will prevent the power chair from moving if accidental Joystick control contact is made.
- ⚠ **WARNING!** Never go down or climb a slope which is greater than the limited maximum degrees - see Specifications.
- ⊘ **WARNING!** Never drive across (traverse) an incline, ramp etc., in any direction.
- ⚠ **WARNING!** Never use the power chair without the anti-tip wheels correctly attached.
- ⊘ **WARNING!** Do not use your power chair on sand, rough terrain, or wet and slippery surfaces.
- ⚠ **WARNING!** This power chair is not intended for use inside a motor vehicle. The power chair could fail in an event of vehicle impact and lead to injury of the power chair user or others.
- ⚠ **WARNING!** Do not use the power chair if it is broken or is not functioning correctly.
- ⚠ **WARNING!** Before leaning or reaching forward, always move your bottom to the back of the chair and align the directions of the castors forwards.
- ⊘ **WARNING!** Never stand on the footplate, which will cause the power chair to tip over and injure the user.
- ⚠ **WARNING!** Always place the power chair on a stable, flat surface before transferring to or from the power chair.
- ⚠ **WARNING!** The anti-tip wheels are only effective on firm ground. They will sink into soft ground such as grass, snow, or mud if the power chair rests on them. They will lose their function and the power chair could tip over.
- ⚠ **WARNING!** Turning your power chair sharply at a high speed will cause loss of control and balance of the power chair to cause tip resulting in serious injuries or death.

2.4 INTENDED USE

This power chair can be used in confined spaces for both indoors and outdoors by the occupant and it is intended to comfortably transport adult people only. The occupant weight is limited to 125kg (275 lbs) . Neither should it be used by people obviously with physical or mental limitations that prevent them from safely operating the power chair, including but not limited to the following:

- Hemiplegics or paraplegics
- Mental disorders
- Visual impairment

The power chair is designed to transport adult people only with small personal items used by the occupant. Any person under the age of 16 should not operate the wheel chair.

2.5 REGARDING DEVICES FOR PRESCRIPTION USE

Our mobility products and their and components are available for sale either as retail("over-the-counter") or with a prescription. When prescribed, the follow statement is applicable.



CAUTION! Federal law restricts this device to sale by or on the order of a physician or other certified personnel licensed by the law of the state (US only) or region in which this personnel practices to use or order the use of the device.

2.6 REMARKS ON ELECTROMAGNETIC COMPATIBILITY (EMC)

Sources of electromagnetic waves (e.g. cell phones) are liable to create interferences. The electronics of this power chair itself could affect other electric appliances too. To reduce the effect of electromagnetic sources of interference, read the following warnings:



WARNING: The power chair might disturb the operation of devices in its environment that emit electromagnetic field.



WARNING: The driving performance of the power chair can be influenced by electromagnetic fields (e.g. electricity generators or high power sources).



WARNING: Avoid using any portable TV or radio in the immediate environment of your power chair for as long as it is turned on.



WARNING: Check the area for transmitter masts and avoid using the power chair close to them.



WARNING: If involuntary movements or braking occur, turn off the power chair as soon as it is safe to do so.

Interfering electromagnetic fields may have a negative effect on the power chair's electronic systems. These can include:

- Disengagement of the engine brake
- Uncontrollable behavior by the power chair
- Unintentional steering movements

In the presence of very strong or enduring interfering fields, the electronic systems could even break down entirely or suffer permanent damage.

POSSIBLE SOURCES OF RADIATION INCLUDE:

Portable receiver and transmitter installations (receiver and transmitter with fixed antenna mounted directly on the transmitting unit)

- Transmitting and receiving sets
- Cell phones or "walkie talkie"
- portable TV, radio and navigation devices
- other personal transmitting devices
- Mobile medium-range transmitting and receiving devices (e.g. car antennas, with the antenna mounted on the outside of the vehicle)
- Fixed transmitting and receiving sets
- Fixed mobile transmitting and receiving devices
- Fixed radio, TV and navigation systems
- Long-range transmitting and receiving devices
- Radio and television towers

Other home devices like CD player, notebook, cordless phones, AM/FM radios, electric shavers and hair dryers, so far as we know, will have no influence provided that they function perfectly and their cabling be in an excellent condition. Please conform to the operating instructions accompanying such electric instruments to ensure trouble free operating of your power chair.

- Do not operate hand-held (transceivers-receivers), such as citizens band (CB) radios, or turn ON personal communication devices, such as cellular phones, while the powered vehicle is turned ON;
- Be aware of nearby transmitters, such as radio or TV stations, and try to avoid coming close to them;
- If unintended movement or brake release occurs, turn the powered vehicle OFF as soon as it is safe;
- Be aware that adding accessories or components, or modifying the powered vehicle, may make it more susceptible to EMI (Note: There is no easy way to evaluated their effect on the overall immunity of the powered vehicle);

03 PRODUCT INTRODUCTION

3.1 Product Features

3.1.1 This product is composed of frame, wheel, seat cushion, armrest, lithium battery, motors and controller. Product features include lightweight and compact design. The whole vehicle can be folded, and be easily pulled after folding. The handrail can be flipped backward.

It is equipped with a high-performance controller to allow easy operation.

The battery cases can be removed for easy replacement.

3.1.2 The waterproof grade of this product is IPX4, and the application part of the shock protection degree is type B.

3.1.3 This product is designed to simplify operations.

3.1.4 Ergonomic seat design provides adequate comfort for the user.

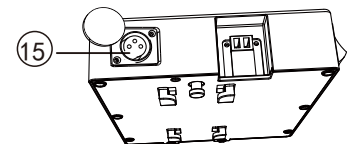
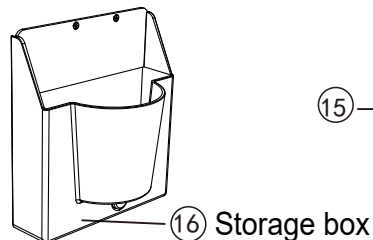
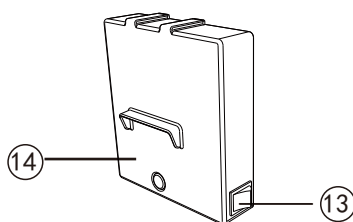
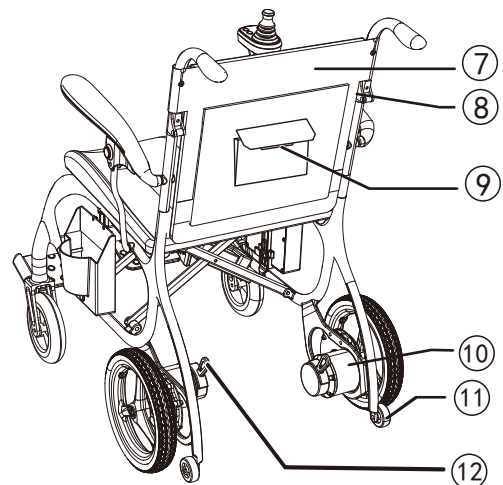
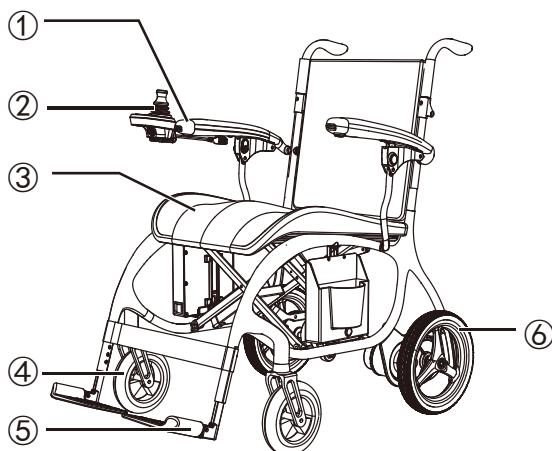
3.1.5 This product is suitable for use indoors and outdoors on flat surfaces nearby buildings.



3.2 Product Structure

The wheelchair consists of carbon fiber frame, carbon fiber wheels, seat, carbon fiber armrests, battery and controller.

3.2.1 Components



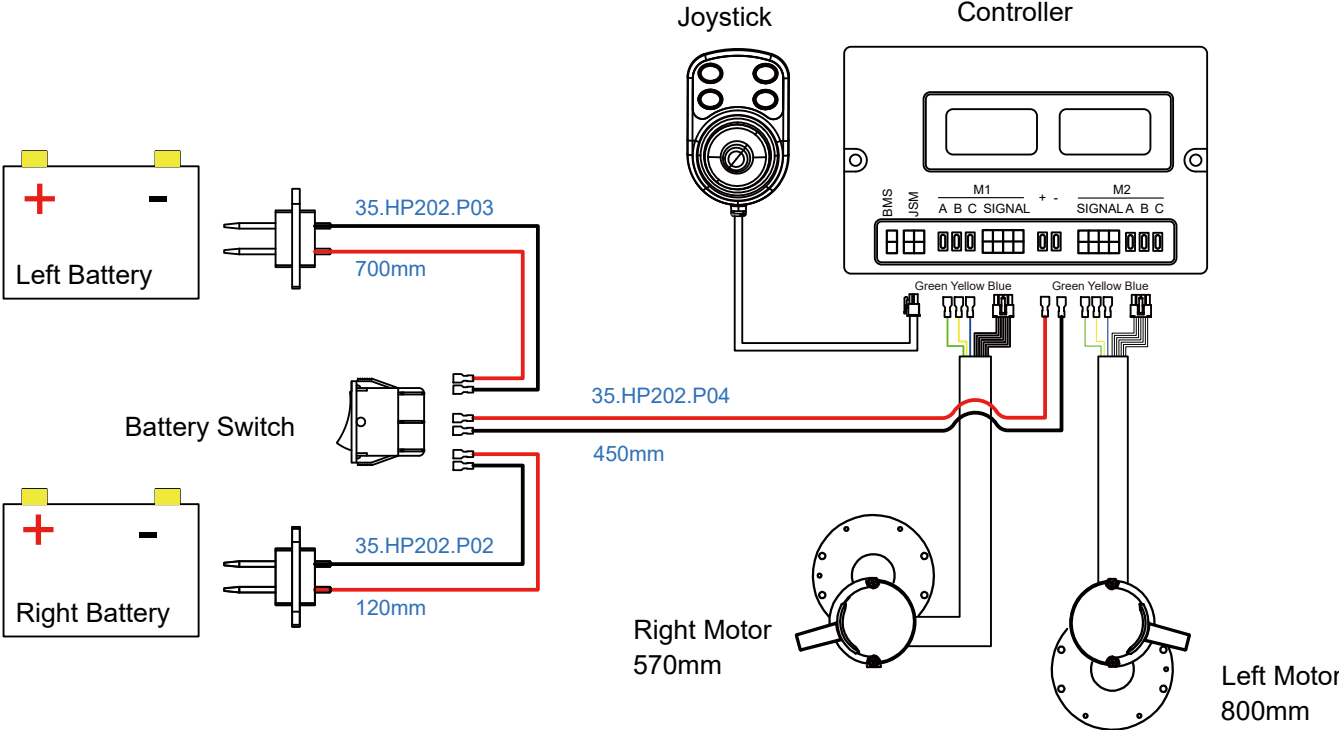
- 1. Armrest
- 2. Joystick
- 3: Cushion
- 4. Front wheels

- 5. Footrest
- 6. Rear wheels
- 7. Backrest
- 8. Backrest folding button

- 9. Back storage bag
- 10. Rear axle components
- 11. Anti-tip wheel
- 12. Electromagnetic brake switch

- 13. Battery switch
- 14. Battery
- 15. Charging port
- 16. Storage box

3.3 Circuit Diagram

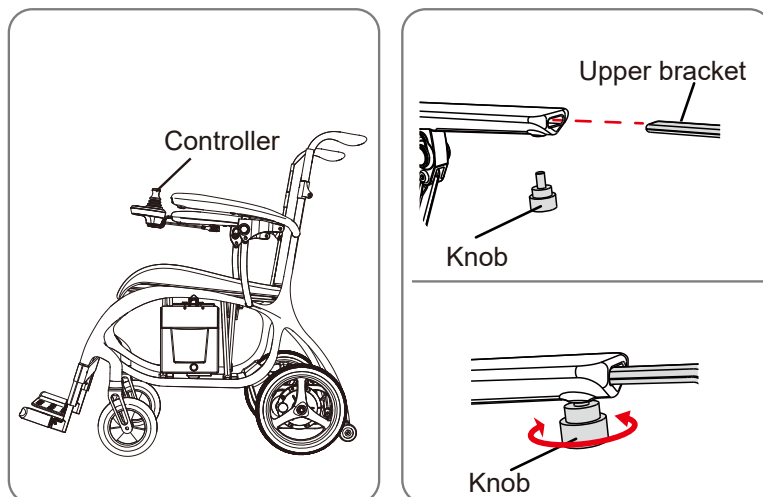


3.4 Technical Parameters


Item No.	Jazzy® Carbon 27X
Frame	Carbon Fiber +Magnesium
Product Weight (W/O battery)	13 KG
Max.Loading Capacity	125 kg
Motor(Output rating)	24V 150W
Lithium Battery	24V/10Ah (1pcs or 2pcs is optional)
Charger	29.4V 3.5A MIC,AC PLUG
Front Wheel	7" PU solid tire
Rear Wheel	10" PU solid tire
Backrest	Foldable
Armrest	Flip-up
Foorest	Flip-up
Brake	Electromagnetic brake
Seat Cushion,Backrest Cushio	Mesh fabric
Unfolded Measurement	1040x585x900 (mm)
Folded Measurement	865x300x765 (mm)
Seat Width	440 mm
Seat Depth	420 mm
Seat height above ground	500 mm
Height between seat cushion and	234 mm
Backrest Height	400 mm
Max Speed	6.0KM/h
Static stability	10°
Dynamic Stability	8°
Level road brake performance	1m
Max. safe slope braking	≤3.6 m (6°)
Slope performance	10°
Climbing capacity	8°
Spanning Capacity	40 mm
Ditch-crossing width	100 mm
Min. Turning Radius	900 mm
Travel Distance(10AH)	13 Km

4.1 Controller Installation/Removal


Insert the upper bracket of the controller into the fixed tube of the armrest as shown in the diagram and then tighten it with the knob. Operate oppositely if operated with left hand.





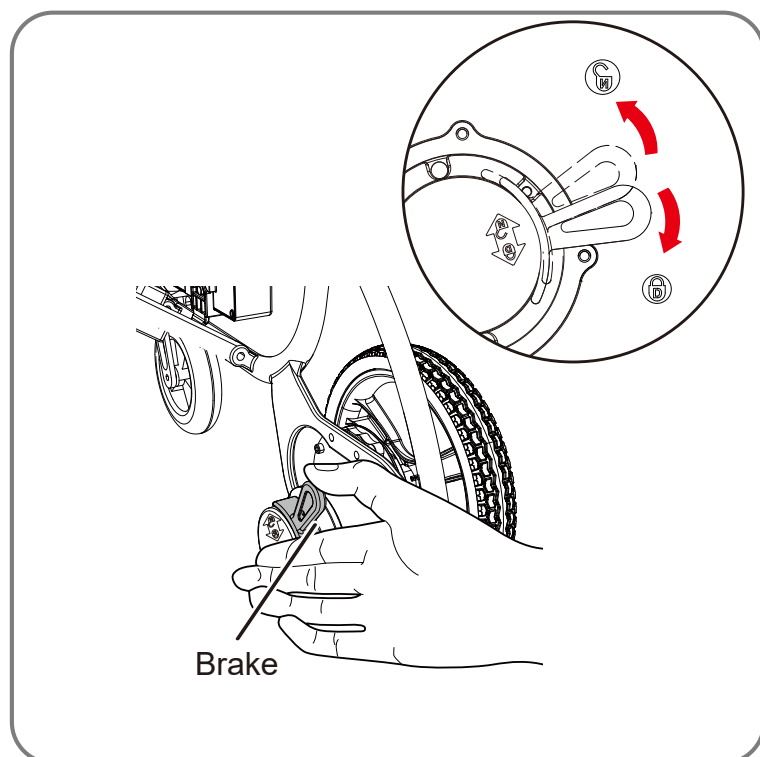
4.2 Brake

Pull the handle to the open position  to put the wheelchair in the brake-release position and you can push the wheelchair manually. When the handle is pushed to the closed position, the wheelchair is in the braking state and cannot be pushed.

WARNING:

The brake must be in the closed state  i.e., the wheelchair can be started when it is in the braking state.

 It is forbidden to use the  opening function when the wheelchair goes uphill or downhill in order to ensure the safety of the user and wheelchair.



WARNING:

1. Turn off the power button on the controller before the brakes are closed and do not sit on the seat while the brakes are opened. Do not open the brakes when the wheelchair is on a slope or any sloped position.
2. The brake system is in the open state when the brake is opened.
3. When the brake is opened, the wheelchair can only be pushed on the horizontal surface. After that, please put the electromagnetic brake to the closed state.

04. ASSEMBLY AND DISASSEMBLY

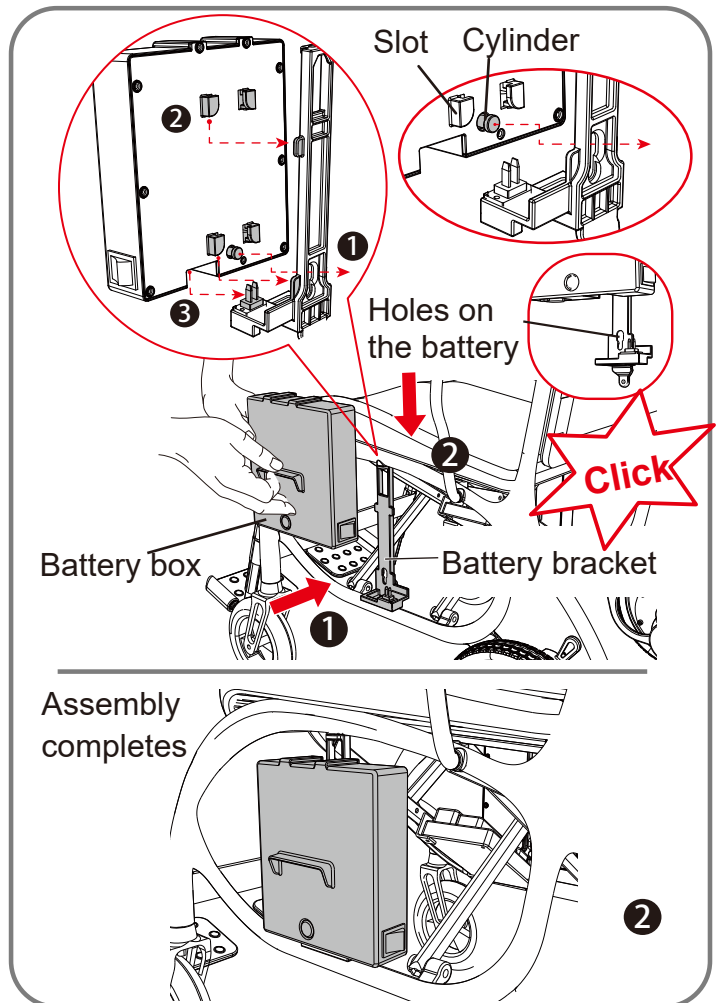
4.3 Install and remove the battery box

4.3.1 Install the battery box:

Attach the battery boxes on one side of the wheelchair. Four slots and a cylinder behind the battery box are requested to align with the holes and fulcrums on the battery bracket and then clamp downwards until a "click" sound is heard and the battery box are properly attached.

⚠ Attention:

Before the battery installation, make sure to align the cylinder behind the battery box with the hole on the battery bracket, which can easily get the battery attached in place.



4.3.2 Removal and replacement:

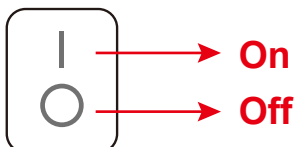
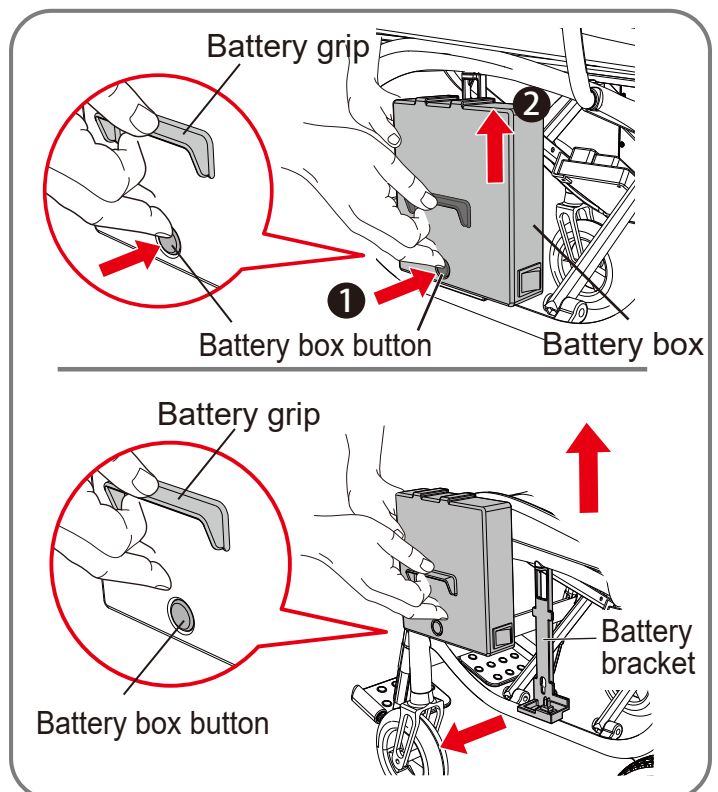
Press down the button on the battery box and lift the battery grip up to remove it.

⚠ Attention:

When lifting the battery, you can let your hand that presses the battery box button go.

⚠ Attention:

- ① Make sure the switch is on position "I", that is, the power switches on.
- ② Hold the battery box with both hands to prevent it from falling off when assembly and disassembly of the battery box.



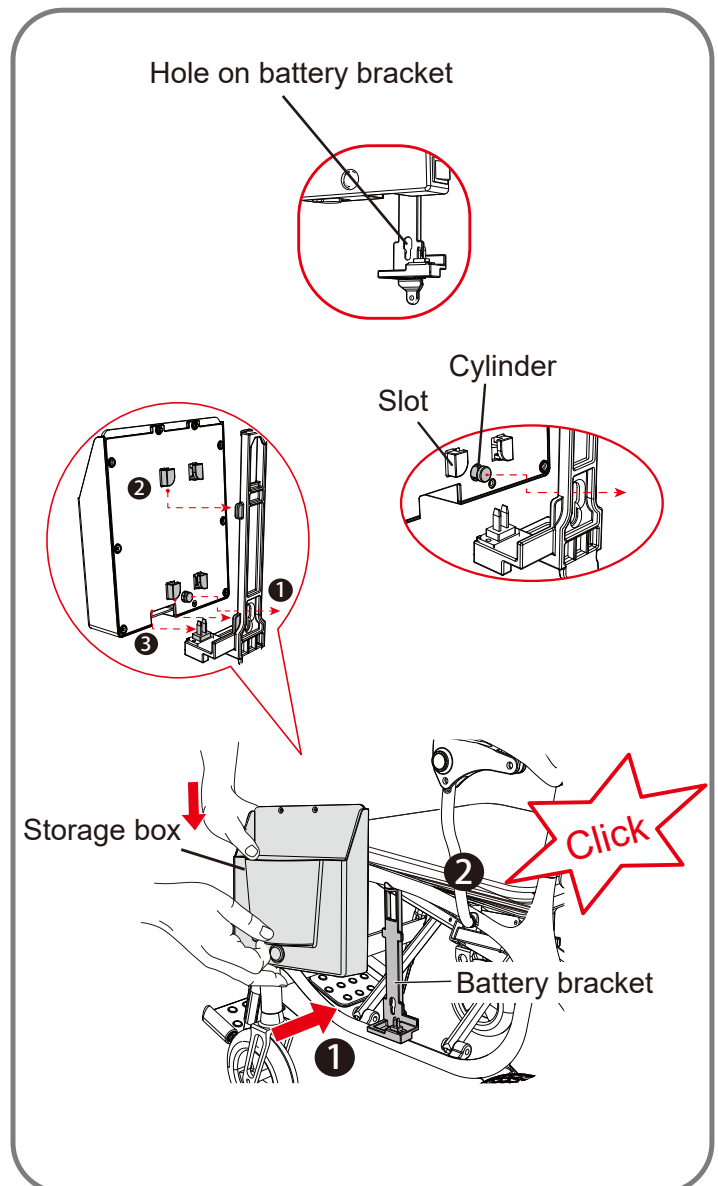
4.4 Install and remove the storage box

4.4.1 Install the storage box:

Attach the storage box on either side of the wheelchair where no battery box is installed. Four slots and one cylinder behind the storage box are to align with the holes and fulcrum on the battery bracket. Push downwards to clamp the storage box until a “click” sound is heard. The Storage box is now securely installed.

Attention:

Before attaching the storage box, make sure to precisely align the cylinder behind the storage box with the hole on the battery bracket, which will make the installation much easier.



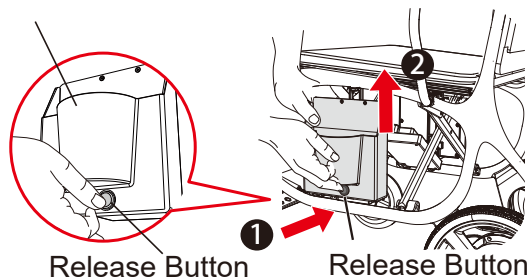
4.4.2 Remove the storage box

Press down the Release Button on the front side of the Storage box. Hold the bottom of the storage box and lift the storage box out of the battery bracket.

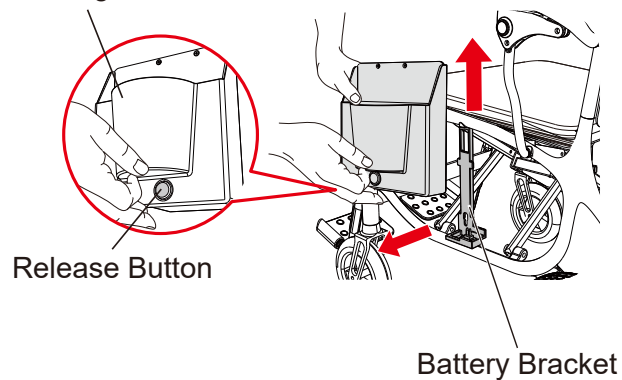
Attention:

When lifting the storage box, you can let your hand that presses the battery box button go.

Storage box



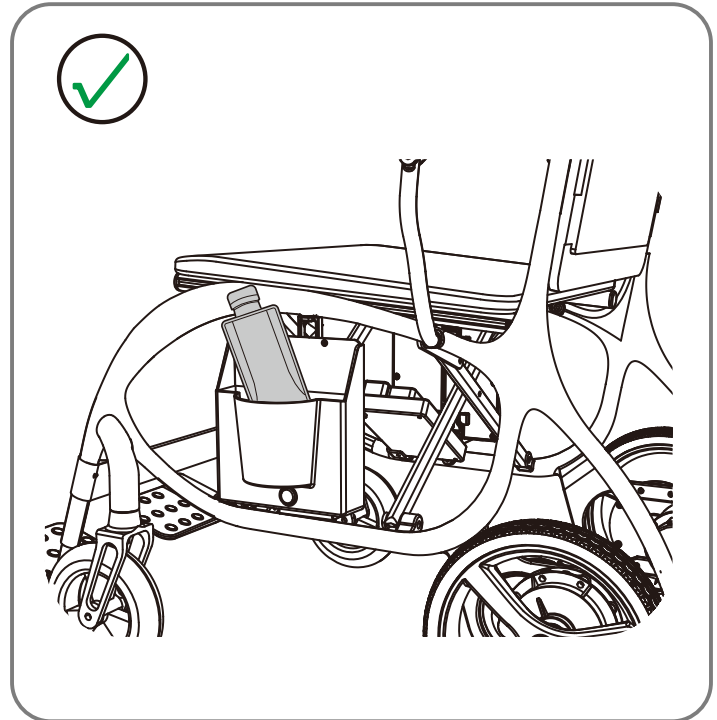
Storage Box



04. ASSEMBLY AND DISASSEMBLY

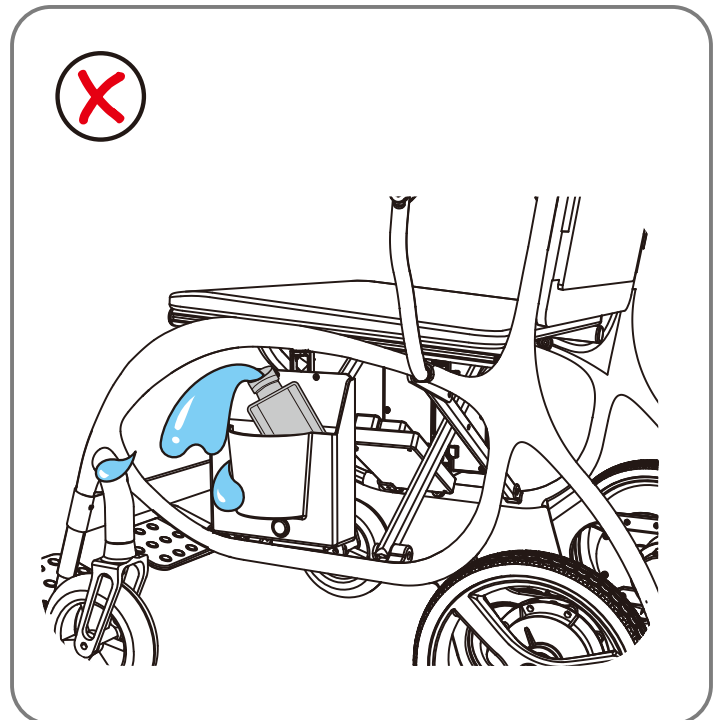
4.4.3 Usage of storage box

- ① Uncontained liquid is not allowed to store in the storage box.
- ② If liquid is incidentally spilled into the storage box, immediately turn off the power of the Power Wheelchair and remove the storage box from the battery bracket.
- ③ Clean and completely dry the storage box before reinstallation.



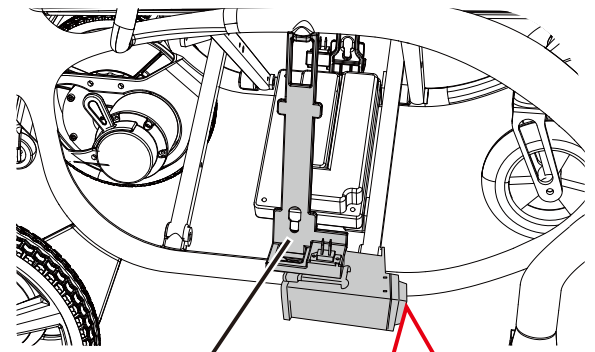
4.4.4 Specifications

- ① Weight capacity: 3.3 lb. (1.5 kg)
- ② Size: 7 x 6.5 x 3 in. (178 x 165 x 76 mm)

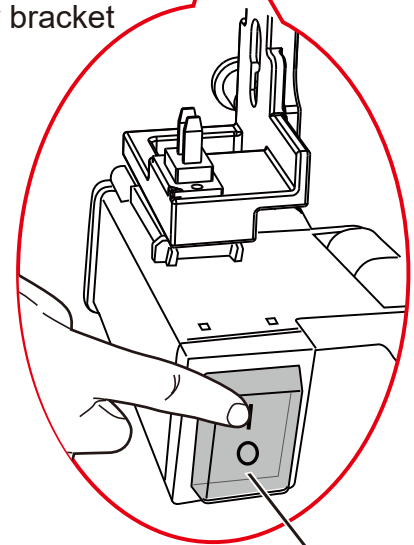


4.5 Battery Toggle switch

A toggle switch is equipped onto the right battery bracket. Toggle the left and right battery with toggle switch. Position “|” and “○” (see Figure on the right) means the left or right battery is respectively activated.

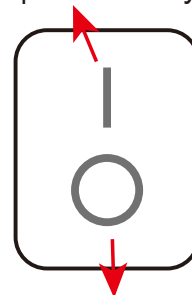


Battery bracket



Toggle switch

Position “|” - left battery is activated.



Position “○” - right battery is activated.

Note:

Left and right are determined by user's forward direction.

Attention:

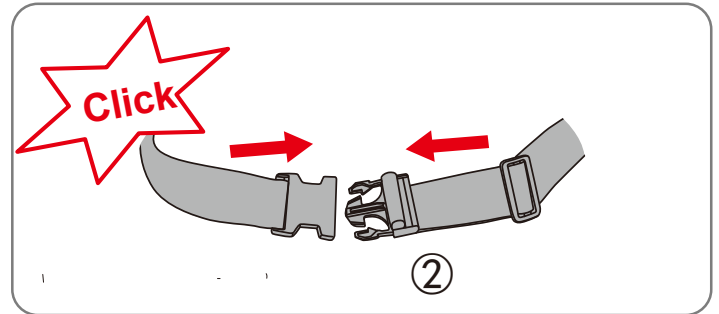
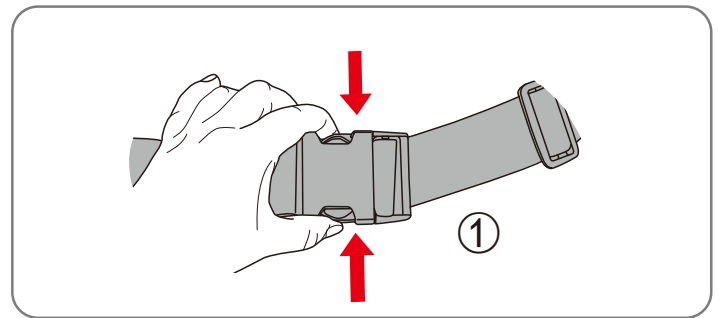
The joystick must be powered off during the change-over of left and right batteries.

4.6 Seat Belt Removal and Installation

1. Hold the buckle on the seat belt and press together to unbuckle the seat belt.
2. Align the buckle with the insert, press down until you hear the "click" sound.

WARNING

Please fasten the seat belt when you sit in the wheelchair.



4.7 Anti-tip Wheel

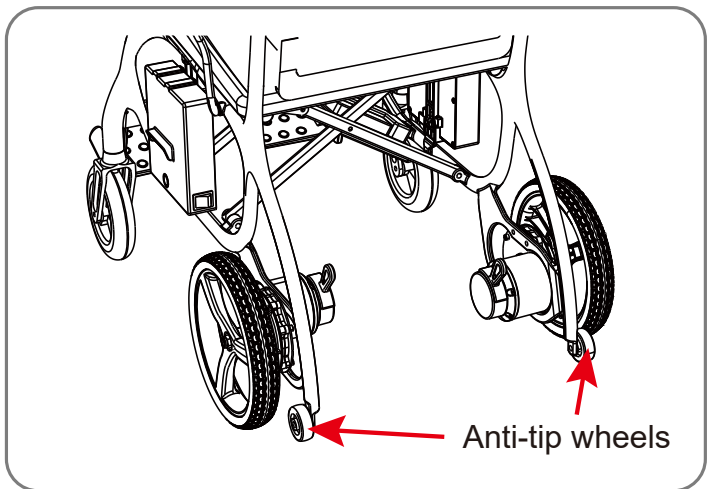
The wheelchair is equipped with anti-tip wheels, which are used to prevent the wheelchair from tipping over in an emergency. The anti-tip wheels of this wheelchair cannot be removed.

WARNING

Do not drive the wheelchair after the anti-tip wheels are removed or damaged.

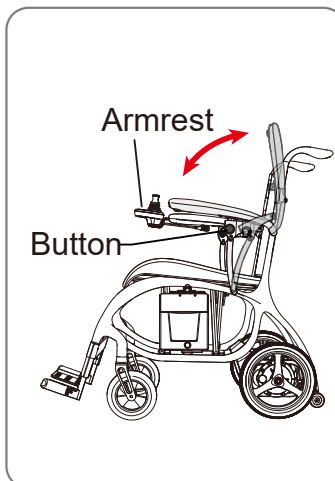
WARNING

Anti-tip wheels are only suitable for hard surfaces. If the road is muddy, the anti-tip wheel may get stuck.



4.8 Armrest Adjustment

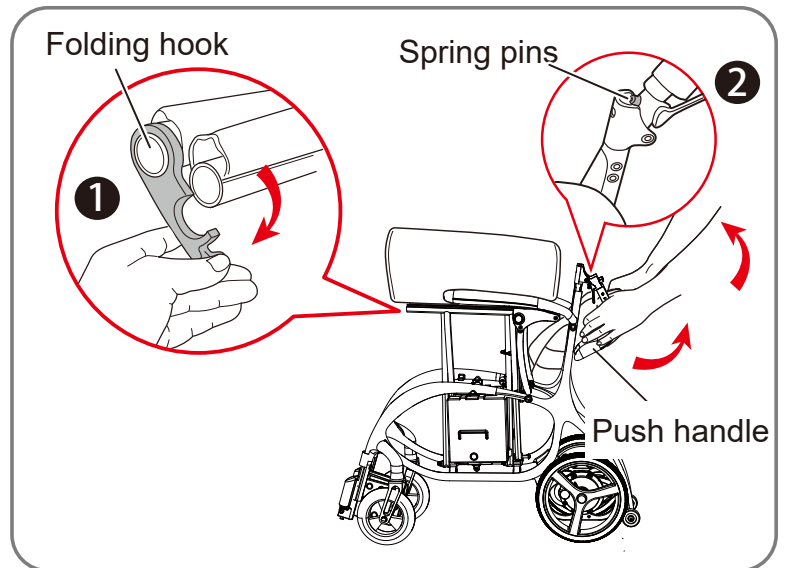
- ① Press the black button on the side.
- ② The armrest can be lifted up or down, making it easy to get in or out of the wheelchair.



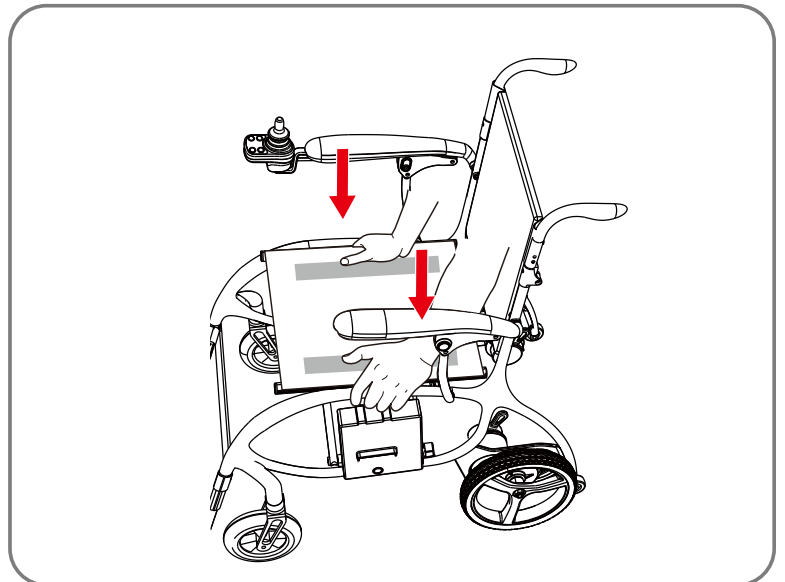
04. ASSEMBLY AND DISASSEMBLY

4.9 Unfolding the wheelchair

4.9.1 Take out the wheelchair from its carton, unlock the folding hook (see Fig.1), then hold the handle as shown on Figure 2 and lift them up until the spring pins are inserted into the push handle.



4.9.2 Press down the seat crossbars with both hands until the wheelchair are completely unfolded.



4.10 Footrest height adjustment

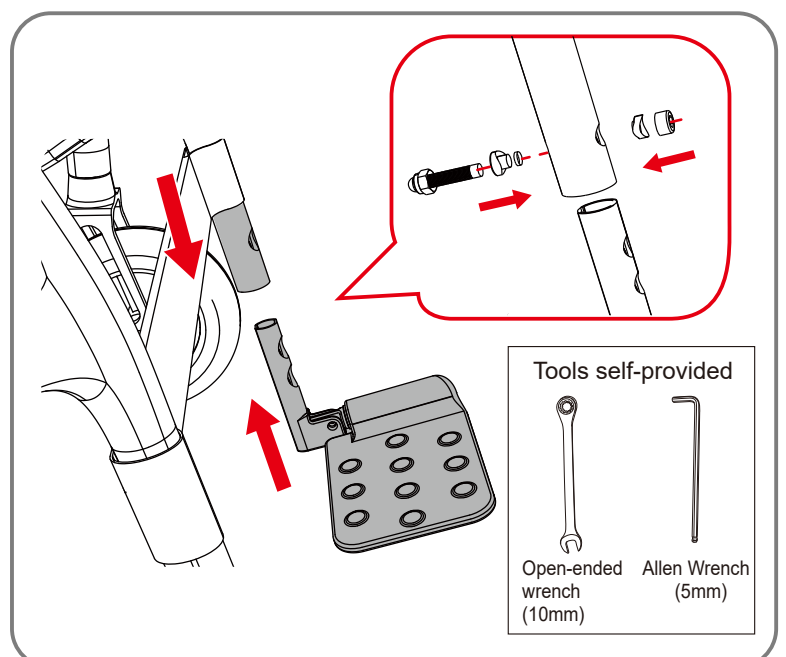
Loosen the screws and nuts with an open-ended wrench and Allen wrench and change the hole to adjust the height (See figure on the right.)

Note:

The footrest has been adjusted to its optimal height before leaving the factory.



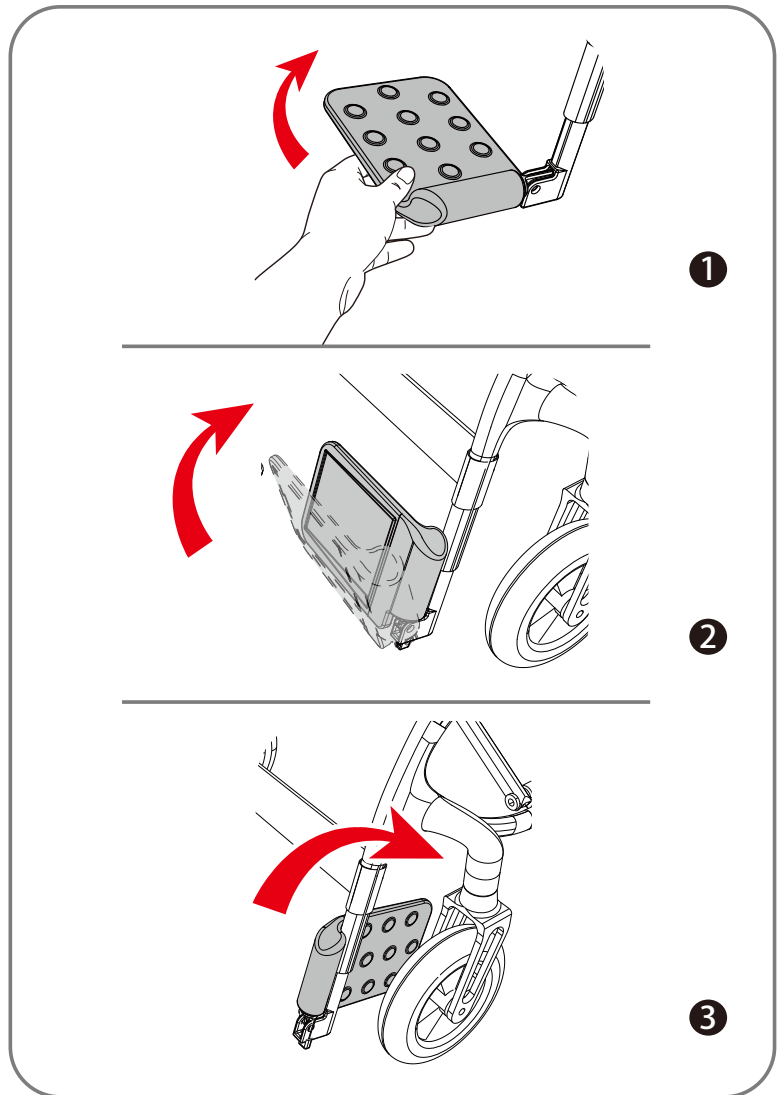
Open-ended wrench and Allen wrench are the self-provided tools.



4.11 Folding and unfolding the footrest (see Figures on the right.)

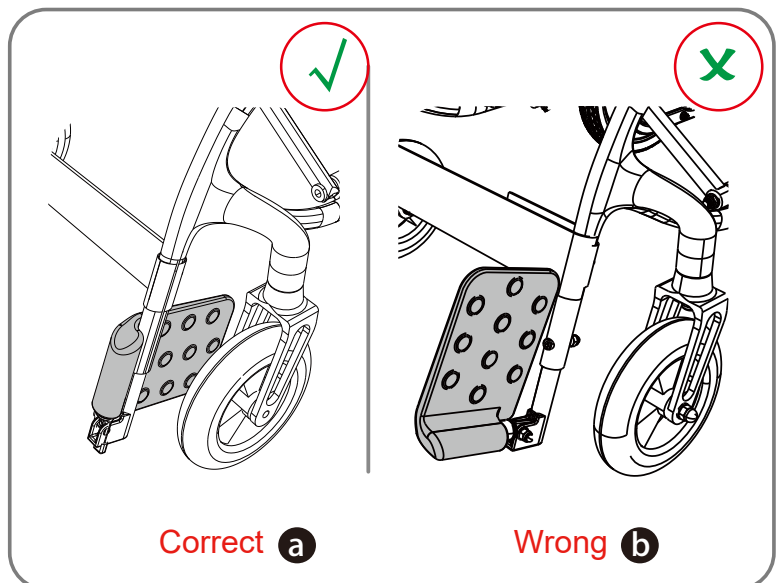
Flip up the footrest (see Fig.1), and get it folded inwards as shown on Fig.2 and 3.

For unfolding, do the opposite.



Attention:

1. Correct folding (see Fig. a): the footrest must be flipped up first before folding inwards.
2. Wrong folding (see Fig.b) : the footrest is flipped up directly from left and right side, which can not be folded inwards.



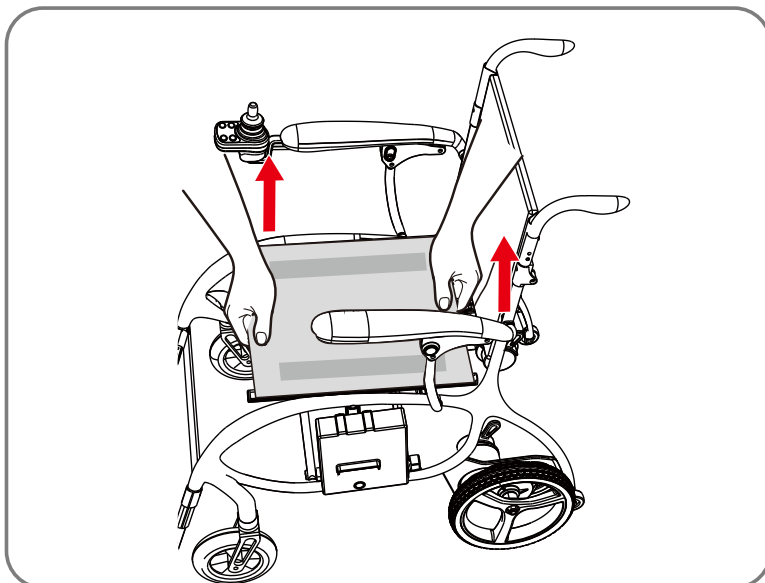
4.12 Folding the wheelchair

4.12.1 Footrest folding:

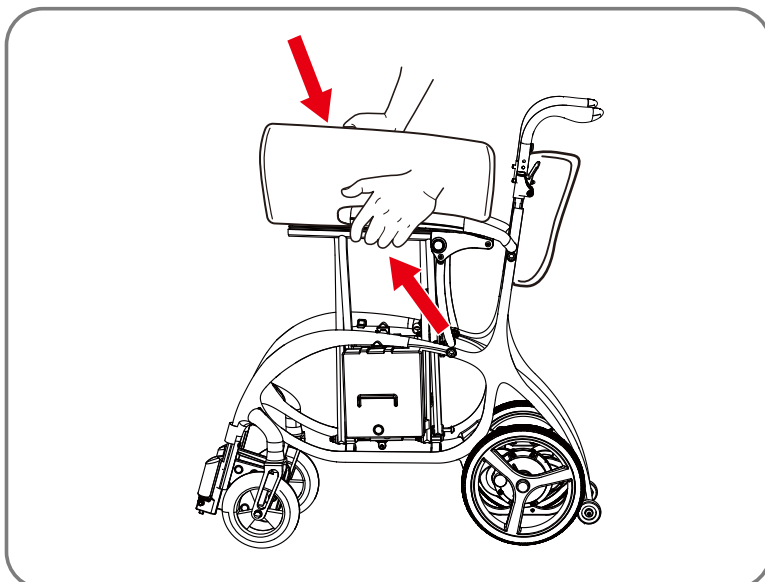
Flipping and folding the footrest (As picture 4.11 shown.)

4.12.2 Wheelchair folding

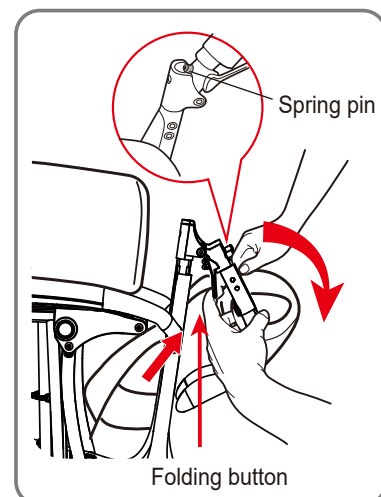
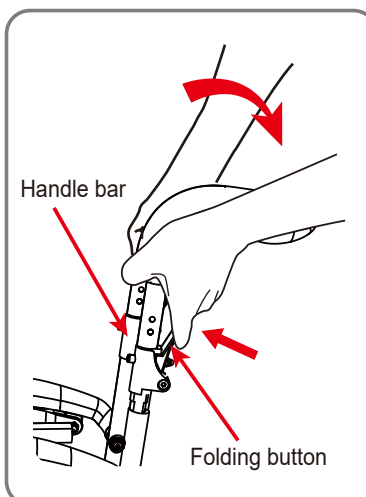
4.12.2.1 Catching hold the seat upholstery as the right side picture shown, and pull up it with two hands to make frame close.



4.12.2.2 Hold on both sides of armrests and push inwards at the same time until wheelchair is folded .



4.12.2.3 Holding the handle bar and pressing down the the folding button, meanwhile, lifting the handle bar slightly until the spring pin detach from the hole on the handle bar sleeve, then fold it down.



04. ASSEMBLY AND DISASSEMBLY

4.13 Storage

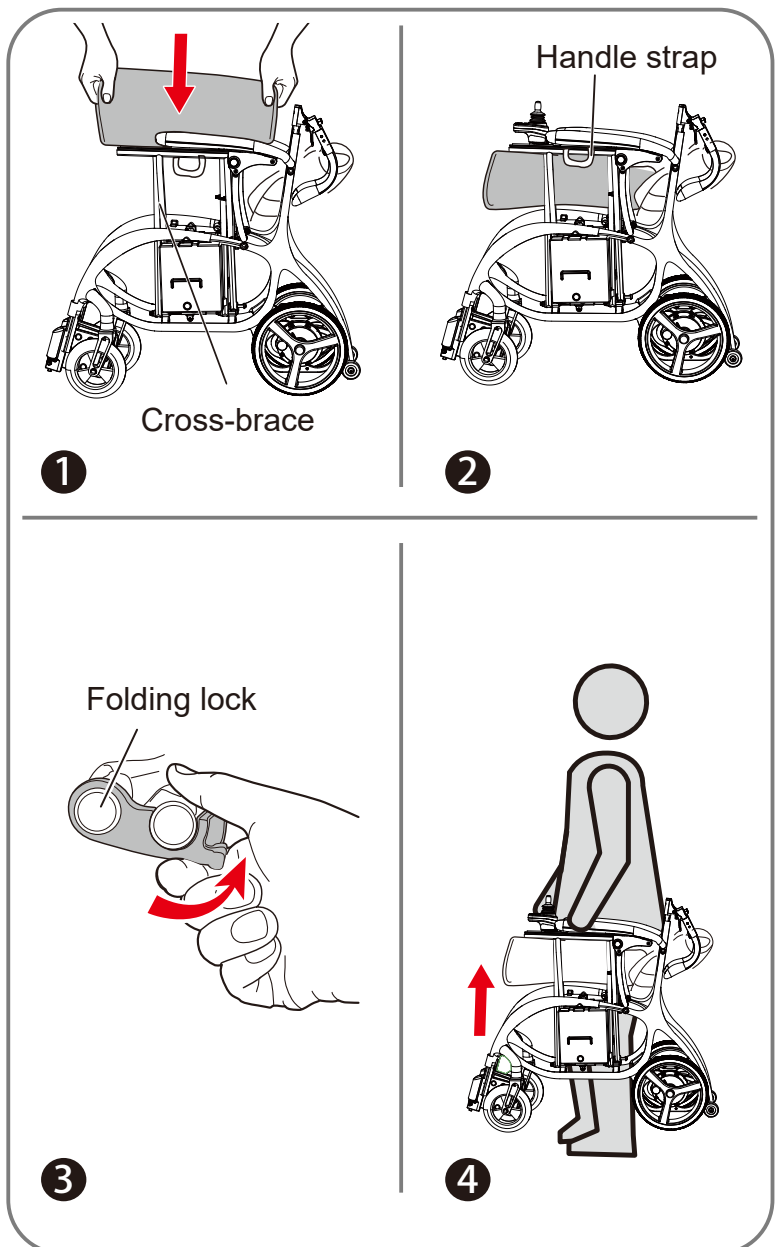
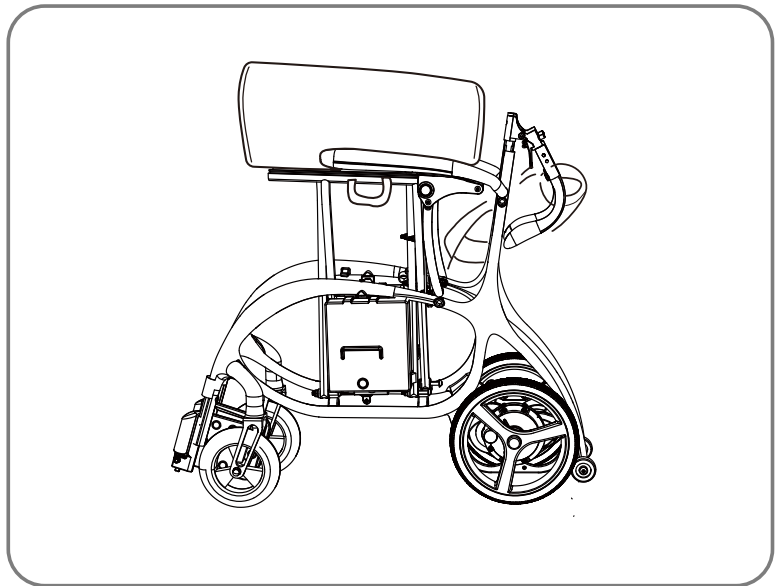
After folding the wheelchair, it can stand on end for easy storage and save space.

4.14 Portability

1. Taking away the cushion and flipping down the seat upholstery while folding the wheelchair (Picture ①), then exposing the handle straps (Picture ②) on both sides of seat.
2. Please buckle the folding lock after wheelchair is folded to avoid frame opening (Picture ③).
3. When you need to carry up with the wheelchair, you can easily lift up whole product with the handle straps (Picture ④).

WARNING

1. Please make sure there are no obstacles around the this electric wheelchair before open or fold it.
2. Before open or fold this product, please pay attention to your fingers, keep your hand away from its mechanical joints to avoid getting hands pinched.
3. Please don't sit on it and driving this electric wheelchair when it in the state of folding or incompletely open.
4. Please make sure the wheelchair is fully open before you sit on or drive it.



5.1 JOYSTICK CONTROLLER



1. Slow Speed Button

5. Horn Button

2. On/off Button

6. High Speed Button

3. Battery Gauge

7. Joystick

4. Speed Indicator

1. **SLOW SPEED BUTTON:** Press to slow the speed.

2. **ON/OFF Button:** Press once to turn on the powerchair and press once to turn-off the powerchair.

3. **BATTERY GAUGE:** Indicates the battery voltage. Green is fully charged; Amber is half full and Red indicates that the battery needs charging.

4. **SPEED INDICATOR:** Indicates the speed set by the 'Slow Speed' or 'Increase Speed' buttons.

5. **HORN BUTTON:** This button activates a warning horn.

6. **High SPEED BUTTON:** Press to increase the speed.

7. **JOYSTICK CONTROLLER:** The Joystick controls the direction in which you travel. Push forward to go forward, pull back to go backwards, left to go left and right to go right.

⊘ WARNING

It is forbidden to turn off the power during driving, as this operation will suddenly make the powerchair stop and tip over.

5.2 BEFORE SITTING ON YOUR POWERCHAIR

- Make sure the battery box switch is in the 'On' position.
- Make sure the Freewheel levers are in the 'Drive' position (see 4.2 Manual Freewheel levers).
- Make sure that the battery is fully charged.
- Secure the seat belt.
- Make sure the powerchair is fully opened and that the seat tubes are located correctly on the side brackets (see 4.6 Unfolding the powerchair).
- Make sure that the Joystick lever is turned off to prevent the powerchair from moving if accidental Joystick contact is made.

5.3 STARTING

- Make sure you are seated safely.
- Make sure the footrests are fitted at the correct height for your feet.

5.4 STEERING

- The Joystick allows you to steer the powerchair. We recommend that you lower the speed setting to the lowest speed until you have gained experience and practice in maneuvering the powerchair.
- Make sure to maintain sufficient clearance when turning your powerchair so that the rear wheels will be clear of any obstacles.
- Show even greater caution when steering in reverse.

5.5 DRIVING ON INCLINES, SLOPES AND RAMPS

- When driving your powerchair, never descend or climb a gradient which is greater than recommended.
- Always drive straight up or straight down an incline, ramp, slope etc.
- Never drive across (traverse) an incline, ramp etc, in any direction-Driving across an incline, ramp etc could result in turning the powerchair over resulting in serious injury or death.
- Try and keep the powerchair moving when climbing or descending an incline. If you must stop, restart, and accelerate slowly and carefully.

WARNING! When driving on slopes the stopping distance of the powerchair can be significantly greater than on level ground.

6.1 GENERAL INFORMATION & INSTRUCTIONS ON CHARGING

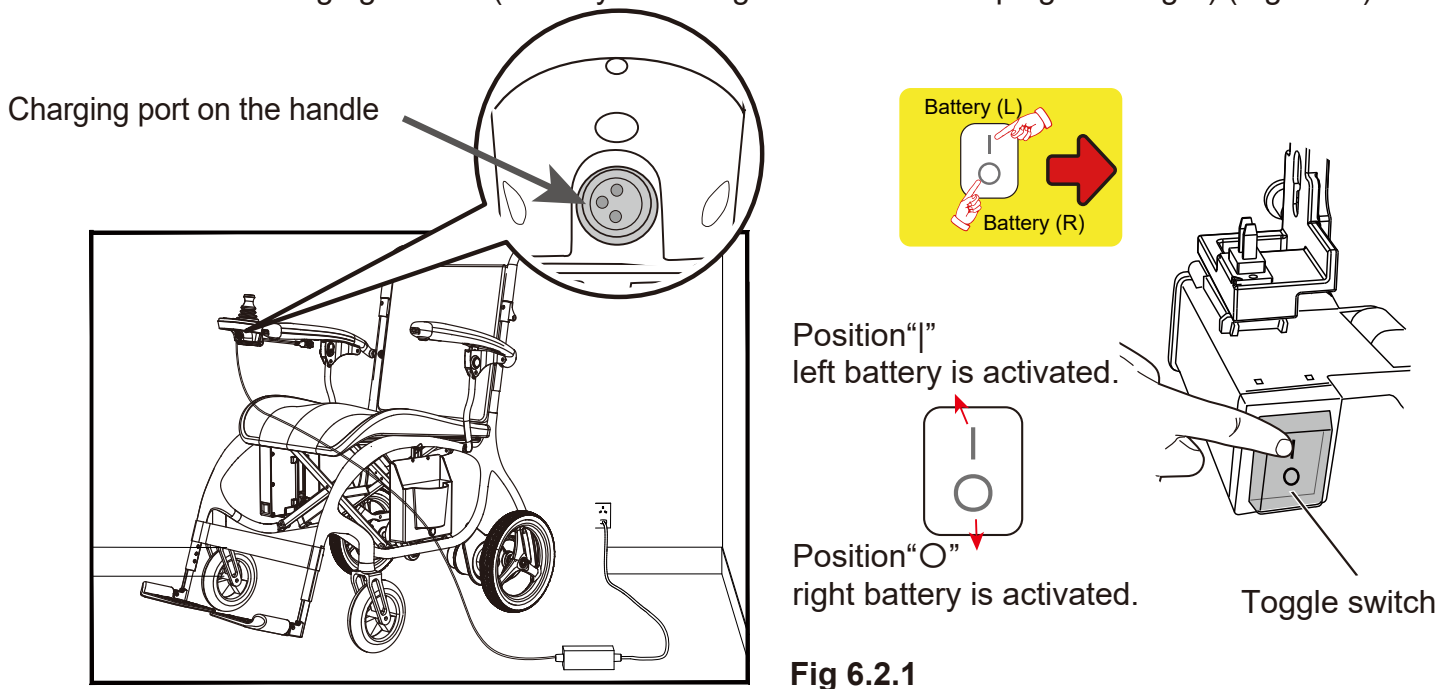
Your powerchair requires a lithium battery that is sealed and maintenance free. The battery is recharged by the supplied off-board charging system.

- Fully charge your powerchair's battery for at least 10 to 12 hours prior to using it for the first time. The new battery will be at its full capacity after having run through approx. 10-20 charging cycles (break-in period). This break-in period is necessary to fully activate the battery for maximum performance and longevity.
- Keep the battery fully charged to keep your powerchair running smoothly. Charge the battery daily after every discharge even after partly discharge. Depending on the level of discharge, it can take up to 12 hours until the battery is fully charged again.
- If the battery indicator has reached the red LED range, charge the battery for 16 hours minimum, ignoring the charge complete display!
- Even if the powerchair is unused for long period of time, the battery should have a regular charge to make sure that the battery remains fully charged.
- Do not cycle your battery at a low state of charge without regularly recharging it fully.
- Do not charge your battery under extreme temperatures. High temperatures above 40°C(104°F) are not recommended for charging as well as low temperatures below 10°C(50°F).
- Protect your charger from sources of heat such as heaters and direct sunlight. If the battery charger overheats, charging current will be reduced and the charging process delayed.

06. BATTERY CHARGING

6.2 CHARGING YOUR BATTERY

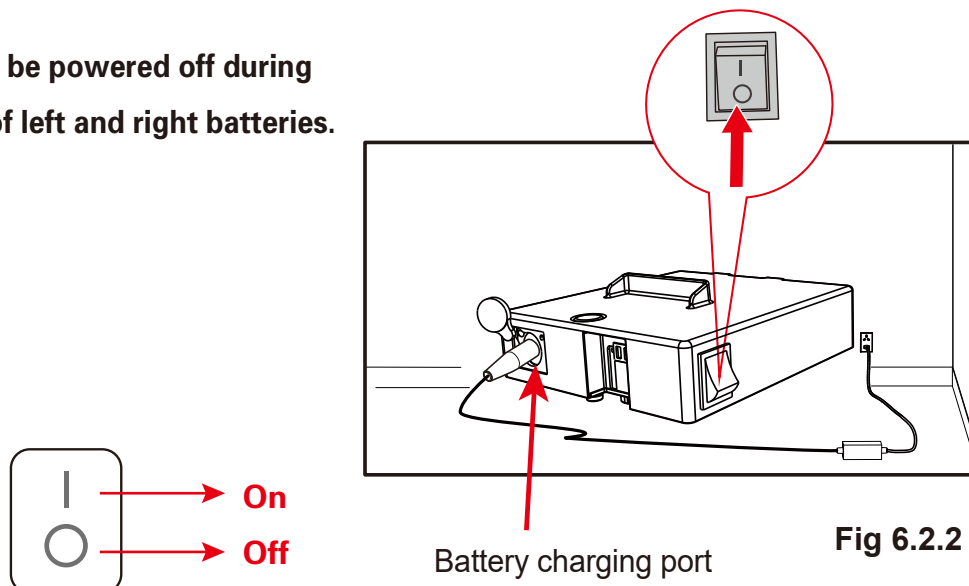
- Make sure you read and understand the battery charger's user manual, if supplied, as well as the safety notes on the charger.
- Turn off the powerchair's power.
- Decide on which charging socket to use -You have a choice of two charging sockets:
 1. Battery Box Socket (allows you to charge batteries 'off board' e.g. in your house) (Fig 6.2.1)
 2. Controller Charging Socket (saves you having to bend down to plug in charger) (Fig 6.2.2)



Note: Only one battery can be charged each time.
Press on "I" on the battery switch to charge the left battery,
and "O" to charge the right battery.
Left and right is determined by user's forward direction.

⚠ Attention:


The joystick must be powered off during
the change-over of left and right batteries.





Note: The button on the battery box should be "I" during the charging, i.e. charging with the power on.


 **WARNING:** Turn on the switch on battery box prior to charging.


- Put the charger plug into the outlet point.
- Do not switch on the battery charger until all the plugs are in position.
- The LED light on the battery charger will show amber while charging.
- The LED light on the battery charger will show green when batteries are fully charged.
- Turn off the mains power to the charger before removing the charger plug from charging outlet.


 **WARNING!** Risk of explosion and destruction of batteries if the wrong battery charger is used. Only ever use the battery charger supplied with your vehicle, or a charger that has been approved by PRIDE.

 **WARNING!** Do not use or store the battery near sources of heat such as a fire or heater.


 **WARNING!** Never attempt to open or disassemble the charger. If the battery charger does not appear to be working correctly, contact your authorized provider.


 **WARNING!** Do not use the battery if it generates odor or heat, or it appears abnormal in any way. If the battery is in use or being recharged, remove it from the power chair or plug out the charger immediately.


 **WARNING!** Risk of electric shock and damage to the battery charger if it gets wet. Always protect the battery charger from water and always charge in a dry environment.

 **WARNING!** Risk of short circuit and electric shock if the battery charger has been damaged. Never use the charger if it has been dropped or damaged.


06. BATTERY CHARGING


 **WARNING!** Never attempt to recharge the battery by attaching cables directly to the battery terminals without using the charging port.


 **WARNING!** Risk of electric shock and damage to the batteries- Never attempt to recharge the batteries by attaching cables directly to the battery terminals.


 **WARNING!** Risk of fire and electric shock if a damaged extension cable is used. Only ever use an extension cable if it is absolutely necessary. If you must use an extension cable, make sure it is in good condition.

WARNING! Risk of injury if using the powerchair during charging. Do not attempt to recharge the batteries and operate the powerchair at the same time. Do not sit in the powerchair while charging the batteries.

 **WARNING!** Chargers are selected precisely for particular applications and are especially matched to the type, size, and chemical formulation of specific batteries. For the safest and most efficient charging of your powerchair's batteries, we recommend using the charger supplied as original equipment with your product only.

 **WARNING!** Never attempt to disassemble the battery from the battery box or refit the battery. Contact your authorized provider.

 **WARNING!** If your battery charger has not been tested and approved for outdoor use, do not expose it to adverse or extreme weather conditions. Refer to the manual supplied with the battery charger for more information about allowed environment conditions for the battery charger

 **WARNING!** Never use or store the battery where it is exposed to high temperatures. Leaving the battery in a car on a hot day or in an area of direct sunlight such as window will reduce battery performance and shorten service life.

07. CARE & MAINTENANCE

Protect your power chair by having it checked regularly. We strongly advise you to have your powerchair checked at at least once a year by a qualified dealer, who will only use the correct spare parts. This periodic inspection will ensure you that the powerchair will function perfectly for years. There are a lot of things you can do yourself to keep your powerchair in optima condition. If you regularly check the wheelchair and perform (small) maintenance, this will extend the lifetime and increase the ease of use.

7.1 TYRES AND WHEELS

- Examine tyres periodically for wear and replace them as needed.
- Make sure the wheels can move freely without touching anything. The front wheel and fork should move freely to ensure a smooth ride.

7.2 MOTOR

- Is there any abnormal noise from the motor? Does the electromagnetic brake work properly?

7.3 CROSS FRAME

- Check that the cross frame of the wheelchair is in good condition. Make sure the wheelchair is easy to fold and un-fold.

7.4 BATTERY GAUGE

- Does the gauge move to green when switched 'ON'?
- Is the remaining power enough for you trip?

7.5 HORN BUTTON

- Is it working correctly?

7.6 UPHOLSTERY

- Check the textile for holes, cracks and worn spots.
- Check the upholstery-mounting grommets to make sure that they are all correctly aligned and secure.

7.7 CLEANING

- Clean the upholstery, chassis, plastic components, and non-electric parts on the powerchair regularly with a either a dry or moist cloth.
- Do not use water, oil or other chemical solutions to clean your powerchair. Be sure NOT to spray the powerchair with water as this can damage the electronic components. Please clean the powerchair by wiping it with either a dry or moist cloth.
- Please take the powerchair to an authorized dealer for repairs and adjustments. Improper adjustments could lead to accidents and powerchair malfunction.

7.8 UNIQUE IDENTIFICATION NUMBER

- Your powerchair has a unique identification number which is located at several different locatiions on the chassis and the battery box. This unique number will enable your authorized supplier to confirm with PRIDE if necessary, the age of your power chair and when it was purchased.

7.9 END OF USE



The symbol means that your product should be disposed of separately from household waste according the local law and regulations. At the end of the wheelchair life, take it to the designated recycling place. Sorting and recycling will help conserve natural resources, and ensure it is recycled in an environmentally friendly way.

Recycling of each part should be handled by a designated authorized recycling organization in accordance with local laws and regulations. As for plastic parts, frame and pipe parts, they can be handed over to professional recycling units for disposal after the end of use.

5-YEAR LIMITED WARRANTY

For five (5) years from the date of purchase, Pride will repair or replace at our option to the original purchaser, free of charge, any of the following parts found upon examination by an authorized representative of Pride to be defective in material and/or workmanship:

- Main Frame

3-YEAR LIMITED WARRANTY

For three (3) years from the date of purchase, Pride will repair or replace at our option to the original purchaser, free of charge, any of the following parts found upon examination by an authorized representative of Pride to be defective in material and/or workmanship:

- Fixed-position Seat Post

13-MONTH LIMITED WARRANTY (2-YEAR LIMITED WARRANTY IN CANADA)

For thirteen (13) months (two [2] years in Canada) from the date of purchase, Pride will repair or replace at our option to the original purchaser, free of charge, any of the following parts found upon examination by an authorized representative of Pride to be defective in material and/or workmanship. Any warranty claims for electronic assemblies may become void if damage results from the use of parts/accessories that are not Pride original parts and are not purchased through an authorized Pride provider:

Electronic Assemblies including:

- Charger Assembly
- Controller
- Joystick

Main Frame Assemblies, including:

- Metal Seat Framing

Other components, including:

- Electrical Harnesses
- Accessories
- Anti-tip Forks
- Front Riggings
- Bearings and Bushings
- Drivetrain
- Brakes (Electronic Function ONLY)
- Caster Forks
- Front Rigging Mounting Brackets

13-MONTH WARRANTY

Pride Batteries are covered by a thirteen (13) month warranty from the initial date of consumer purchase or rental. Pride Mobility will replace batteries supplied by Pride Mobility if found to be defective by an authorized Pride Provider.

NOTE: Gradual deterioration in performance of batteries due to being left in a discharged state, left in cold conditions for long periods of time, or worn out through heavy use are not covered.

NOTE: For Lithium-ion battery warranty information, refer to the Lithium Warranty Insert.

9.1 Controller Trouble Shooting

Buzzer Self-Diagnosis:

You can find out what the fault is from the number of buzzer sounds (with short intervals between two sequences of beeps). The following checking list is for the self-help purpose. Diagnose the issues by following the list first. Consult your authorized dealer if the problem persists.

FLASH CODE	FAULT	EFFECT ON THE POWERCHAIR	SOLUTION
1	Battery charge is too low or there is a bad connection.	Powerchair continues to drive.	<ul style="list-style-type: none"> ● Charge batteries. ● Check all battery wiring connections. ● Contact your service agent.
2	Bad connection to left handmotor.	Powerchair stops driving.	<ul style="list-style-type: none"> ● Check all connections between the motor and controller. ● Motor may be faulty and need replacing. ● Contact your service agent.
3	Faulty left hand motor wiring or a stall condition has been detected.	Powerchair stops driving.	<ul style="list-style-type: none"> ● Check all connections between the motor and controller. ● Motor may be faulty and need replacing. ● Contact your service agent.
4	Bad connection to right handmotor.	Powerchair stops driving.	<ul style="list-style-type: none"> ● Check all connections between the motor and controller. ● Motor may be faulty and need replacing. ● Contact your service agent.
5	Faultyright hand motor wiring or a stall condition has been detected.	Powerchair stops driving.	<ul style="list-style-type: none"> ● Check all connections between the motor and controller. ● Motor may be faulty and need replacing. ● Contact your service agent.
7	A Joystick fault is indicated.	Powerchair stops driving.	<ul style="list-style-type: none"> ● Make sure the Joystick is in the centre position before switching on the controller. ● Contact your service agent.
7 + 'S'	A communication fault is indicated.	Powerchair stops driving.	<ul style="list-style-type: none"> ● Make sure the Joystick cable is securely connected and not damaged. ● Contact your service agent.
8	Controller error.	Powerchair stops driving.	<ul style="list-style-type: none"> ● Check all wiring connections including main battery connections. ● The controller needs replacing. ● Contact your service agent.
9	Brake error.	Powerchair stops driving.	<ul style="list-style-type: none"> ● The electronic brakes have a bad connection or fault. ● Check the brakes and motor connections ● Also check the controller connections. ● Contact your service agent.
10	Excessive Voltage	Powerchair stops driving.	<ul style="list-style-type: none"> ● This is usually caused by poor battery connections. ● Check the battery connections.

9.2 Replace the Battery Once a Year.

You may purchase it from your authorized dealer.

9.3 Replace the Tire When Its Pattern is Worn to Half.

You may purchase it from your authorized dealer.

10.1 TRANSPORTATION AND STORAGE

- a) Ambient temperature range: -25°C — 50°C / -13°F — 122°F ;
- b) Relative humidity: $\leq 80\%$
- c) Atmospheric pressure range: 86kPa ~ 106kPa ;
- d) Can be transported in general transportation.

10.2 Operation

- a) Ambient temperature range: -5°C — 40°C / 23°F - 104°F ;
- b) Relative humidity: $\leq 85\%$
- c) Atmospheric pressure range: 86kPa ~ 106kPa ;

Distributed by:
Pride Mobility Products, Corp.
401 York Avenue
Duryea, PA 18642

