

ORNATE

SMALLER MOBILE CRUSHER

ORNATE Intelligent Equipment Co., Ltd.

Contact Phone Number:400-021-9169

Office Address:Shanghai, China

Workshop Address:Jining, Shandong, China



MOBILE CRUSHER MANUFACTURER

Support online factory inspection

ORNATE Intelligent Equipment Co., Ltd.

SMALLER MOBILE CRUSHER

Smaller Mobile Crusher is the perfect machine for all small to medium sized crushing projects, construction and demolition "waste" materials can be recycled on site, providing a great solution for builders, landscape gardening, recycling, demolition, infrastructure, relief aid and medium sized aggregate crushing applications.



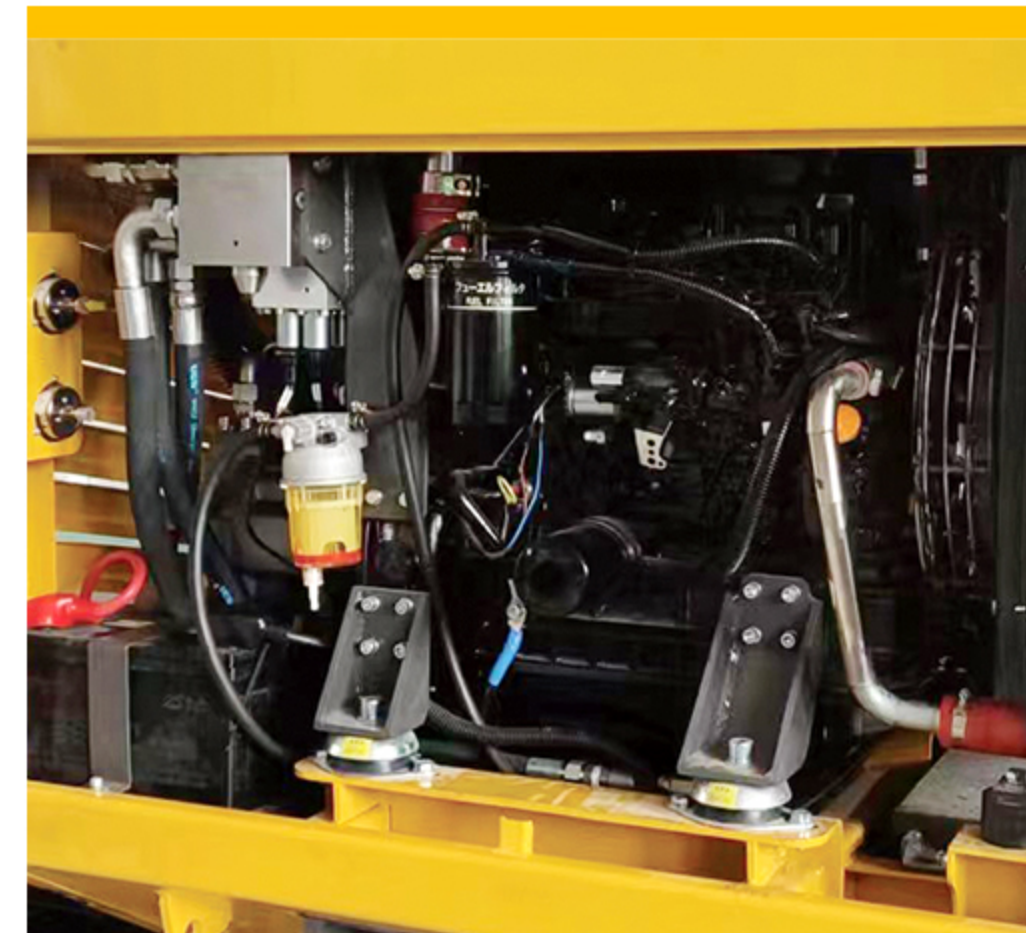
☉ Feed Hopper

The standard batching hopper facilitates quick feeding and is optional. Simple type, direct supply, making the crusher easy to crush quickly.



☉ Discharge conveyor belt

The herringbone structure of the conveyor belt greatly improves transportation efficiency. The conveying height can be adjusted according to the needs of the sliding hole to change the conveying height.



☉ Drive System

The hydraulic system with Yanmar Cummins engine as the main engine makes the power more efficient and energy-saving.



☉ Walking System

Unique crawler walking structure and luffing mechanism, steel and rubber crawler for choice, walking speed and slow two speed proportional control, easy to enter the narrow space for operation, very flexible.

PRODUCT DESCRIPTION

Made of wear-resistant steel plate, the service life is longer.

The broken cavity using "V"-shaped structure, so that the actual width of feed is same as nominal line width.

Hydraulic Product Conveyor

Hydraulic Adjust
Crusher Setting Gap

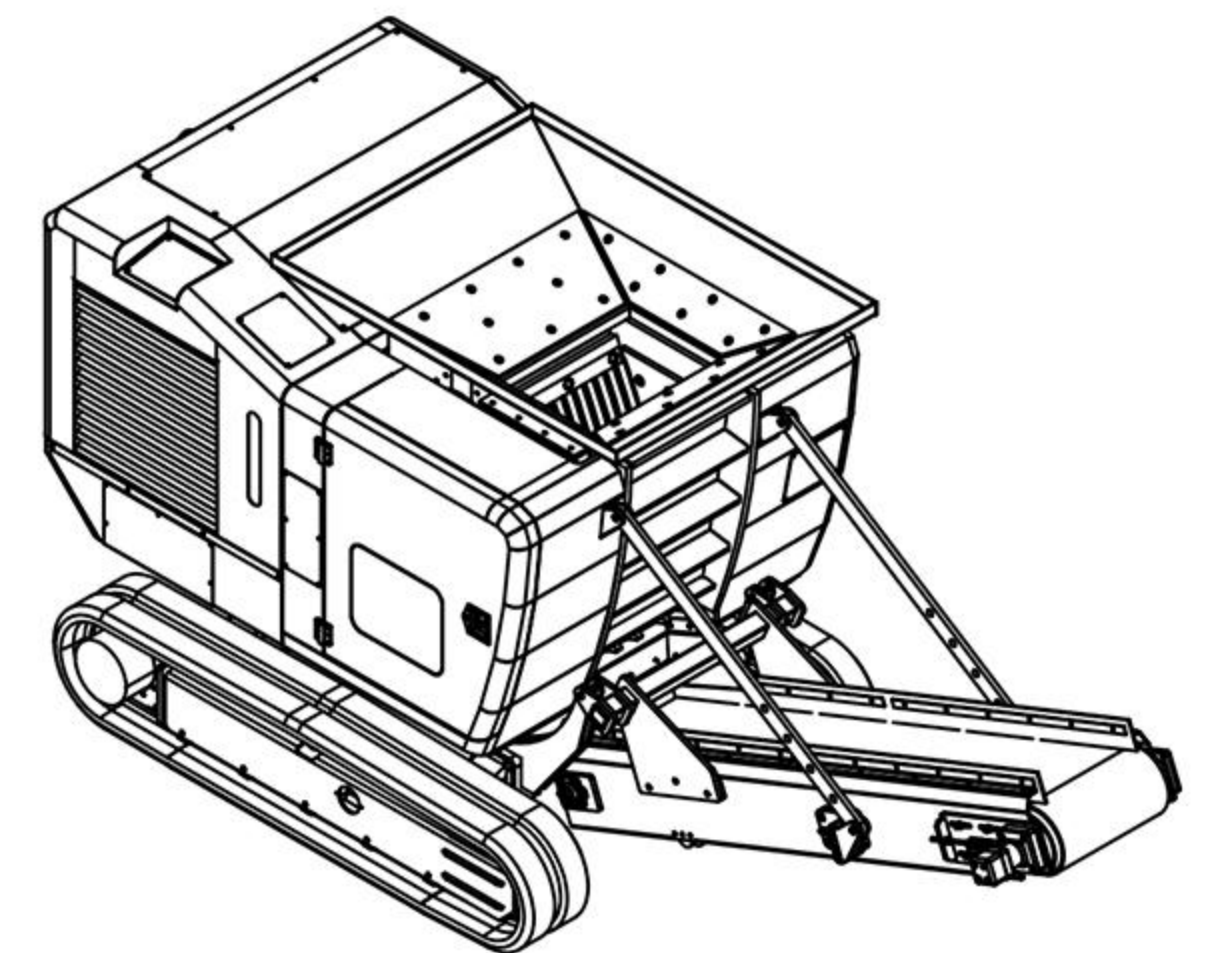
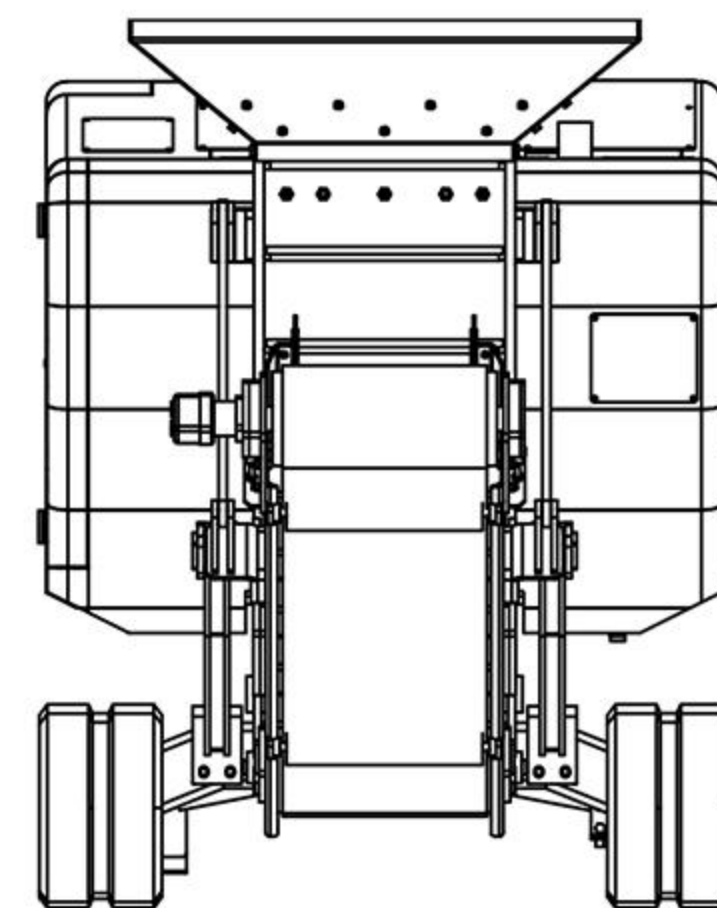
Rubber Tracked Undercarriage With
Radio Remote Control

Smaller Mobile Crusher is a new type of crusher that has been optimized in terms of structure, material selection, technology, and assembly. It has the characteristics of light weight, simple operation, durability and high efficiency.



ADVANTAGE

- Light structure, high fatigue resistance and strong impact resistance.
- Optimized cavity design, high output and large crushing ratio
- Small size, flexible, suitable for construction in small sites
- It has low noise and less dust and can be used in urban areas.



PRODUCT PARAMETER

OP35



MAIN TECHNICAL PARAMETERS

Model	OP35-EL
Dimensions(mm)	3801*1500*1932
Weight (kg)	4200
Throughput (t)	10-50
Feed port size(mm)	320*560
Output size(mm)	0-70
Maximum feed size(mm)	250
Feeding height(mm)	1932
Feed outlet height(mm)	1100
Conveyor belt width (mm)	500
Engine(kw)	Yanmar 37
Transmission	Crusher hydraulic driven
Motor	Parker
Appliance	Schneider/ABB
Material	Hardox, NM500,Q690

OP50



MAIN TECHNICAL PARAMETERS

Model	OP50-EL
Dimensions(mm)	4570*1820*2225
Weight (kg)	5300
Throughput (t)	20-60
Feed port size(mm)	450*590
Output size(mm)	0-70
Maximum feed size(mm)	380
Feeding height(mm)	2225
Feed outlet height(mm)	1250
Conveyor belt width (mm)	500
Engine(kw)	Cummins 93
Transmission	Crusher hydraulic driven
Motor	Parker
Appliance	Schneider/ABB
Material	Hardox, NM500,Q690

PRODUCT APPLICATION

Smaller Mobile Crusher is the ideal machine for recycling demolition waste. It will crush concrete, blocks, thermalite blocks, brick, tarmac, limestone, slabs, kerbstones and any other kind of rubble.



Cooperation brand

SMALLER MOBILE CRUSHER

